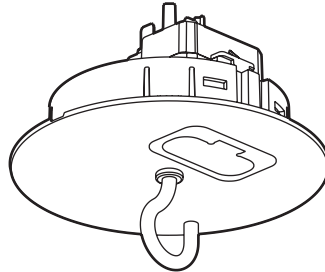


Modul'up™ Standard DCL socket

Cat. No(s): 0 885 20



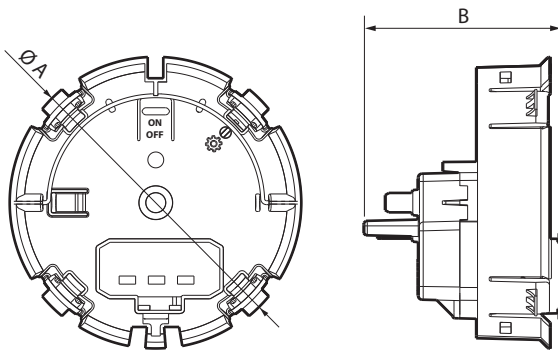
1. USE

The standard Modul'up DCL is a connection device for luminaires. In center point allows suspension up to 25 kg.

2. RANGE

Description	Reference
DCL socket to be equipped. Delivered with pin and shutter protection against splashing paint.	0 885 20

3. DIMENSIONS (mm)



Ø A	B
93	50.5

4. CONNECTION

Tool-free automatic connection by simply plugging into the Modul'up box (0 885 00).

5. TECHNICAL CHARACTERISTICS

■ 5.1 Mechanical characteristics

Protection against impacts: IK 04
 Protection against solid/bodies and liquids: IP 20

■ 5.2 Material characteristics

Casing: PC
 Base mechanism: PC
 Cover: ABS
 Hook: Steel
 UV resistance
 Halogen free
 Self-extinguishing:
 850° C / 30 s for insulating parts holding live parts in place
 650° C / 30 s for other parts made of insulating materials

■ 5.3 Electrical characteristics

2 P+E DCL socket:

Voltage: 250 V~
 Current: 6 A
 Power: 300 W

2 P+E DCL plug:

Voltage: 250 V~
 Current: 6 A
 Power: 75 W

■ 5.4 Climate characteristics

Storage temperature: - 10° C to + 70° C
 Use temperature: - 5° C to + 35° C

6. CARE

Clean the surface with a cloth.
 Do not use acetone, tar-removing cleaning agents or trichloroethylene.

Caution: Always test before using special cleaning products.

7. STANDARDS AND APPROVALS

Compliant with installation and manufacturing standards.
 See e-catalogue.