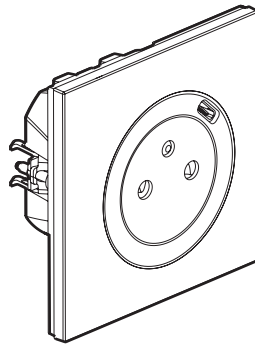


Neptune™ 2 P+E + USB Type C mixed socket outlet

Cat. No(s): 0 913 45



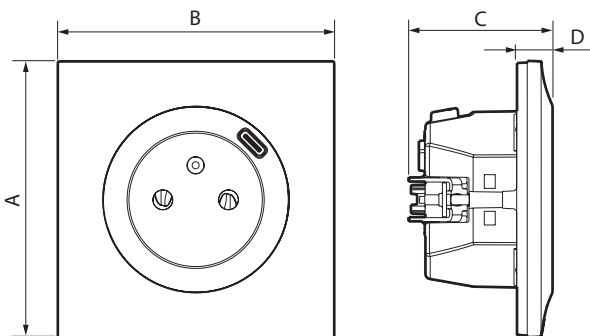
1. USE

2 P+E socket outlets with child protection.
 USB Type C socket: for recharging portable devices such as phones, smartphones, tablets, MP3, MP4, loudspeakers, watches, game consoles, powerbanks.
 Recessed mounting in box depth 40 mm min.
 Fixing with screws and/or claws.

2. RANGE

Description	White
Mixed socket outlet composed of: - 2 P+E socket flush surface - 16 A - 250 V~ - single USB socket - 5 V= - 1,5 A - 7,5 W Complete product - French standard	0 913 45

3. DIMENSIONS (mm)



A	B	C	D
80	80	41,5	10

4. CONNECTION

- **4.1 2 P+E socket outlet**
 Type of terminals: automatics
 Terminal capacity: 6 x 2,5 mm²
 Stripping length: 11 mm
 Flexible or rigid cables compatible
- **4.2 Type C USB socket**
 Prewired socket

5. TECHNICAL CHARACTERISTICS

■ 5.1 Mechanical characteristics

Protection against impact: IK 04
 Protection against solid bodies and liquids: IP 40

■ 5.2 Material characteristics

Colour: - White RAL 9003
 Material: - Plate: ABS
 - Mechanism casing: PC
 - Cover plate: PC
 - Claws: Steel

Halogen-free
 UV-resistant

Self-extinguishing:
 850°C/30 s for insulating components holding live parts in place
 650°C/30 s for other insulating components.

■ 5.3 Electrical characteristics 2 P+E socket

Voltage: 250 V~
 Current: 16 A
 Frequency: 50/60 Hz

■ 5.4 Electrical characteristics USB socket

Integrated surge protection

All values listed below are measured at an ambient temperature of + 25° and after 15 minutes of operation.

Connector	USB Type C
Nominal input voltage	100-240 V~
Nominal input frequency	50-60 Hz
Nominal input current	200 mA
Stand-by power consumption	0.07 W - 0.075 mA
Average active efficiency	82 %
Nominal output voltage	5 V=
Nominal output current	1.5 A
Efficiency can meet energy star level "VI"	
Protection class	II - Low voltage

■ 5.5 Climate characteristics

Storage temperature: -10°C to +70°C
 Use temperature: -5°C to +35°C

6. CLEANING

Surface cleaning with a cloth.
Do not use: acetone, tar remover, trichlorethylene.

Caution: Always test before using other special cleaning products.

7. STANDARDS AND APPROVALS

Compliant with installation and manufacturing standards.
See e-catalogue.