

# Lighting kit

Cat. No(s): 0 363 79 - 0 363 81/82/83/84 - 0 482 32/33

## CONTENTS

Page

1. General characteristics	1
2. Range	1
3. Technical characteristics	1
4. Dimensions	3
5. Standards and approvals	3
6. Accessories	3



## 1. GENERAL CHARACTERISTICS

- Lighting kits can be integrated in the whole range of industrial enclosures: in metal Atlantic cabinets, stainless steel Atlantic cabinets, Marina cabinets, Marina enclosures, Altis one-piece and extendable enclosures.
- Lighting kits are mainly designed with LED technology: lower consumption and costs, less impact on the environment and longer life, etc.  
The kits offer a varied choice of additional functions: socket, switch, motion sensor or cable according to the chosen catalogue number.

## 2. RANGE

	0 482 32/33	0 363 81	0 363 84	0 363 82/83
Switch	-	-	✓	-
Socket	✓	-	-	✓
Motion sensor	-	✓	-	✓
Swivel	-	120° ✓	60° ✓	✓
Cable	-	✓	✓	✓
Fixing	Screws	Screws or magnet	Screws	Screws

## 3. TECHNICAL CHARACTERISTICS

### 3.1 Installation

Selection chart

Products/ Cat. No.	0 482 32/33	0 363 81	0 363 84	0 363 82/83
Metal Atlantic cabinet, st. steel Atlantic	Width ≥ 500 mm ✓	Width ≥ 500 mm ✓	Width ≥ 500 mm ✓	Width ≥ 500 mm ✓
Marina cabinet	Width ≥ 500 mm ✓	Width ≥ 500 mm ✓	Width ≥ 500 mm ✓	Width ≥ 500 mm ✓
Marina enclosure	✓	✓	✓	✓
Extendable Altis	✓	✓	✓	✓
One-piece Altis	✓	✓	✓	✓

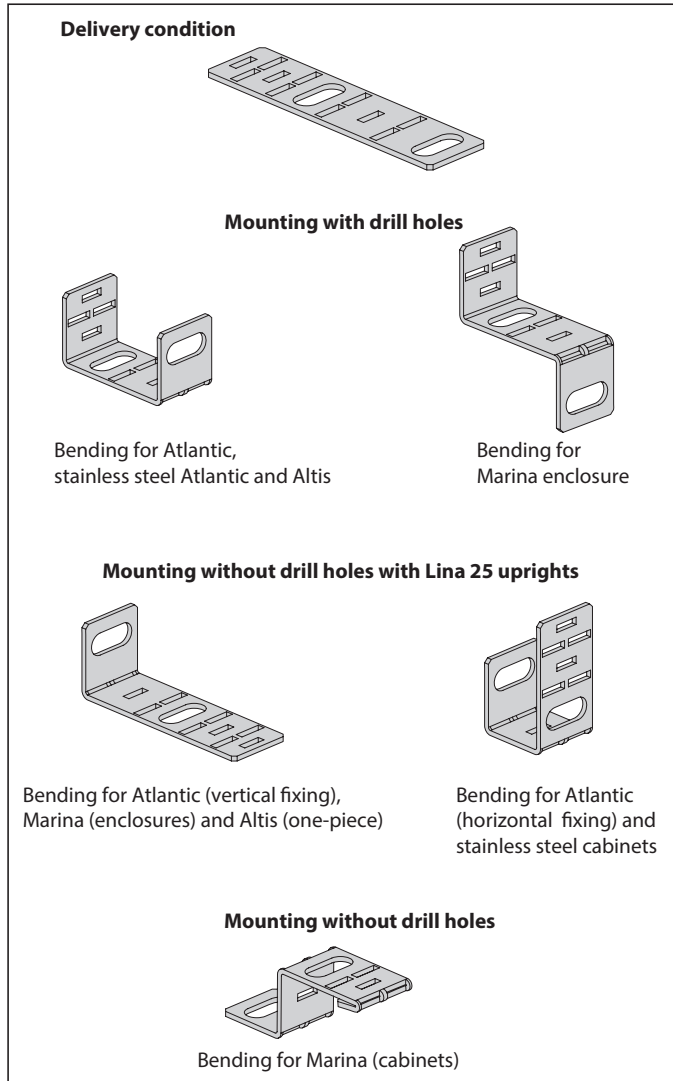
Mounting configuration in enclosures

Atlantic cabinet	-	0 363 81	0 482 32/33 0 363 81 0 363 84 0 363 82/83	0 482 32/33 0 363 81 0 363 84 0 363 82/83
St. steel Atlantic cabinet	-	-	0 482 32/33 0 363 81 0 363 84 0 363 82/83	0 482 32/33 0 363 81 0 363 84 0 363 82/83
Marina cabinet	-	-	0 482 32/33 0 363 81 0 363 84 0 363 82/83	0 482 32/33 0 363 81 0 363 84 0 363 82/83
Marina enclosure	-	-	0 482 32/33 0 363 81 0 363 84 0 363 82/83	0 482 32/33 0 363 81 0 363 84 0 363 82/83
Extendable Altis enclosure	0 482 32/33 0 363 81 0 363 84 0 363 82/83	0 363 81	0 482 32/33 0 363 81 0 363 84 0 363 82/83	-
One-piece Altis enclosure	-	0 363 81	0 482 32/33 0 363 81 0 363 84 0 363 82/83	0 482 32/33 0 363 81 0 363 84 0 363 82/83

### 3. TECHNICAL CHARACTERISTICS (continued)

Lighting kits are fixed with screws using a set of two fixing brackets Cat. No. 0 363 79 to be ordered separately except for kit Cat. No. 0 363 84 (fixing brackets supplied) or can be attached with a magnet Cat. No. 0 363 81.

This fixing kit Cat. No. 0 363 79 consists of a set of two brackets supplied flat, to be bent to suit the mounting requirements and the enclosure range concerned, see the installation instructions for more details.



#### Mounting types in enclosures:

**Example 1:** Metal and stainless steel Atlantic cabinet, Marina and One-piece Altis enclosure

- With fixing kit Cat. No. 0 363 79 and drilled holes in the enclosure.
- With fixing kit Cat. No. 0 363 79, without drilled holes in the enclosure, using Lina 25 uprights to be ordered separately
- Magnet-fixing with Cat. No. 0 363 81 except for stainless steel cabinet and Marina enclosure.

**Example 2:** Marina cabinet





- With fixing kit Cat. No. 0 363 79, without drilled holes in the enclosure, brackets clipped in place behind the cabinet roof.
- With fixing kit Cat. No. 0 363 79, without drilled holes in the enclosure, using Lina 25 uprights to be ordered separately.

**Example 3:** Extendable Altis enclosure

- With fixing kit Cat. No. 0 363 79, without drilled holes in the enclosure
- Screw-fixing directly onto the enclosure structure
- Magnet-fixing with Cat. No. 0 363 81

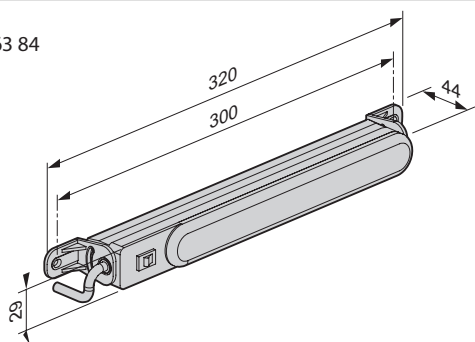
### 3. TECHNICAL CHARACTERISTICS (continued)

#### 3.2 Technical data

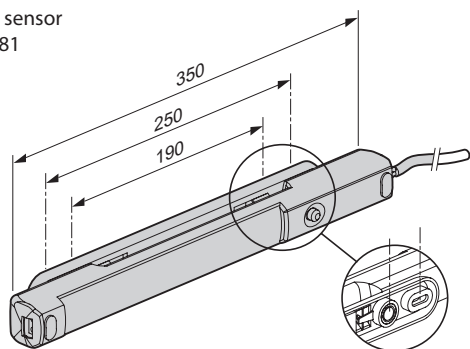
				
Colour (RAL)	7035	7035	7035	7035
Material	ABS/PC UL 94 V0	PC UL 94 V0	Housing ABS V0 Cap PC V2	PC
Fire resistance	850°C 30"	650°C 30"	650°C 30"	650°C 30"
Class I/II	I	II	II	I
IP	20	20	20	20
IK	6	6	6	6
Usage temperature (°C)	-20 to +50	-30 to +60	-30 to +40	-30 to +40
Storage temperature (°C)	-45 to +70	-40 to +85	-40 to +70	-40 to +85
Lamp life (hrs)	6000	50000	50000	50000
Lamp type	FLUO	LED	LED	LED
Lamp holder	2G7	-	-	-
Lamp power (W)	11	5	3	11
Light intensity (Lux) at 450 mm	415	600	610	1500
Light intensity (Lux) at 700 mm	215	310	330	710
Light intensity (Lux) at 1950 mm	37	55	60	130
2P+E socket	0 482 32 French/ Belgian 0 482 33 German	No	No	0 363 82 French/ Belgian 0 363 83 German
Sensor (Lighting time in min)	No	Yes (6)	No	Yes (5)
Connection	2.5 mm <sup>2</sup> 3-pole screw terminal with cable grip with 0.8 Nm max. tightening torque	Cable supplied (2 m)	Cable supplied (2 m)	Cable supplied (2 m)
Series connection	No	Yes ≤12	No	No
Voltage (V)	230	230	230	230
Frequency (Hz)	50/60	50/60	50/60	50/60
Dissipated power (W)	11	6	5	11
Fixing	Screws	Screws/ Magnet	Screws	Screws
Installed position	Horizontal or vertical	Horizontal or vertical	Horizontal or vertical	Horizontal or vertical

## 4. DIMENSIONS

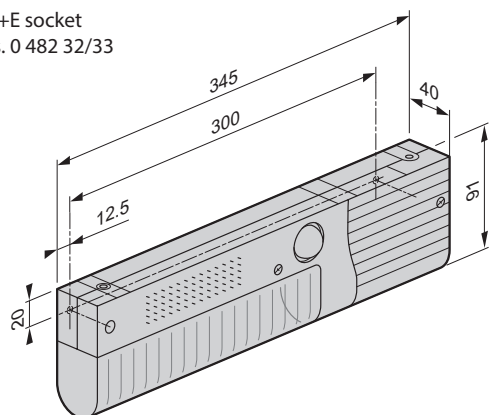
With switch  
Cat. No. 0 363 84



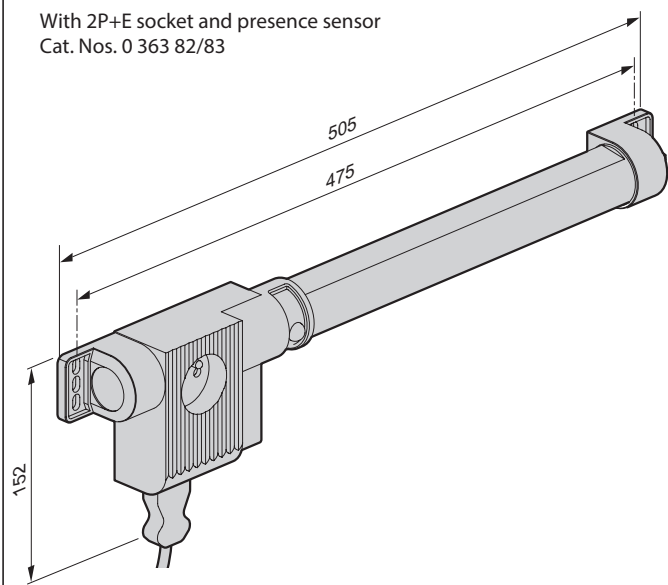
With presence sensor  
Cat. No. 0 363 81



With 2P+E socket  
Cat. Nos. 0 482 32/33



With 2P+E socket and presence sensor  
Cat. Nos. 0 363 82/83



## 5. STANDARDS AND APPROVALS

- EN 60598-1.1
- IEC 62 031
- Cat. No. 0 363 81 c UL-approved in USA

## 6. ACCESSORIES

Possible to add a door contact which can for example, as soon as the cabinet or enclosure door opens, cut power to the lighting thermal management and power supply devices. Cat. No. 0 363 13 for metal Atlantic cabinets, stainless steel Atlantic and Marina cabinets Cat. No. 0 476 28 for Altis enclosures



The door contacts are not compatible with Cat. Nos. 0 363 82/83.