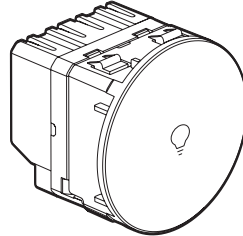


## Céliane™ Touch-sensitive switch or two-way switch with neutral - 1000 W

Cat. No(s): 0 670 17/18/19



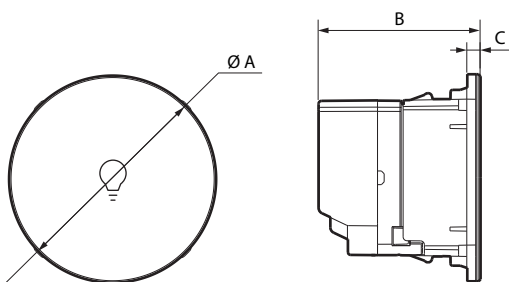
### 1. USE

Touch-sensitive flush switch or two-way switch with neutral.  
Switches the light on or off by simple contact anywhere on the surface of the cover plate.  
Indicator and illuminated functions incorporated by LED backlighting.  
Mechanism supplied with cover plate.  
For installation in a box depth 40 mm min.

### 2. RANGE

Designation	White	Titane	Graphite
Touch-sensitive flush switch or two-way switch with neutral	0 670 46	0 670 47	0 670 48

### 3. DIMENSIONS (mm)

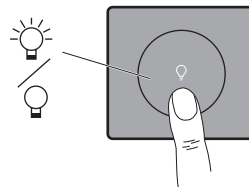


Ø A	B	C
53	41.5	3.5

### 4. CONNECTION

Type of terminals: with screws  
Terminal capacity: 1 ... 4 mm<sup>2</sup>  
Stripping length: 8 mm

### 5. FUNCTION



### 6. TECHNICAL CHARACTERISTICS

#### ■ 6.1 Mechanical characteristics

Protection against solid/bodies and liquids: IP 20  
Impact tests: IK 02

#### ■ 6.2 Material characteristics

Base: PC

Rocker: White ABS RAL 9003  
Painted Titane ABS  
Painted Graphite ABS

Halogen-free  
UV-resistant

Self-extinguishing:  
850°C/30 s for insulating components holding live parts in place.  
650°C/30 s for other insulating components.

















## Touch-sensitive switch or two-way switch with neutral - 1000 W

### 6. TECHNICAL CHARACTERISTICS *(continued)*

#### ■ 6.3 Electrical characteristics

Voltage: 100-240 V~

Frequency: 50/60 Hz

	R		L		C/L			
								
								
200 - 240 V~	1000 W	1000 W	700 VA	700 VA	250 W	250 W	250 W	4 A (PF ≥ 0.6)
100 - 200 V~	400 W	400 W	300 VA	300 VA	100 W	100 W	100 W	

#### ■ 6.4 Climate characteristics

Storage temperature: - 10°C to + 70°C

Usage temperature: 0°C to + 35° C

### 7. CLEANING

Surface cleaning with a cloth.

Do not use: acetone, tar remover, trichloroethylene.

**Caution:** Always test before using other special cleaning products

### 8. STANDARDS AND APPROVALS

Compliant with installation and manufacturing standards

See e. catalogue.