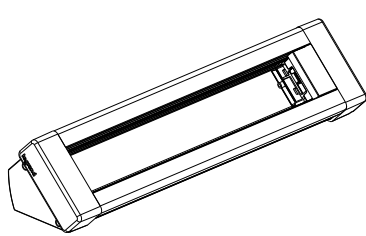
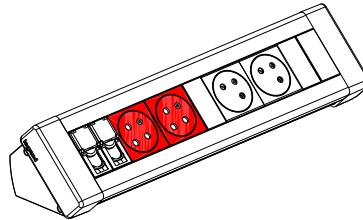


Incara™ On Desk

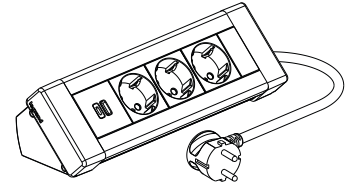
Cat. No(s) : 0 546 02 to 14/17 - 0 546 90 to 92/99 - 6 535 65 to 68



0 546 91



0 546 06



6 535 67

1. USE

Equipped, to be equipped or assembled on demand, Incara On Desk provides flexibility and ease of use to mobile or sedentary workers.

With its sleek design and small footprint, the On Desk fits in any furniture configuration and is easy to install, close to the user with no drilling required.

■ 2.1 Incara™ On Desk empty to be equipped

2. RANGE

Cat. Nos	Dimensions L x l x h (mm)	Functions
0 546 90	254,5 x 90 x 80	
0 546 91	344,5 x 90 x 80	
0 546 92	434,5 x 90 x 80	

2. RANGE (cont.)

■ 2.2 Incara™ On Desk prewired

Power socket connection on terminal block with cable retainer RJ45 to be wired

Cat. Nos	Dimensions L x l x h (mm)	Functions
French standard 0 546 02	299,5 x 90 x 80	
French standard 0 546 03	389,5 x 90 x 80	
French standard 0 546 04	254,5 x 90 x 80	
French standard 0 546 05	322 x 90 x 80	
French standard 0 546 06	344,5 x 90 x 80	
French standard 0 546 07	457 x 90 x 80	

2. RANGE (cont.)

■ **2.3 Incara™ On Desk with cords**

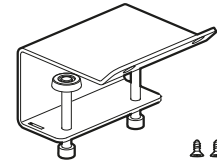
Supplied with 3m cord.
RJ45 to be wired

Cat. Nos	Dimensions L x l x h (mm)	Functions
French standard 0 546 08	299,5 x 90 x 80	
German standard 6 535 65	277 x 90 x 80	
French standard 0 546 09	389,5 x 90 x 80	
German standard 6 535 66	367 x 90 x 80	
German standard 6 535 68	322 x 90 x 80	
French standard 0 546 10	299,5 x 90 x 80	
French standard 0 546 11	389,5 x 90 x 80	
French standard 0 546 12	367 x 90 x 80	
French standard 0 546 17	254,5 x 90 x 80	
German standard 6 535 67		
French standard 0 546 14	322 x 90 x 80	
French standard 0 546 13	254,5 x 90 x 80	

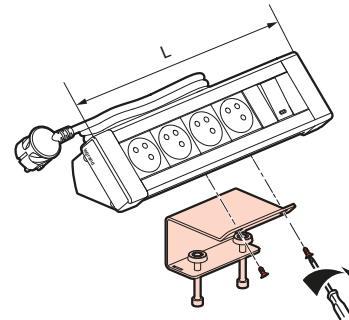
3. INSTALLATION

■ **3.1 Installation on the table top**

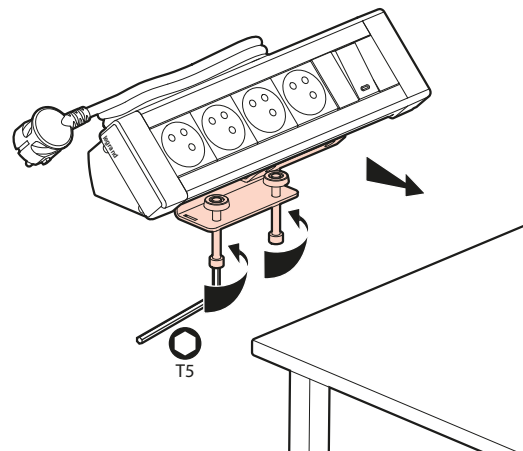
Use fixing accessory cat. no 0 546 99



If L > 400 mm, use 2 x 0 546 99



This accessory allow fixing on a desk with 6 to 40 mm depth.



The product includes adhesive protections for desk surfaces.

Material characteristics :

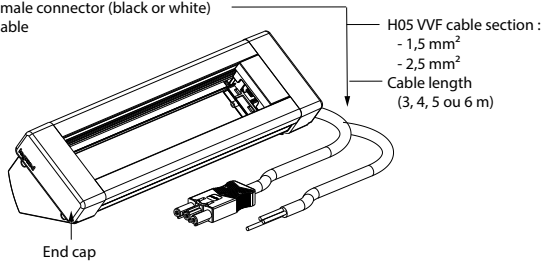
- Steel (painted grey)
- Polyamide
- Elastomer

4. ON DEMAND

■ 4.1 On Desk selection

Connection :

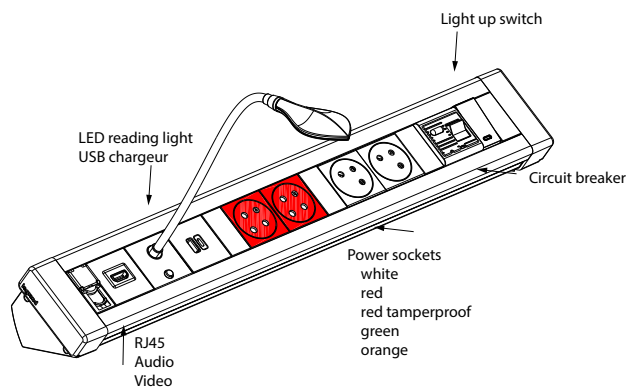
- without cable
- cord with 2P+E sockets
- cord with male connector (black or white)
- stripped cable



The length of the unit varies depending on the quantity of functions needed.

Compatible with 2 power lines (e.g. main & UPS).

■ 4.2 Functions selection



5. GENERAL CHARACTERISTICS

■ 5.1 Material characteristics

Standard product or on demand, natural anodized aluminium
End caps : white ABS
Cable grip : ABS
Terminal blocks : Polypropylene
Light switch : white PC

■ 5.2 Electrical characteristics

5.2.1 2 P+E Plug characteristics

16A-250V~50/60 Hz, 3680W Max - 230V~

5.2.2 USB charger characteristics :

refer to the technical data sheet of USB chargers cat. no 0 775 70L

5.2.3 Cords characteristics :

If delivered with cord :

Cable type : 3 meters H05 VVF 3G 1.5 mm²
Plug type : 2P+E angled plug

If not delivered with cord :

Possibility to connect with :
H05 VVF 3G 1.5 mm² or 3G 2.5 mm² (2 outputs max)

■ 5.3. Climate characteristics

Operating temperature from -5°C to +35°C
Storage temperature from -10°C to +70°C

6. CARE

Superficial cleaning with a soft cloth. Do not use abrasive products or detergents.

Caution: Always test before using other special cleaning products.

7. STANDARDS & APPROVALS

compliant to: NF C61-314 et IEC 60884-1
USB Charger compliant to : IEC 62368-1