

Connected electric vehicle charging stations Green'up Home

Cat. No(s): 0 570 01/02/03/04/07
 0 570 21/22/30/31/32/35/37
 GUH057003 - GUH057030



SUMMARY	Page
1. Use.....	1
2. Range	1
3. Technical characteristics	1
4. Connection.....	2
5. Dimensions and weights.....	3
6. Care	3
7. Standards and regulations	3
8. Other informations	3

1. USE

The Green'up Home electric vehicle charging station allows charging of vehicles in Mode 3 or Mode 2 + Mode 3. It is natively connected to the Home + Control app and enables:

- remote charging control (Start and Stop),
- programmable charging schedule (day/hour),
- electricity consumption report (real-time and historic)
- to receive status change notifications

Connection to the home Internet network is possible via RJ45 cable or Wi-Fi, in this case, the firmware update will be automatic. A Bluetooth connection with a smartphone with network access will allow a manual firmware updates

It is suitable for residential use or small commercial premises and can be installed indoors or outdoors, directly on the wall or on the floor thanks to the metal pedestal Cat.No 0 570 57, alone or back-to-back.

2. RANGE

2.1 References

Power setting	Protection supplied	Type of load	
		Mode 3	Mode 2 + Mode 3
Single-phase 3.7kW - 16A	Yes	-	0 570 03 - GUH057003
	No	-	0 570 30 - GUH057030
Single-phase 7.4kW - 32A	Yes	0 570 01	0 570 04
	No	0 570 21	0 570 31/35
Three-phase 22kW - 32A	Yes	0 570 02	0 570 07
	No	0 570 22	0 570 32/37

Metal pedestal for mounting 1 or 2 charging station(s): 0 570 57

Connector details:

- For Mode 3 load: Type T2s socket (three-phase or single-phase depending on the version) equipped with a locking system with plots compliant to IEC62196-1 et IEC 62196-2. Use only a manufacturer-approved plug with silver-plated contacts.
- For Mode 2 load: Type E/F domestic socket 2P+E (16A-250V - 16A VE) with magnetic presence detection for Green'Up plug compliant with NF C 61-314 and IEC 60884-1. Use of extension and adapter prohibited

LEDs details :

A LED bar is visible on the front, providing a status report of the charging station

- green : ready to charge
- blue : charging
- red : faulty

The intensity and operating mode of the indicators are customizable in the Home + Control app.

Example: the LEDs are set to turn off when the charging station is not in use

2.2 Delivery status

Cat.Nos	Protection supplied	Mounted cable glands
0 570 03 - GUH057003	Yes	ISO 32 4-entry cable gland + ISO 25 membrane gland
0 570 30 - GUH057030	No*	
0 570 01/04	Yes	ISO 32 4-entry cable gland + ISO 25 cable gland + ISO 25 membrane gland (to be mounted)
0 570 21/31/35	No*	
0 570 02/07	Yes	ISO 32 4-entry cable gland + ISO 32 cable gland (to be mounted) + ISO 25 membrane gland
0 570 22/32/37	No*	

* : see p. 2 for recommended protections to install

3. TECHNICAL CHARACTERISTICS

3.1 Mechanical characteristics

- Protection against impacts: IK 10
- Protection against solid bodies/liquids: IP 55
- Mode 3 socket plugged-in: IP55
- Mode 2 socket plugged-in: IP54

3.2 Material characteristics

- Charging stations colour: two-tone RAL 7016 + RAL 9005
- Front: Polycarbonate RAL 7016
- Cover: Polycarbonate - RAL 9005
- Base: Polycarbonate - RAL 7016
- Support: 304L stainless steel sheet 20/10
- Pedestal : Steel DC01 - Primer coat + paint RAL 7016
- Resistance to incandescent wire: compliant IEC 61439-1, chapter 10.2.3.2.1

3. TECHNICAL CHARACTERISTICS (continued)

■ 3.3 Electrical characteristics

	Charging stations	
	Ph + N	3 Ph + N
Operating voltage (Ue) determined at 20°C	230 V~	400 V~
Impulse voltage (Uimp)	4 kV	
Insulation voltage (Ui)	230 V	500 V
Frequency (fn)	50 Hz/60 Hz	
Rated voltage	230 V	400 V
Voltage tolerance (V) Regardless of vehicle requirements	195 V - 265 V	
Conditional short-circuit	4.5kA / 6kA / 10kA according to upstream protection device	
Allowable thermal stress in DC	16 000 A ² s	

TNS, TT, compatible earthing system.

In the event of an IT earthing system, this can be changed locally by adding an isolating transformer.

Built-in residual current circuit breakers: 6mA DC fault current detection

Built-in overload detection

■ 3.4 Operation of the charging station communication

Connected mode (automatic firmware update)

WiFi technology: 2.4 GHz, range 100m in open field

Residential and private Wi-Fi, type A B G N (not compatible with open Hotspot networks) or via Ethernet cable category 5 F/UTP minimum, maximum length 100m

Non-connected mode

Bluetooth BLE: range 10m in open field

Updating the charging station in this configuration (non-connected station) requires at least access to a 4G/5G, Wi-Fi, or IP connection with the smartphone

■ 3.5 Electromagnetic compatibility

General interference classification: IEC 61000-6-1 and IEC 61000-6-3 criteria A

EMC : IEC 61851-21-2

- Immunity to electrostatic discharge (IEC 61000-4-2):
± 8kV in air / ± 4kV on contact criteria B

- Immunity to fast transients (IEC 61000-4-4) :
± 2kV on command / ± 4kV on power criteria A

- Immunity to lightning shock waves (IEC 61000-4-5) :
± 2kV differential mode criteria A on power
± 4kV common mode criteria A on power
± 1kV coupling clamp criteria A on command

- Immunity to magnetic fields (IEC 61000-4-8) : 100A/m

- Immunity to voltage dips (IEC 61000-4-11 / IEC 61000-4-34) :
0% residual voltage for 250/300 cycles at 50/60Hz criteria C ,
0% residual voltage for 1 cycle at 50/60Hz criteria B,
70% residual voltage for 25/30 cycles at 50/60Hz criteria B,
40% residual voltage for 10/12 cycles at 50/60Hz criteria B.

- Immunity short interruption: IEC 61851-21-2

- Immunity to Conducted RF fields:

IEC 61000-4-6: 10V/m from 0.15 MHz to 80MHz, 80% AM - 1KHz criteria A
ETSI301489-1 ; 3V/m criteria A

- Immunity to earth measurement signal from vehicle (ZOE type):

Peak 1.5 to 2 ms 20 mA peak for 30 s in state C1 according to IEC 61851-1
(ZE READY specification)

- Immunity to electromagnetic fields radiated at radioelectric frequencies:

IEC 61000-4-3: 10V/m from 80 MHz to 6 GHz criteria A
ETSI301489-1 : 3V/m criteria A

■ 3.6 Climate characteristics

Operating temperature: -30° C to + 50° C

Storage temperature: -25° C à + 70° C

Indoor or outdoor installation

UV resistant according to ISO 4892-2 Weatherometer test 750 h Method A

4. CONNECTION

Some charging stations are supplied with the necessary protection to meet installation standards.

Below are the recommended protections to install for versions delivered without protection:

- Type E or F socket protection: built-in in all charging stations with this type of socket

- Specified upstream RC protection:

30mA Type A or F for single-phase terminals (1 phase + N)

30mA Type F for three-phase terminals (3 phases + N)

Or according to local regulations 30mA Type F for all the charging terminal.

- Specified overcurrent protection:

for charging station with 16A current strength: MCB 20A C curve

for charging station with 20A current strength: MCB 25A C curve

for charging station with 25A current strength: MCB 32A C curve

for charging station with 32A current strength: MCB 40A C curve

- Shunt trip: 12 V to 48 V

Safety command (output signal): by 12 V_{DC} pulsed signal controlling a shunt trip Cat. No. 4 062 76 on upstream protection device

Command for external control (input signal): By volt-free contact, contact voltage 12 V_{DC}, controlling charging authorisation on peak/off-peak terminal block (can be overridden) or on On/Off terminal block (cannot be overridden)

The charging station metal pedestal enables installation of a junction boxes up to 130 x 130 mm or a Plexo³ terminal shield boxes up to 4 modules

Supply connection:

Phase/Neutral/Earth on rigid 2.5 to 10 mm² automatic terminals H07 V R/U or flexible terminals H07 V K with ferrules.

Charging terminal permanently connected to the AC power supply network.

TIC connection:

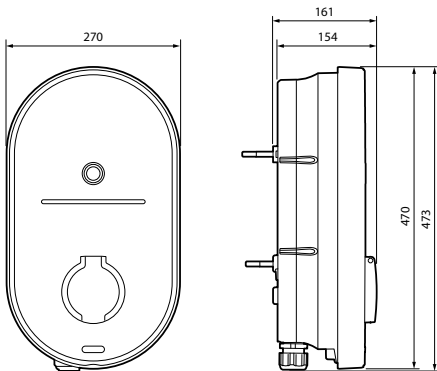
The charging station is compatible with both standard TIC and historical TIC with a maximum length of 100m

Ethernet network connection:

Connection possible via Ethernet cable category 5 F/UTP minimum, maximum length 100m

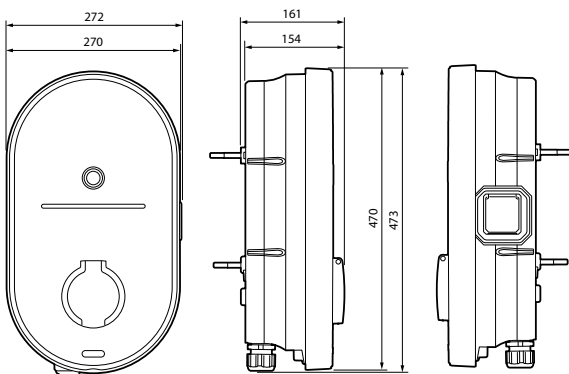
5. DIMENSIONS AND WEIGHTS

Mode 3



0 570 01 : 4 kgs
0 570 21 : 3.6 kgs
0 570 02 : 3.9 kgs
0 570 22 : 3.9 kgs

Mode 2 + Mode 3



0 570 03 : 4.4 kgs
0 570 30 : 4 kgs
0 570 04 : 4.4 kgs
0 570 31 : 4 kgs
0 570 07 : 4.4 kgs
0 570 32 : 4.4 kgs
0 570 35 : 4 kgs
0 570 37 : 4.4 kgs

6. CARE

Caution : Always test before using special cleaning products.

Resistant to the following products: 96% Ethanol, Ethylene glycol, Fuel, Hexane, 5W40 motor oil, Ergacid 1% solution, Ergagem 1% solution, white spirit.
Do not use 30% sulfuric acid

Clean the surface with a cloth with soapy water, diluted ammonia, bleach diluted to 10%, window-cleaning products, pre-impregnated wipes

The maintenance guide is available in the installation guide

7. STANDARDS AND REGULATIONS

Electric vehicle charging stations are designed in compliance with the following standards:

- IEC 61851-1: Product standard for conductive charging systems for electric vehicles
- NF C 15-100: Low voltage electrical installation standard
- UTE C 17-722 guide: Installations for supplying electric or plug-in hybrid vehicles through socket outlets
- IEC 60364-7-722: Requirements for installations and special locations for electric vehicles

EV Ready 2.0 compliant

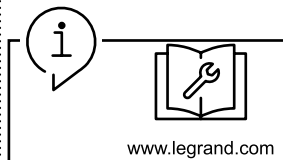
REACH compliant

RoHS compliant

RED : ETSI EN 300 328 - V2.2.2 : 2019



8. OTHER INFORMATIONS



Installer guide : mounting informations, equipments, accessories, spare parts and maintenance guide available on e-catalogue

PEP sheet : available on e-catalogue