

CONTENTS	Page
1. Description .....	1
2. Range .....	1
3. Overall dimensions .....	1
4. Technical characteristics .....	1
5. General characteristics .....	2
6. Assembly .....	2
7. Accessories .....	3

### 1. DESCRIPTION

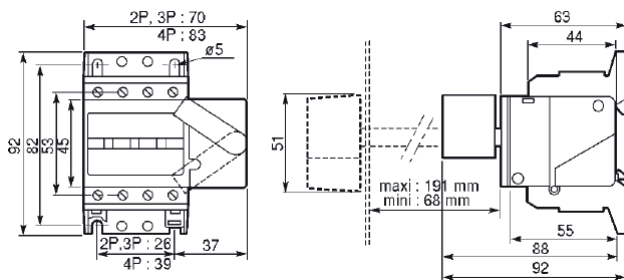
Safety isolating switch for load breaking, with clearly visible isolation and positive contact action  
Double phase breaking by self-cleaning contacts with rapid make and break actions

### 2. RANGE

Refs.	Numb of poles	Numb of modules	Command	Handle
0 223 00	3	4	Front	Red + yellow beastplate
0 223 02	4	5	Front	Red + yellow beastplate
0 223 05	3	4 + 3.5	Lateral	Red + yellow beastplate
0 223 07	4	5 + 4.5	Lateral	Red + yellow beastplate
0 224 98	2	4	Front	Black
0 225 00	3	4	Front	Black
0 225 02	4	5	Front	Black
0 225 03	2	4 + 3.5	Lateral	Black
0 225 05	3	4 + 3.5	Lateral	Black
0 225 07	4	5 + 3.5	Lateral	Black

### 3. OVERALL DIMENSIONS

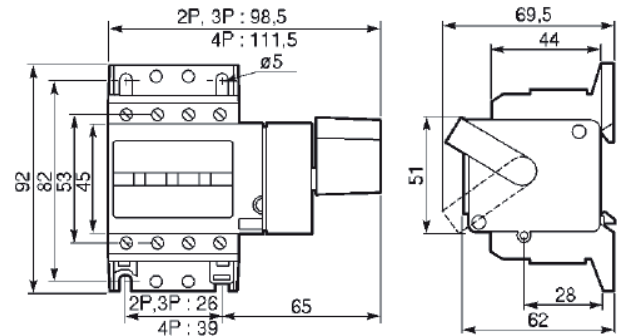
#### ■ 3.1 Front command



	Weight (kg)
2 poles	0.220
3 poles	0.240
4 poles	0.290

### 3. OVERALL DIMENSIONS

#### ■ 3.2 Lateral command



	Weight (kg)
2 poles	0.300
3 poles	0.320
4 poles	0.370

### 4. TECHNICAL CHARACTERISTICS

#### ■ 4.1 Rating

32A : 2, 3 and 4 poles

#### ■ 4.2 Handle versions

- Direct side-operated, supplied with external handle accessories  
Available as a red handle on a yellow faceplate conforming to standards EN 60204-1 and IEC 60204-1

- Direct front-operated with possibility of external handle to lock the door in closed circuit position (Cat. No. 227 34)  
Available as a red handle on a yellow faceplate conforming to standards EN 60204-1 and IEC 60204-1

#### ■ 4.3 Padlock

Handle which can be padlocked in open position (for 1 to 3 padlocks Ø 6 mm)

#### ■ 4.4 Mounting

On rail or fixed with 4 M5 screws

**4. TECHNICAL CHARACTERISTICS**

■ **4.5 Wiring**

Terminals : cage  
Cu connection : 16 mm<sup>2</sup>

Recommended tightening torque: 2 Nm

■ **4.6 Electrical characteristics**

Thermal intensity	32A
Rated insulation voltage U	690V~
Uimp rated impulse withstand voltage	8kV
Intensity of employment :	
AC 22 A / 400V	32A (17kW)
AC 22 A / 500V	32A (20kW)
AC 23 A / 400V	22A (12kW)
AC 23 A / 500V	14A (10kW)
Dynamic resistance in pass (kA peak)	5
Permissible short-term current for t = 1s Icw (kA effective)	0,5
Rated conditional short circuit current (kA effective)	100
Max. Fuse rating	32A (gG) 20A (aM)
Provide short-circuit closure Icm (kA peak)	0,75
Mechanical endurance (maneuverability)	> 10 000
Protection class	IP 2X (16mm <sup>2</sup> ) IP 3X under breastplate

**5. GENERAL CHARACTERISTICS**

■ **5.1 Material**

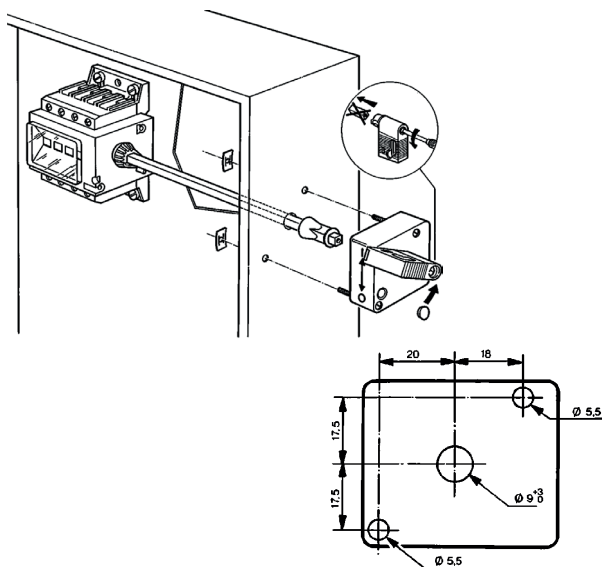
Thermoplastic polyester resin casing, self-extinguishing to 960°

■ **5.2 Standards and approvals**

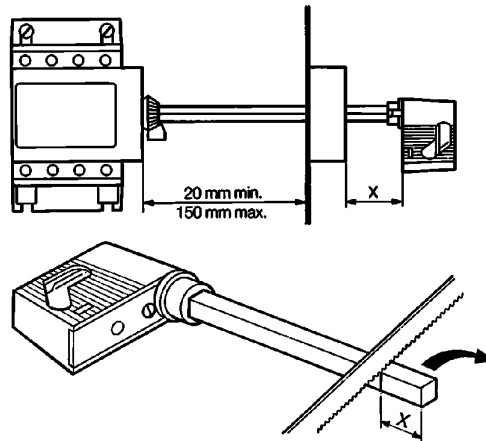
IEC 60947-3  
EN 60947-3

**6. MOUNTING**

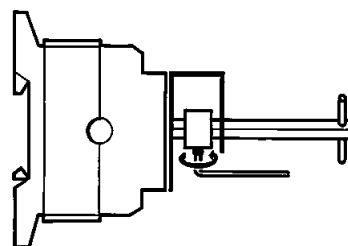
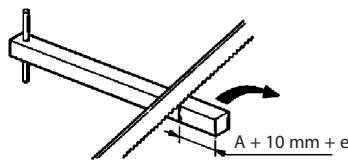
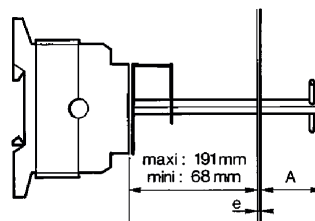
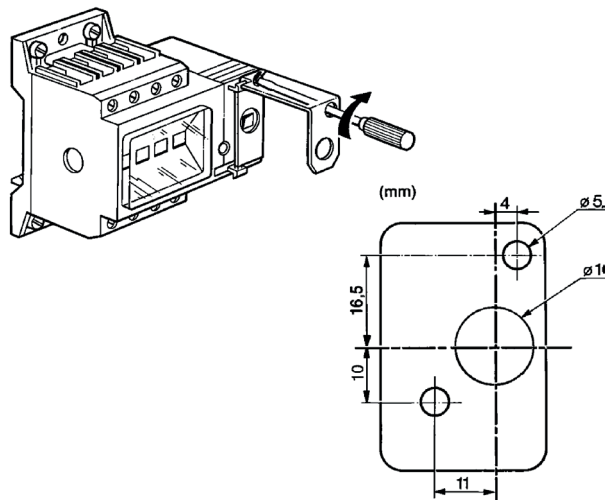
■ **6.1 External side handle**



**6. MOUNTING**



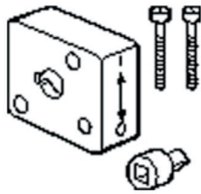
■ **6.2 External front handle (cat. no. 0 227 34)**



## 7. ACCESSORIES

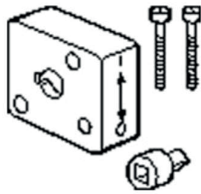
### ■ 7.1 Left side command for black handle (cat. no. 0 227 30)

Delivered with corner spacer, fixing screws, cover and instructions.



### ■ 7.2 Left side command for red handle (cat. no. 0 227 31)

Delivered with corner spacer, fixing screws, cover and instructions.



### ■ 7.3 Front external command (cat. no. 0 227 34)

Set comprising : linkage, axle support, drilling template, fastening accessories.

Door distance : 46 to 191 mm



### ■ 7.4 Changeover and signaling reversing contacts

Equipped with a NO + NC changeover contact  
5A - 250V

#### - Contact O + F (cat. no. 0 227 03)

2.58mm lug connection



#### - Contact 2O + 2F (cat. no. 0 227 08)

2.58mm lug connection

