

CONTENTS

Page

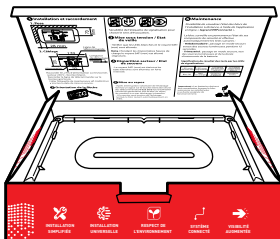
1. Description	1
2. Installation	2
3. Operation	3
4. Connection	7
5. Maintenance	14
6. Compliance and approvals	15
7. Equipment and accessories	15

1. DESCRIPTION

IP 66 - IK 08 self-contained emergency evacuation lighting unit
 400 lm - 1 h
 Class II:

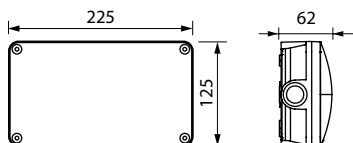
Consumption: 0.9 W - 1.1 VA

• **As-shipped product**



Supplied without signalling label.

• **Dimensions**



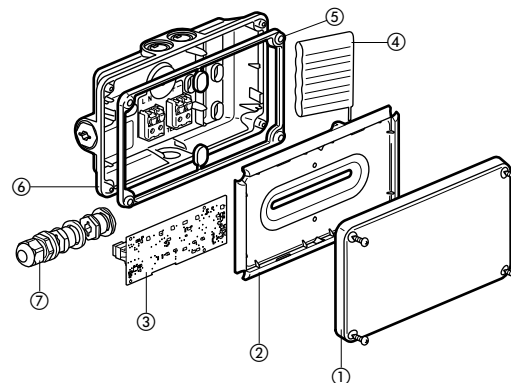
Weight of product in packaging: 511 g
 Volume: 2 dm³

• **Technical characteristics**

Product for surface mounting on walls or ceilings.
 Connected self-contained emergency lighting unit with LEDs used for background lighting in public buildings and work premises.
 Rated flux at one hour: 400 lumens
 Standby power: 1 hour (to ensure this duration, the standard requires a minimum standby power of 1 hour 30 minutes when new).
 Conforming to standards: NF C 71-801 and NF EN 60598-2-22
 NF C 71-820 + NF 413
 Awarded the quality marks "NF AEAS performance SATI" and NF environment.
 Class II:
 Remote control for setting to rest mode during intentional mains power breaks.
 Remote control input terminals protected against connection errors.
 Power supply 230 V~ - 50/60 Hz
 Fitted with large-capacity automatic connection terminals (2 x 2.5 mm²)
 Usage temperature: -5°C to 35°C

• **Technical characteristics (continued)**

• **Materials**



Class II plastic casing:

- ① Diffuser: clear polycarbonate, self-extinguishing 850°C 30 s.
- ② Reflector: white polycarbonate, self-extinguishing 850°C 30 s.
- ③ Circuit board.
- ④ Battery.
- ⑤ Seal: SEBS (elastomer).
- ⑥ Base: grey polycarbonate, self-extinguishing 850°C 30 s.
- ⑦ Cable glands and nuts: polyamide self-extinguishing 850°C 30 s.

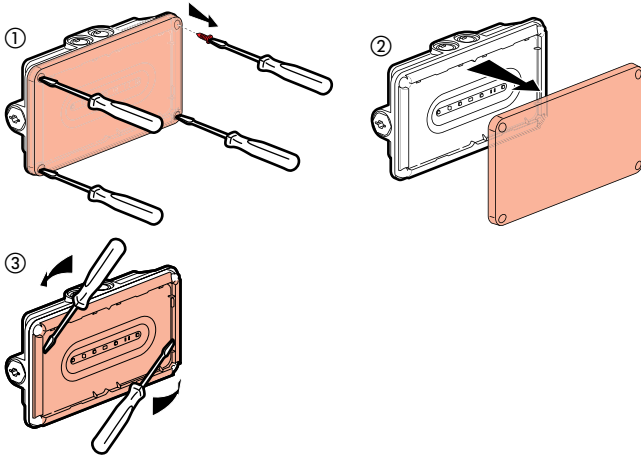
All plastic parts weighing more than 50 g are marked with their material type so that the materials can be recycled at the product's end of life.

• **Calorific value**

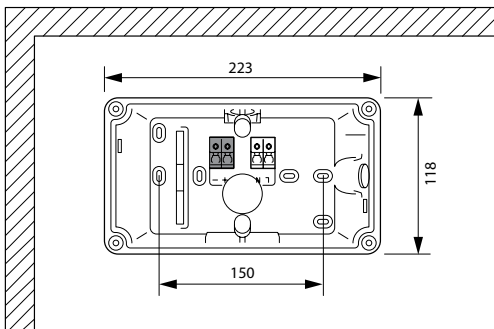
Thermal load of the plastic components of the casing: 10.7 MJ.

2. INSTALLATION

• Dismantling the unit

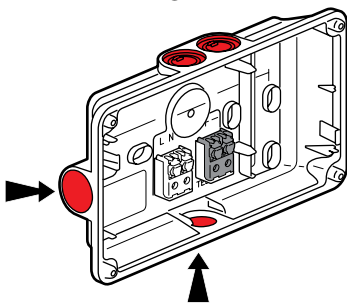


• Installation and fixing



Insert the plugs (after detaching from the seal) and the cable gland to make the unit weatherproof.

• Cable feedthrough

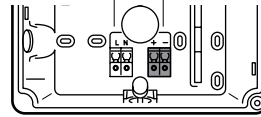


The product is shipped with 2 drilled holes for feeding through the cables, one of which (depending on the incoming cable) should be fitted with the cable gland and the other with the plug.

• Connection

Remote control line

Power supply



Connect both power supply wires to the 230 V~ mains terminals (white terminal block).

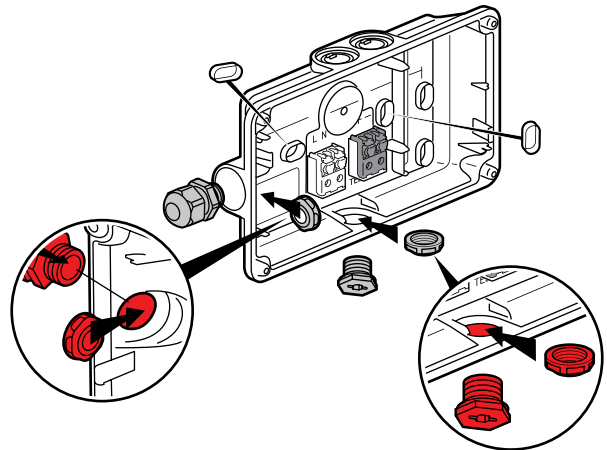
Connect the remote control line to the dark grey terminal block.

• Ensuring the IP protection

To ensure IP 66 protection, it is essential to use:

- ① Cable gland Cat. No. 0 980 03 and its nut 0 968 43 for the cable entry
- ② Plug Cat. No. 0 980 43 and nut Cat. No. 0 968 43 for the unused entry
- ③ And to place weatherproofing caps over the fixing screws

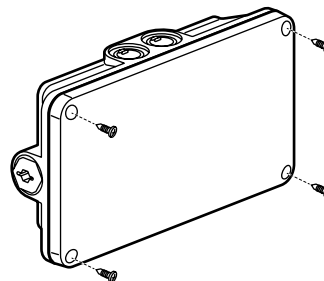
The unit is shipped with a bag containing: 1 cable gland and its nut + 2 plugs and 2 nuts.



Caution: Ensure the nut is fitted the right way round, as shown above. As soon as installation is complete, attach a maintenance label Cat. No. 0 609 00 and write the commissioning date on it (see 5.1). Attach the adhesive separable signalling label (supplied with the unit).

• Ensuring IK protection

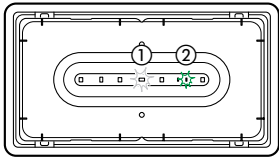
To ensure IK 10 protection, it is essential to fix the cover using the 4 fixing screws provided.



The luminaire should be ideally be positioned in such a way that people are unlikely to look at it from a distance of less than 0.5 m for an extended period.

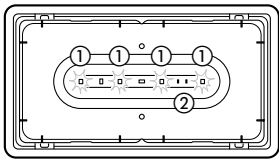
3. OPERATION

3.1 Switch-on/standby state



The standby LED comes on ①
The green unit status LED comes on (flashing while the batteries are charging: 28 hours max.) ②

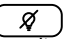
3.2 Mains supply break/emergency operation



All 4 white emergency LEDs come on at the declared flux of 400 lm ①
The green unit status LED goes off ②

3.3 Setting to rest mode using remote controls 0 625 20/21 and 0 039 00 /01

After the normal lighting is switched off intentionally:


Pressing the Off button  sets the unit to rest mode to prevent the battery discharging, in compliance with regulation EC14.

Normal lighting switched back on:


The unit automatically returns to standby.

3.3 Setting to rest mode using remote controls 0 625 20/21 and 0 039 00 /01 (continued)

Compatibility with commercially-available remote controls

 Remote control compatible only for setting to rest mode with **Mains power absent** in compliance with regulation: EC 14.

Brand	Remote control reference
Luminox-EATON	EX 500
Luminox-EATON	TL 500
Luminox-EATON	TLI 500
Luminox-EATON	TLU
KAUFEL	BT 12V
SCHNEIDER	TBS SMART 100
SCHNEIDER	TBS SMART 250 LS
SCHNEIDER	TBS_50
SCHNEIDER	TBS_100
URA	140 010
URA	140 011
URA	140 012

 Ensure compatibility by respecting the remote control line polarity, except for the KAUFEL remote control.

3.4 Automatic checking of the unit status (self-testing system)

This unit automatically checks its operating status.




Once a week:

Switches to emergency state and tests for 15 s.


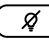
Once every three months:

Switches to emergency state and tests the light source and the battery standby power time.

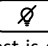
3.4.1 Result of the automatic checks

LEDs	Luminaire OK	Battery fault	Other fault(s)
Green	 (steady or flashing)	○	○
Yellow	○	 (steady)	 (rapid flashing)

The time of the tests is set at the time the unit is first switched on. The day of the test is chosen randomly in order to ensure that a minimum number of units is tested at the same time..

The time at which all the units are tested can be changed to the required time by simultaneously pressing the On  and Off  buttons on the remote control.

3.4.2 Stopping a test in progress

If a standby power test hinders operation, it can be stopped immediately. Press the Off button  on the remote control Cat. No. 0 625 20/21 or 0 039 00/01. The test is stopped and postponed until the following day.

3. OPERATION *(continued)*

■ 3.5 Interrogating the unit

Infrared configuration tool Cat. No. 0 882 40 with the Close Up app is used to view and modify the emergency lighting unit parameters.



⚠ The screenshots change according to updates of the Close Up app.

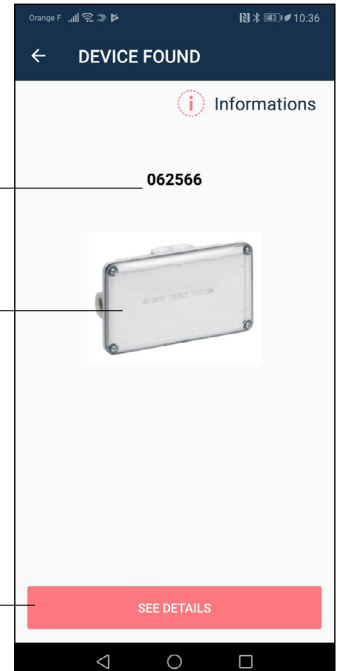
3.5.1 Viewing information

Step 1: After interrogating the desired unit, the following information is accessible:

Cat. No. of the interrogated unit

Photo

Parameter details



Step 2: Click **i** to access the technical documentation



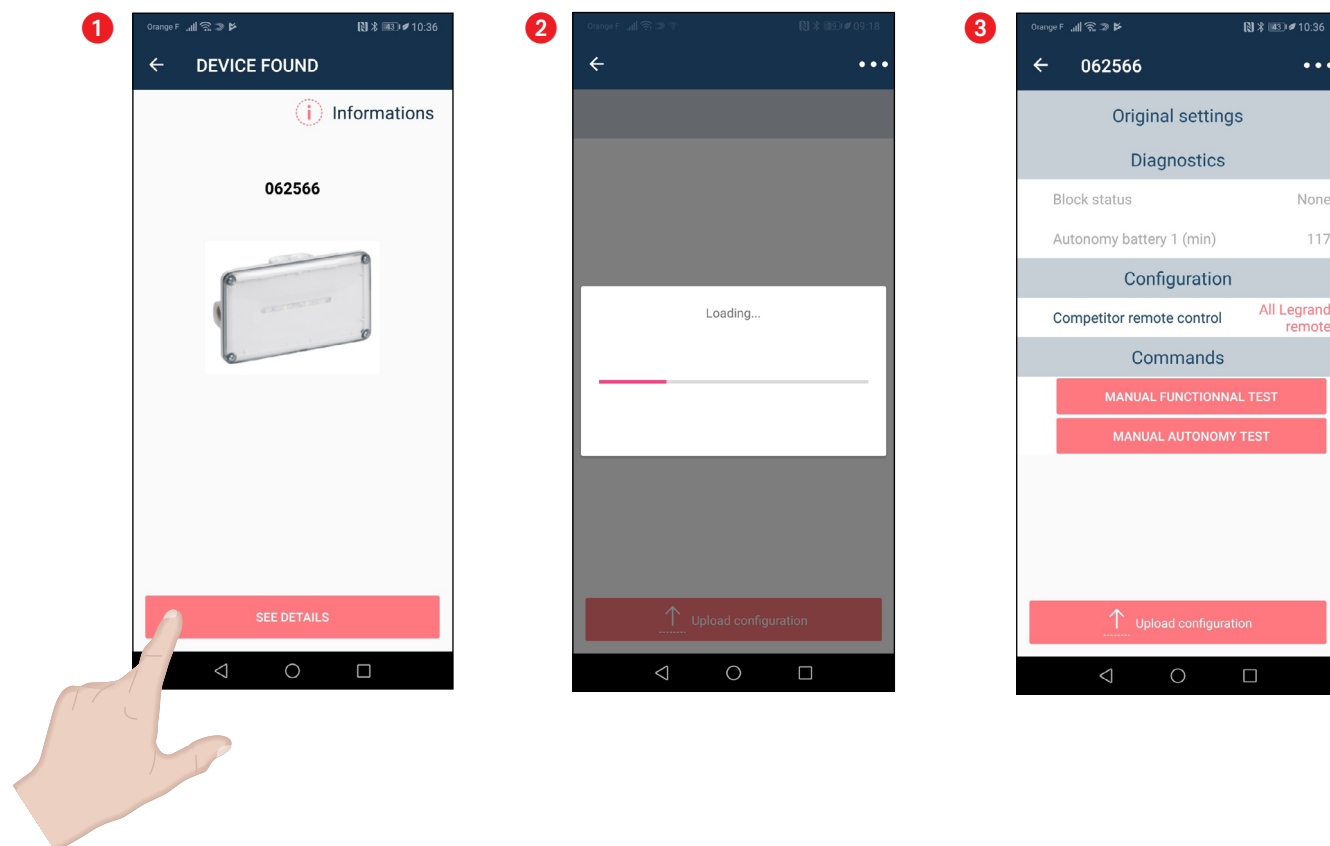
Link back to **www.legrandoc.com** to view all the product documentation.

3. OPERATION (continued)

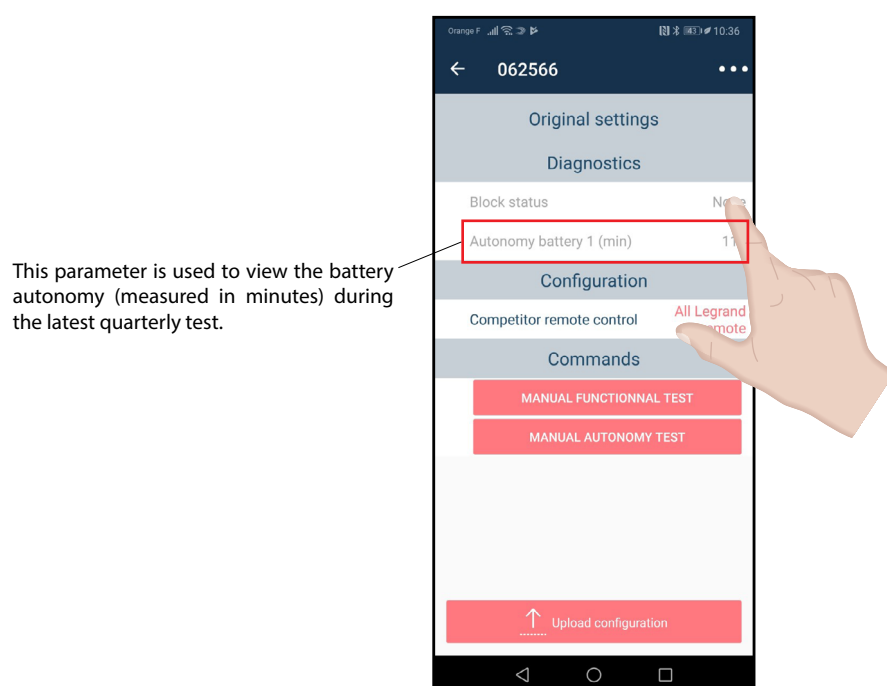
■ 3.5 Interrogating the unit (continued)

3.5.1 Viewing information (continued)

Step 3: Click "SEE DETAILS" to access the full list of parameters and additional information. During this step you must hold the configuration tool facing the interrogated unit, the parameter loading is then visible on the phone screen.



Step 4: In the "Diagnostics" part, right-click "Block status" to access the error type.

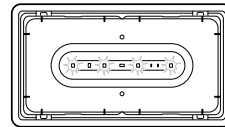
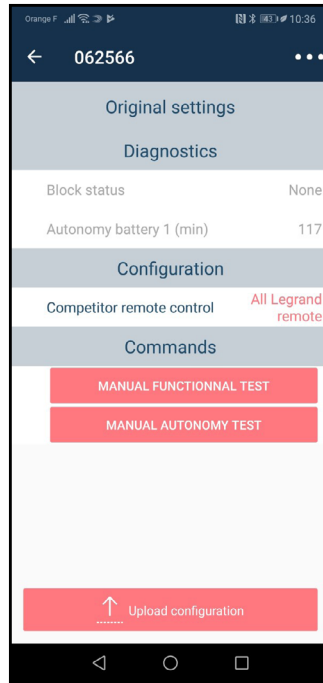


3. OPERATION (continued)

■ 3.5 Interrogating the unit (continued)

3.5.1 Viewing information (continued)

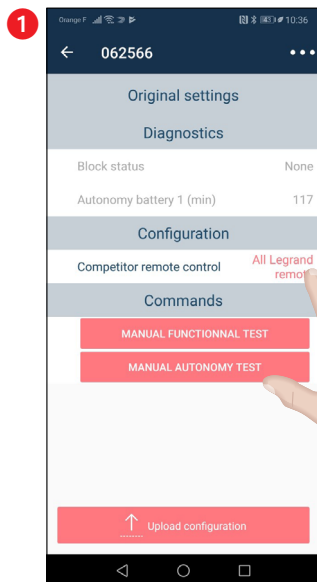
In the "Commands" part, clicking on "Manual functional test" or "Manual autonomy test" starts the functional and autonomy tests. These will only start running if the unit is sufficiently charged. These tests are immediate, they are not postponed.



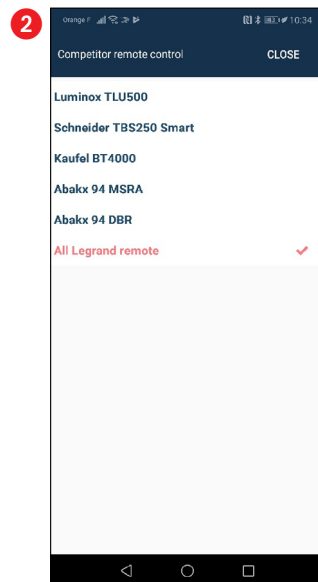
After clicking on manual functional test or manual autonomy test, the result can be viewed on the unit:
 - For the manual function test the unit comes on in emergency mode for 15 seconds
 - For the manual autonomy test, the unit stays on until its battery has fully discharged

3.5.2 Choosing the remote control

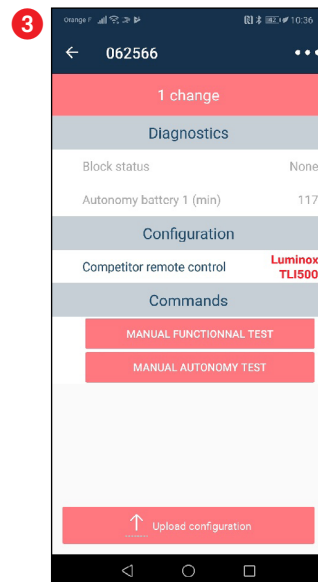
The Legrand remote control is selected by default, but this can be changed by following the steps below.



In the "Configuration" part, click to the right of "Legrand" to access the list of compatible remote controls (see 3.3).



Click on the remote control you wish to associate with the unit.



3. OPERATION (continued)

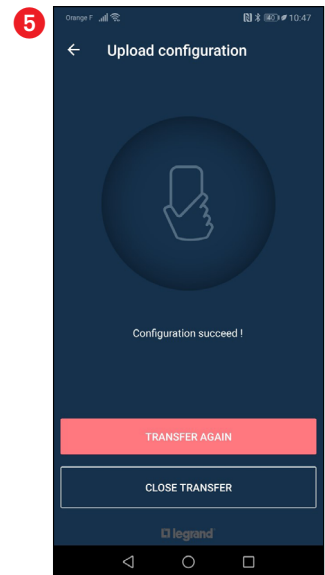
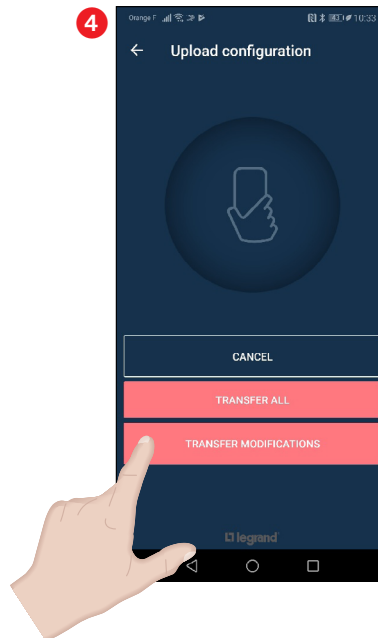
■ 3.5 Interrogating the unit (continued)

3.5.2 Choosing the remote control (continued)

The Legrand remote control is selected by default, but this can be changed by following the steps below.



Aim the configuration tool at the unit to confirm this action.

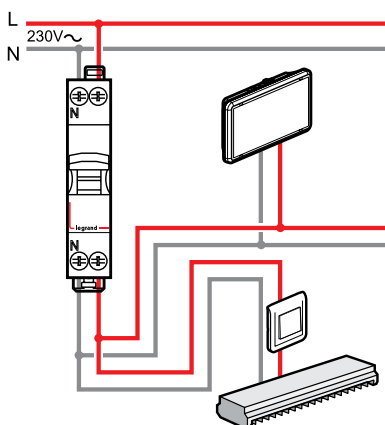


4. CONNECTION

■ 4.1 Connecting mains power to the self-contained units

Art. EC 12 section 3 of the safety regulations.

The branch supplying a unit must be joined downstream of the protection device and upstream of the normal lighting control device for the room or exit route in which the unit is installed.



The branch can be joined in the electric cabinet, on the switch or in a junction box. The power supply to the units is subject to the same rule as the luminaires (normal wiring).

Standard NF C 15-100 permits, in article 521.6.1, the mains supply connection and the remote control to be in the same cable or conduit.

Tap-off from one unit to another is permitted as long as the protection device for the line on which they are connected is 16 A or more.

The remote control polarity may not be correct on this self-contained emergency lighting unit if a Legrand remote control Cat. No. 0 625 20 or 0 625 21 or previous generation Cat. No. 0 039 00 or 0 039 01 is used. If another remote control is used, the correct polarity must be followed when wiring, and the switch-on or switch-off command must be maintained for at least 2 seconds.

Remote controls Cat. Nos. 0 625 20/21 have 3 operating modes:

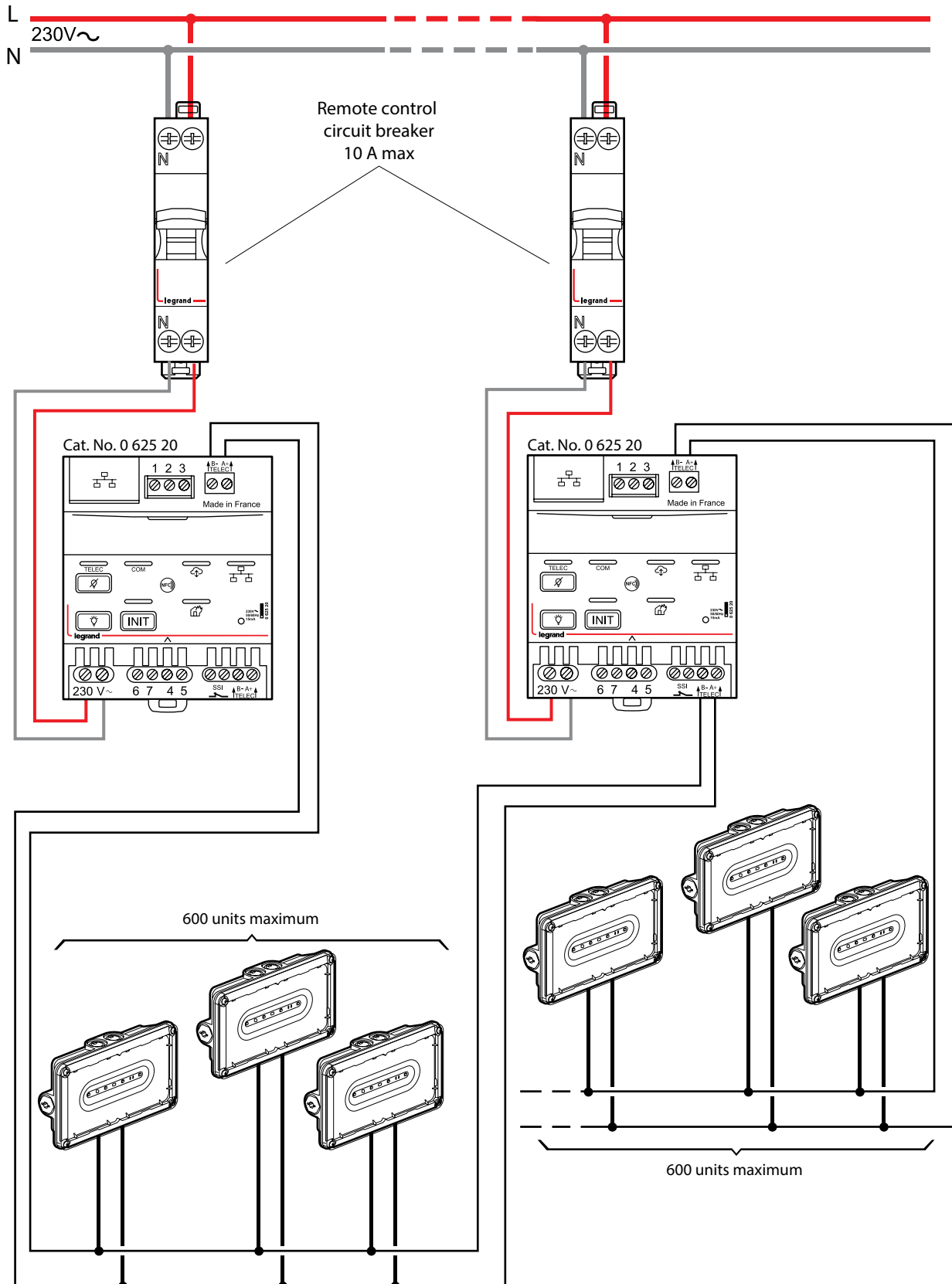
- **Standard mode:** up to 600 products
- **Supervised mode:** used for surveillance of installations with up to 63 products max.
- **Connected supervised mode:** supervised mode with remote management using the legrandERPconnecté app.

i For more information, see technical data sheet for connected remote control Cat. No. 0 625 20.

4. CONNECTION (continued)

■ 4.2 Remote control for setting to rest mode

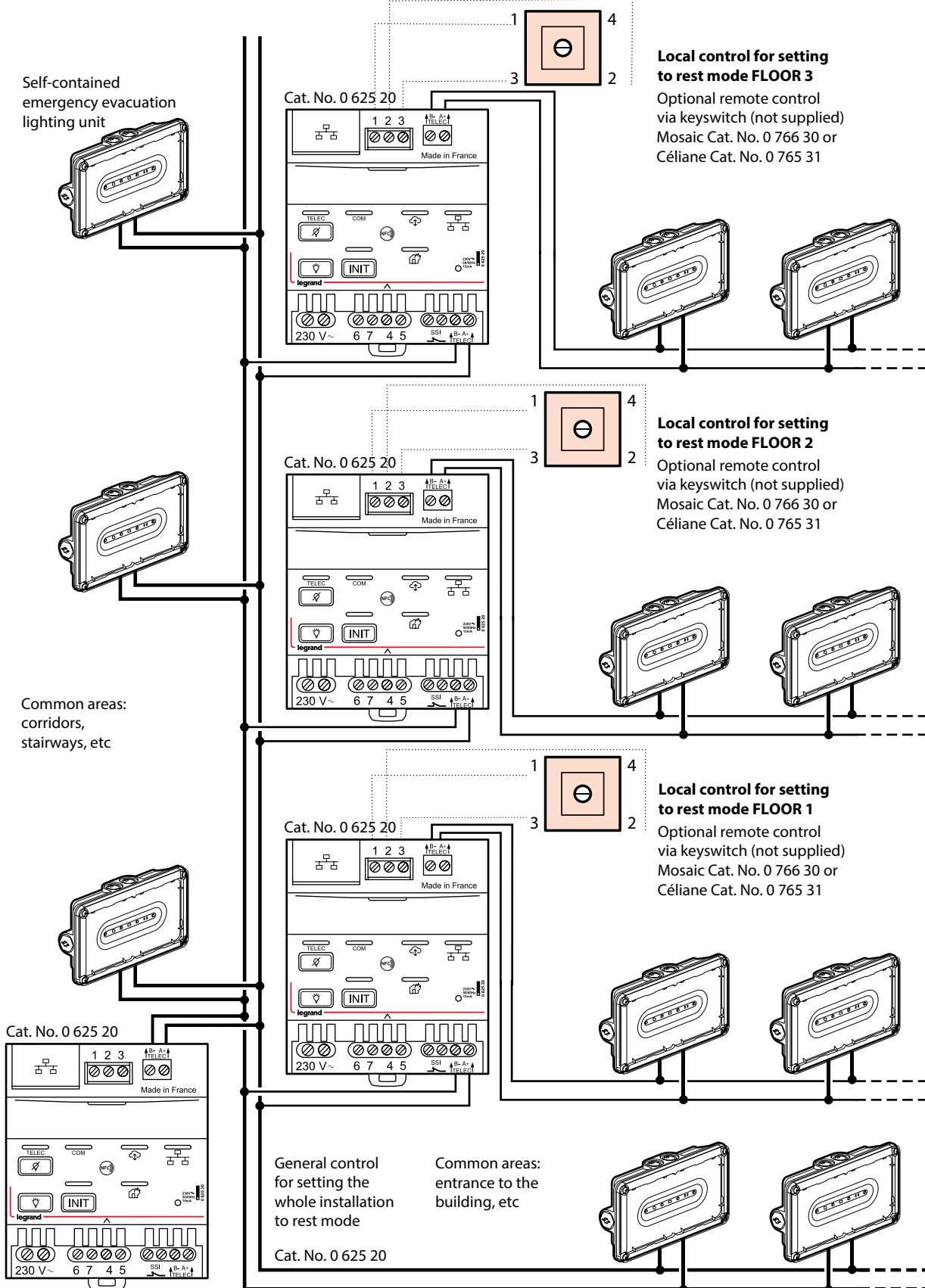
Installation (in standard mode) comprising more than 600 self-contained emergency lighting units:



4. CONNECTION (continued)

■ 4.2 Remote control for setting to rest mode (continued)

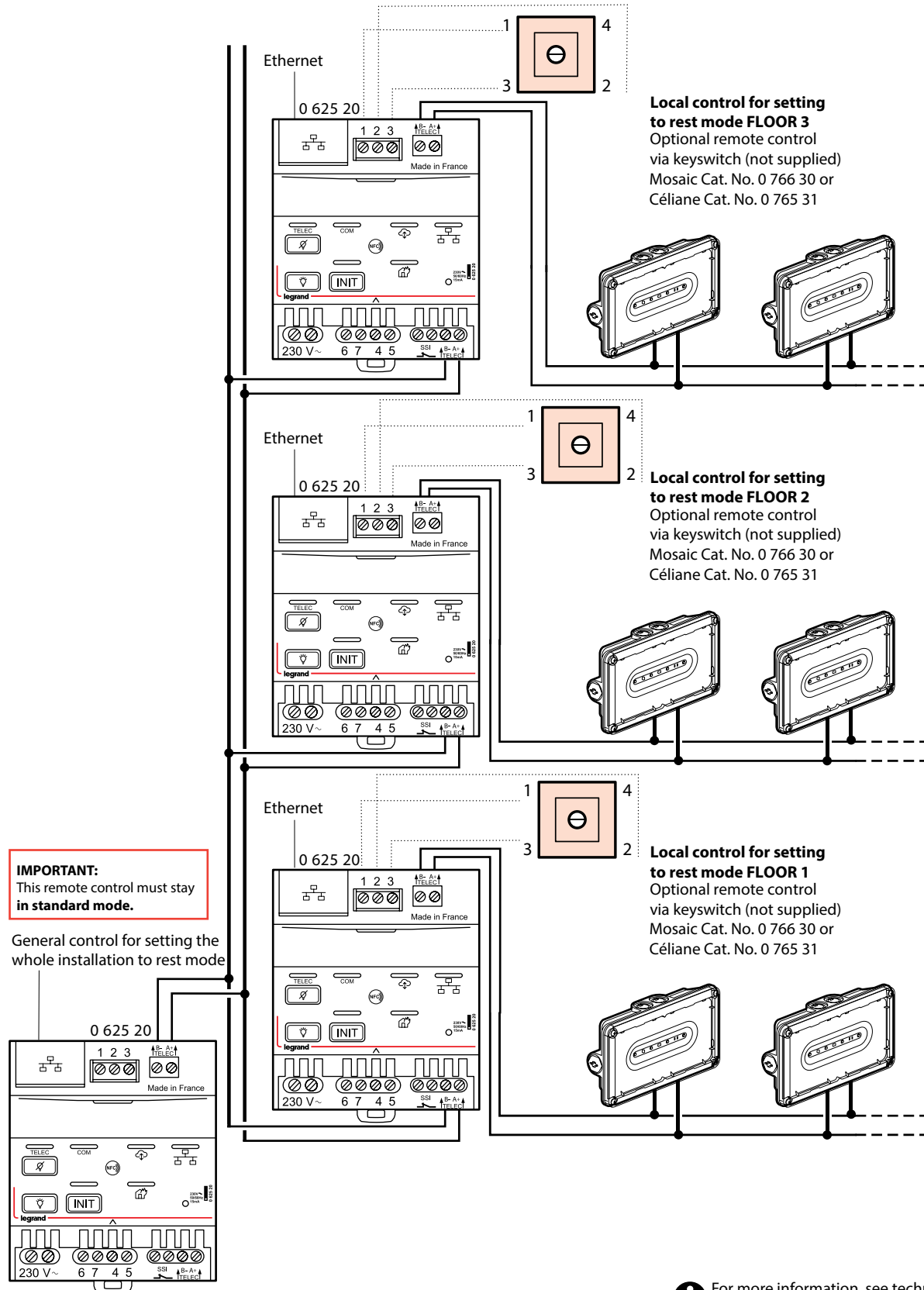
Setting an installation (in standard mode) comprising several operating zones to rest mode, zone by zone:



4. CONNECTION (continued)

■ 4.2 Remote control for setting to rest mode (continued)

Setting an installation (in supervised mode and in connected supervised mode) of more than 63 products to rest mode:

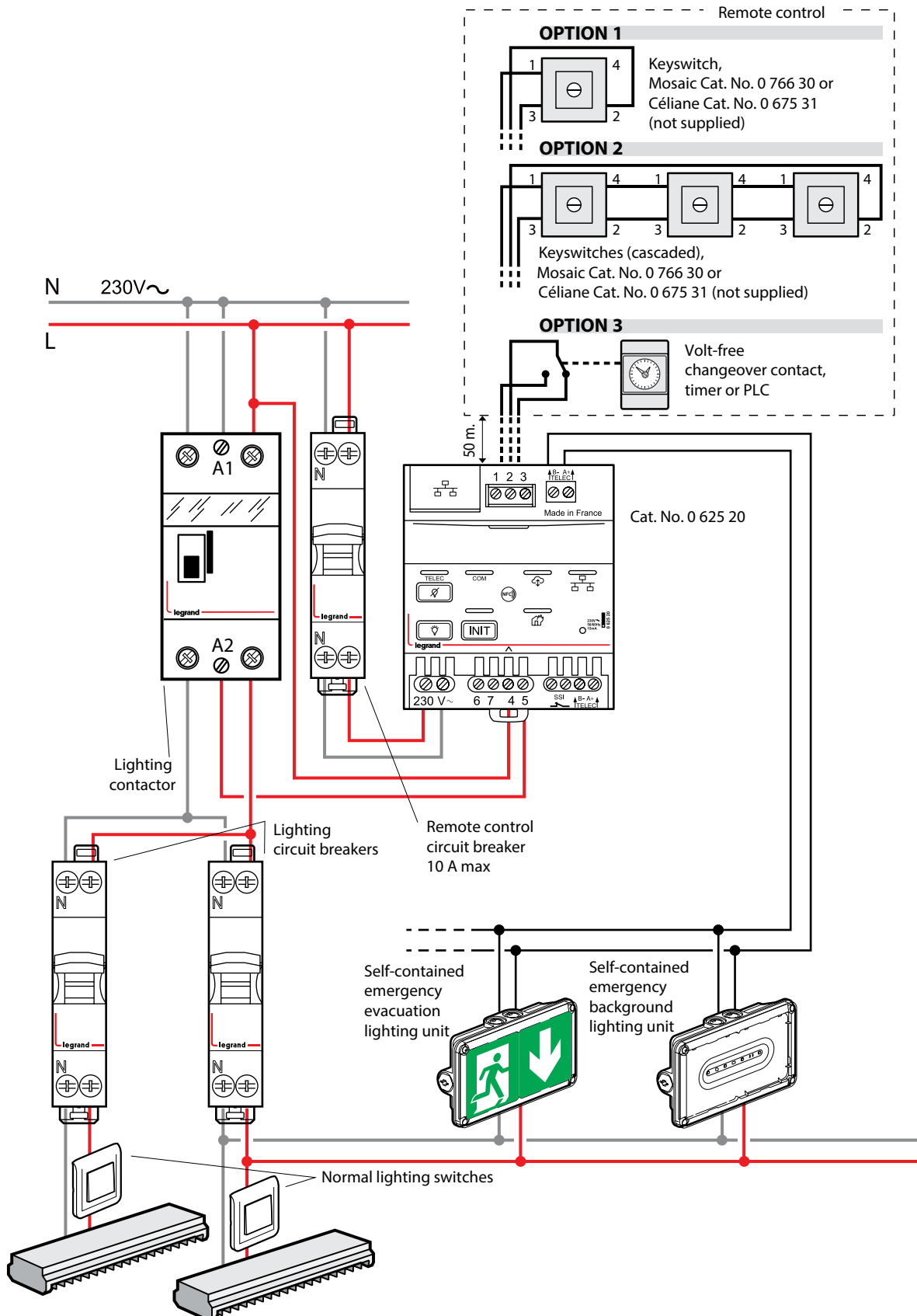


i For more information, see technical data sheet for connected remote control Cat. No. 0 625 20.

4. CONNECTION (continued)

4.2 Remote control for setting to rest mode (continued)

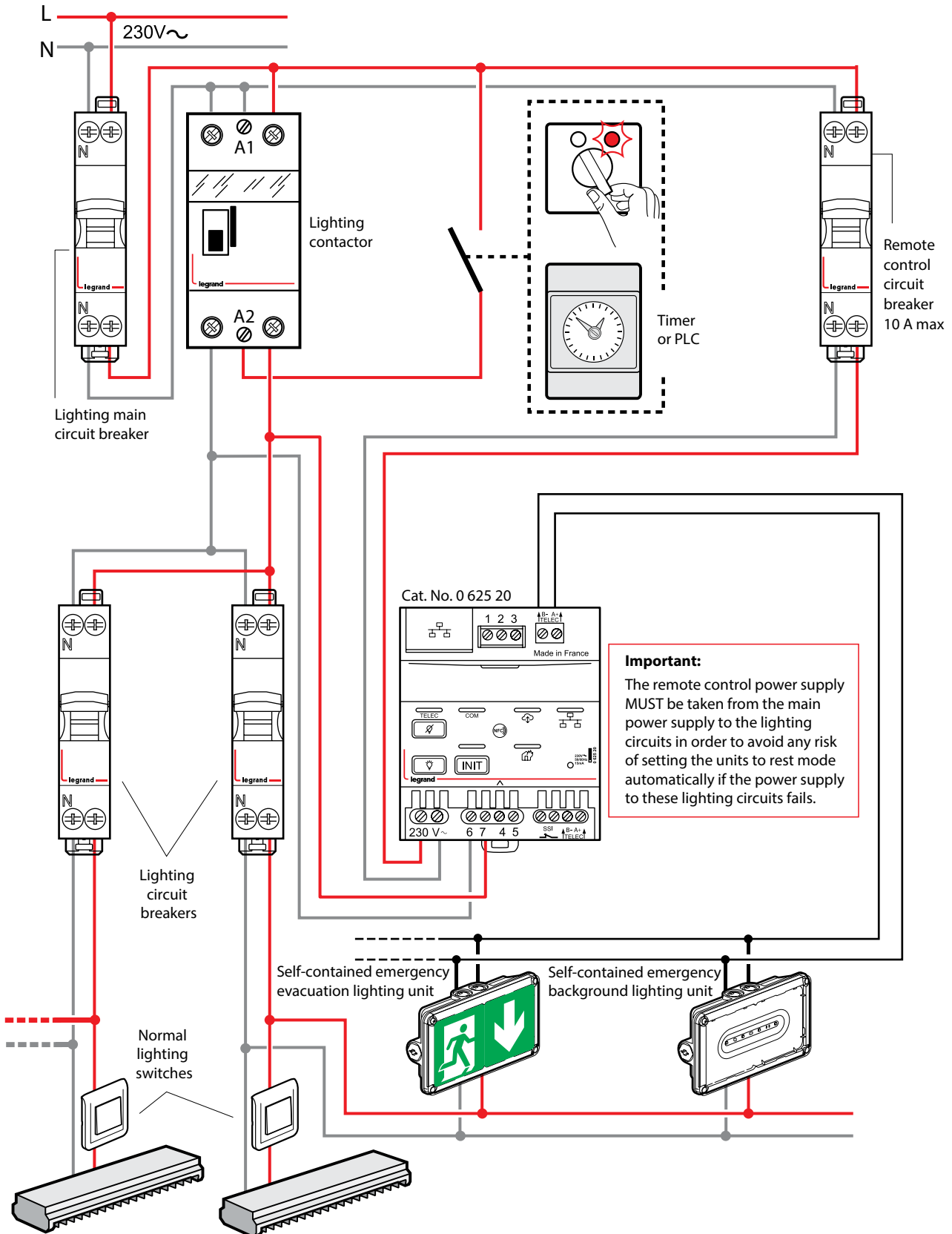
Switching off the lighting and setting units to rest mode remotely (standard mode) with keyswitch (Mosaic Cat. No. 0 766 30 or Céliane Cat. No. 0 675 31 not supplied) or by automation device:



4. CONNECTION (continued)

4.2 Remote control for setting to rest mode (continued)

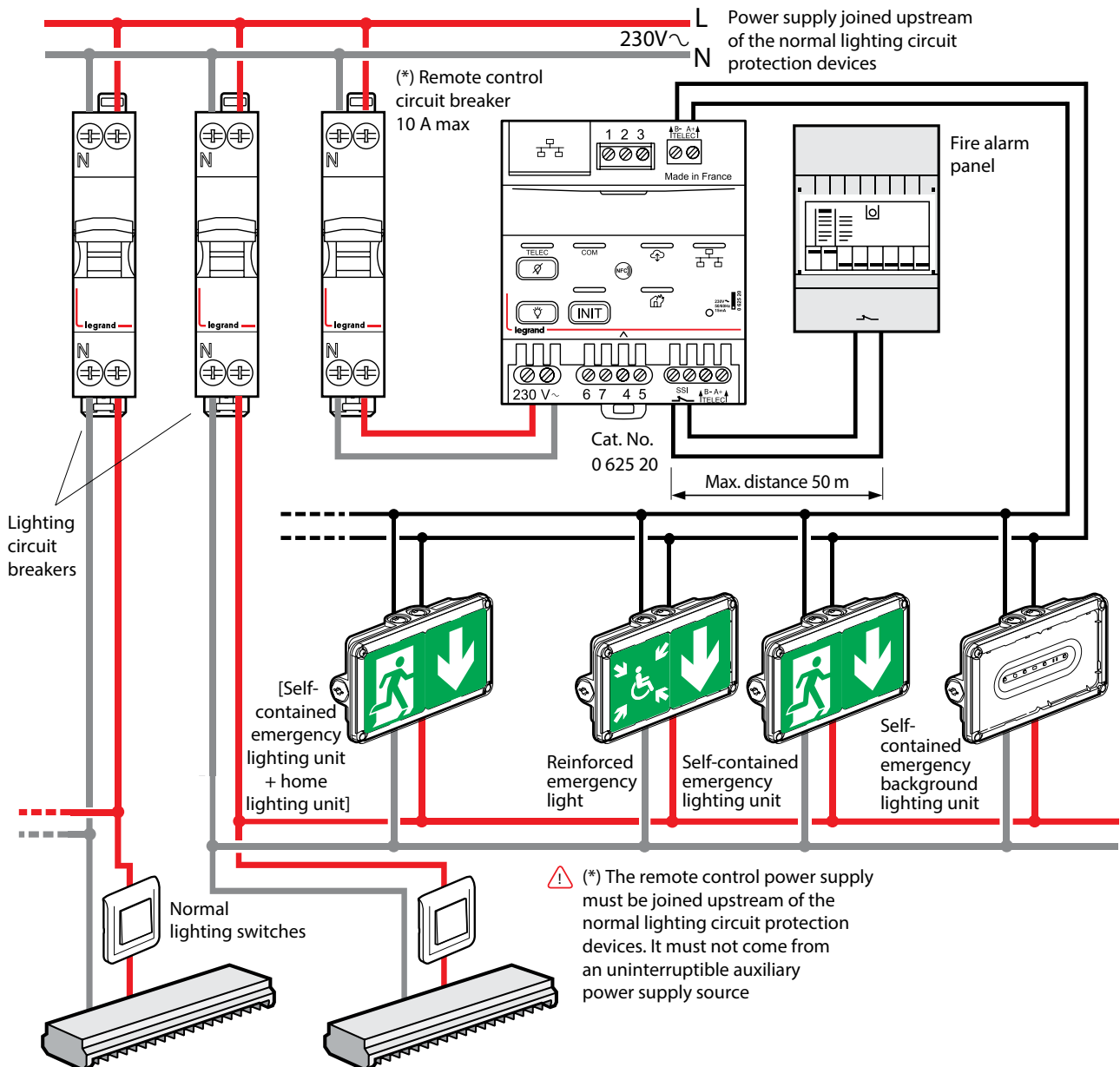
Setting units to rest mode automatically (standard mode) after the lighting is switched off intentionally:



4. CONNECTION (continued)

■ 4.2 Remote control for setting to rest mode (continued)

Operation with [self-contained emergency lighting + home lighting units] and/or reinforced emergency lights and Legrand self-contained emergency lighting units in buildings open to the public that have sleeping accommodation and/or safe waiting areas and operation of self-contained emergency lighting units in increased visibility mode.



5. MAINTENANCE

■ 5.1 Routine maintenance

• Safety regulations covering public buildings (article EL 18 and EC 13)

Routine maintenance of self-contained emergency lighting units is mandatory in public buildings.

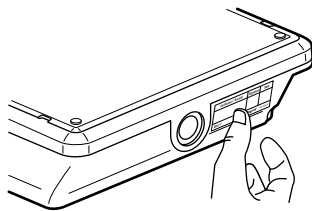
It can be carried out in accordance with the provisions of standard NF C 71-830.

The user must ensure that the lighting units are regularly checked and serviced.

The user must ensure that the annual maintenance operations are carried out by a qualified person.

After every annual maintenance operation, the qualified person must attach a new maintenance label and fill it in.

Checked by/Company	Signature	Date
Unit no.		Cat. No. 0 609 00



This maintenance label (Cat. No. 0 609 00) must be attached to each lighting unit in a position where it can be seen, and marked with the date on which the unit was commissioned.

• Operation (article EC 14)

The emergency lighting must be set to standby state during operating periods.

The emergency lighting must be set to rest mode or off state when the normal lighting installation is switched off intentionally.

The use of a hard-wired remote control Cat. No. 0 625 20/21 or 0 039 00/01 and keyswitch in accordance with the corresponding wiring diagram enables the units to be set to rest mode at the same time as the normal lighting is switched off when the premises are not in use.

The user must regularly check the following:

Once a month:

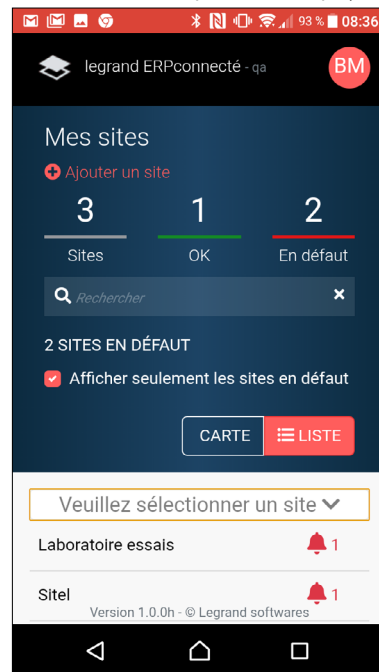
- That the unit switches to operating position if the normal power supply fails, and that all the lights come on (operation must be strictly limited to the time required to carry out the visual check). These checks can be carried out by checking that the green self-test indicator is on on all the units in the installation.
- The effectiveness of the remote command to switch to rest position and the automatic return to standby position when the normal power supply is re-established.

Once every six months:

- At least one hour's standby power. These checks can be carried out by checking that the green self-test indicator is on on all the units in the installation.

■ 5.1 Routine maintenance (continued)

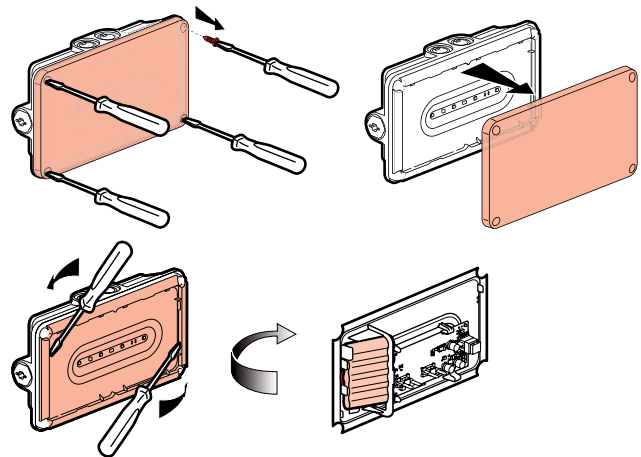
By using the legrand ERPconnecté web app you can be sure that your installations are compliant and simplify their maintenance.



Opens the legrand ERPconnecté app on a smartphone, PC or tablet: <https://erpconnecte.legrand.fr>
Compatible with Firefox, Chrome and Edge.

■ 5.2 Replacing the batteries

Ni-MH battery Type 1.2 V - 1.1 Ah AA Cat. No. 0 610 81



The batteries must be replaced when the self-contained unit can no longer provide its rated operating time.

Important: The product must be in rest mode before dismantling.



Legrand distribution partners take back used lighting units and batteries.

When the batteries have been changed, replace the maintenance label, marking on it the date on which the unit was returned to service.

6. COMPLIANCE AND APPROVALS

NF C 71 801: French standard "Performance of self-contained emergency background lighting units in public buildings and work premises covered by regulations"

Compliance with this standard is mandatory when installing self-contained emergency room lighting units in France.

NF EN 62 034: Automatic test systems for battery-powered emergency lighting.

NF C 71 820: French standard "Automatic test system for emergency lighting equipment".

NF EN 60 598-2-22: European standard "Luminaires: specific rules. Luminaires for emergency lighting".

NF EN 60 598-1: European standard "Luminaires".

UTE C 71 806: Rules applicable to the use of NiMH batteries in self-contained emergency lighting units

The "NF AEAS performance SATI" mark certifies compliance with these standards.

NF 413 NF ENVIRONMENT Emergency lighting units.

The "NF Environment" mark certifies compliance with this standard.

NF EN 50172: European standard "Emergency lighting systems".

NF EN 1838: European standard "Lighting applications – Emergency lighting".

Directives

- LV directive 2014/35/EU of 26/02/2014 and 2011/65/EU of 08/06/2011 amended by 2015/863 of 31/03/2015 (ROHS 2)

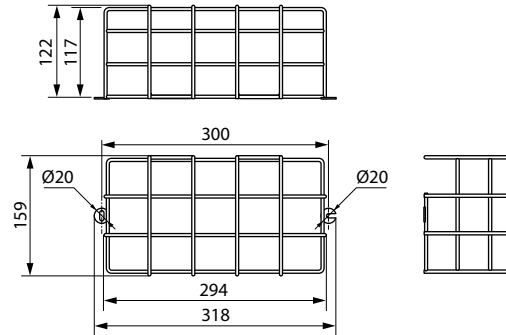
- EMC directive 2014/30/EU of 26/02/2014

7. EQUIPMENT AND ACCESSORIES

7.1 Grilles

7.1.1 Standard protective grille Cat. No. 0 626 90

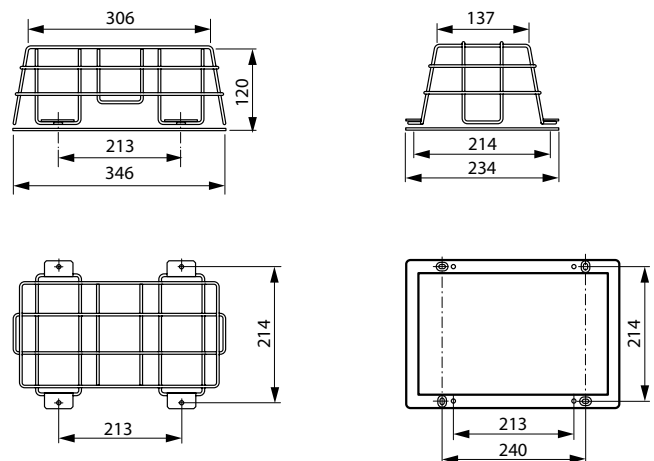
Impact resistance: IK 10 - 20 joules



7.1.2 Vandal-resistant protective grille Cat. No. 0 626 92

Impact resistance: IK 20 - 50 joules

Wall-mounting base on metal frame held in place by 4 metal bolts. Locked with vandal-proof screws, requiring tool Cat. No. 0 919 45 (not supplied).



• Screw tool Cat. No. 0 609 10

For fitting vandal-proof screws in grille Cat. No. 0 626 92.

