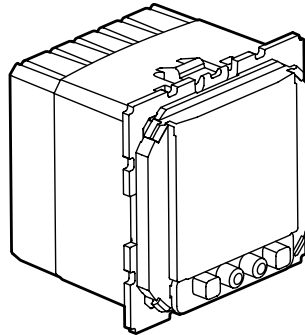


Time switch Céliane

Catalogue number(s) : 670 53



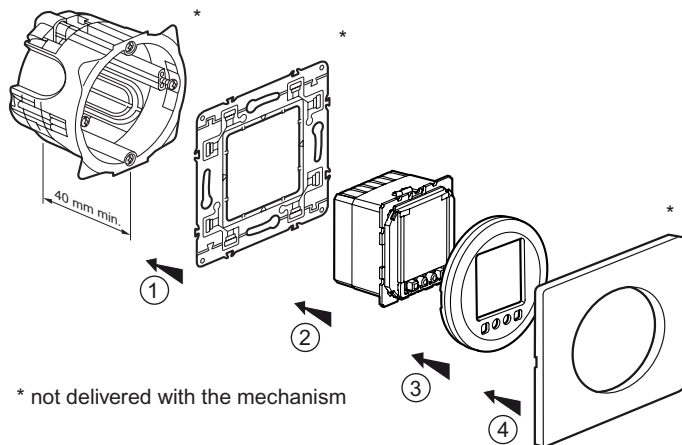
1. USE

Usage in flush mounted electrical installations.
 General purpose time switch for all kind of loads and uses.

2. RANGE

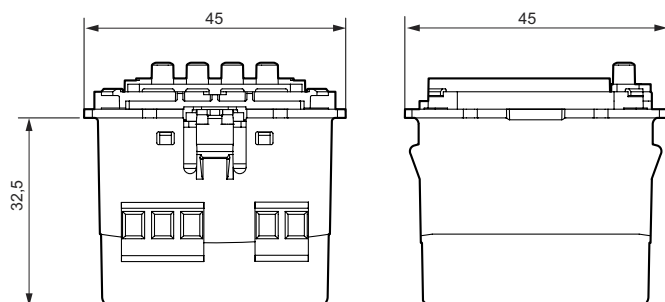
3. PREPARATION

	Designation	Catalogue number	Number of modules	Connection mode	Weight(g)	Characteristics
	Time switch	670 53	2	with screw	84g	230 V.- 50/60Hz



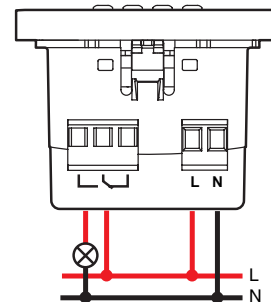
* not delivered with the mechanism

4. OVERALL DIMENSIONS



5. CONNECTION

Number of terminals	5
Type of terminals	with screw
Length of stripping	6 mm
Capacities of the terminals	1 x 2,5 mm ² flexible or rigid
Tool	Flat screwdriver 3,5 mm



6. FUNCTION

- digital weekly time-switch
- programming with program-blocs.
 each bloc defines a starting time, a stopping time and a free combination (1...7) of assigned days of the week.
- 28 program-blocs
- Resolution of 1 minute
- 1 output contact
- Manual on / off and a temporary overwrite
- Running reserve : 20 h

7. GENERAL CHARACTERISTICS

7.1 Mechanical characteristics

Impact tests : IK 04
 Penetration of body solides/liquides : IP 41 (C15-100)

7.2 Material characteristics

Polycarbonate

7. GENERAL CHARACTERISTICS (continuation)

7.3 Electrical characteristics

Glow wire test (IEC 60 695-2-10, -2-11 : 650°C/30 s)

Voltage : 230 V - 50/60 Hz

1 relay contact n-o / n-cl

- 1200 W incandescent or halogen lamp 230 V
- 2300 VA fluo Ø26 or 38 mm or halogen TBT with ferromagnetic or electronic transformer
- 1800 W motor (only ventilation)
- 3600 W resistive (only heating)

7.4 Climatic characteristics

Storage temperature : -10°C à +60°C

Ambient temperature : -5°C à +50°C

8. MAINTENANCE

Without maintenance

9. CONFORMITY - APPROVALS

Approvals in progress : NF - CEBEC - BBJ - EZU