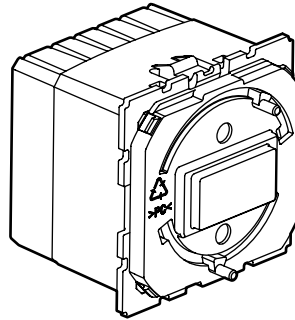


# Blind control Céliane

Catalogue number(s) : 676 21



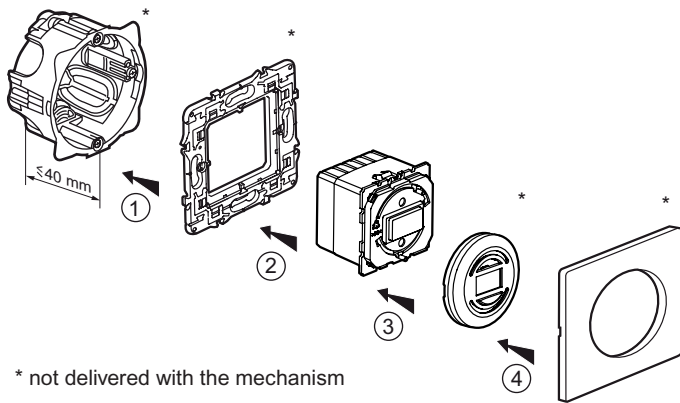
## 1. USE

The device is used to control blinds and shades etc. automatically and / or manually. Because of its simplicity and user-friendliness it is best suited for residential applications or small shops and offices.

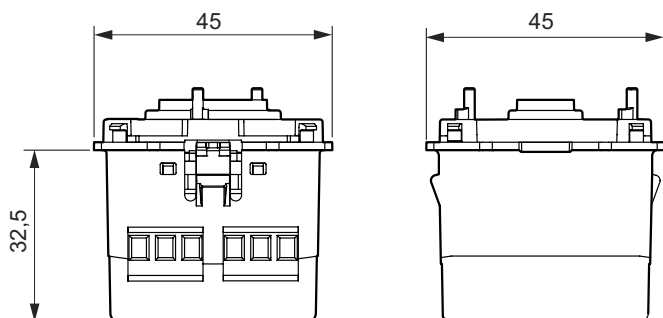
## 2. RANGE

	Designation	Catalogue number	Number of modules	Connection mode	Weight(g)	Characteristics
	Time delayed fan switch	676 21	2	with screw	89g	230 V~ 50/60Hz

## 3. PREPARATION

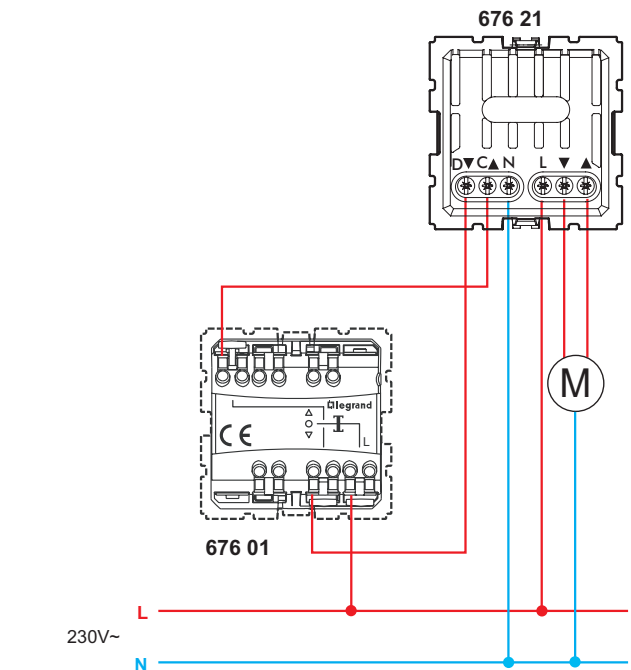


## 4. OVERALL DIMENSIONS



## 5. CONNECTION

Number of terminals	6
Type of terminals	with screw
Length of stripping	6 mm
Capacities of the terminals	2 x 1,5 mm <sup>2</sup> flexible or rigid
Tool	Flat screwdriver 3,5 mm



Maximum operation distance : 50 m

## 6. FUNCTION

The device is used to control the motor of blinds, stores etc. It can be used with all motors that have one common contact and two separate contacts for the up- and down-movement.

The motor can be commanded manually with two buttons on top of the device or with a remote push-button switch connected to the auxiliary inputs C and D.

The device has a built in time switch which can move the blinds automatically; the moving times are the same for each day of the week and adjustable between:

3:00 to 12:00 for moving up  
15:00 to 24:00 for moving down.

The adjustment is done very simply by means of two sliders. The position of the sliders roughly indicates the moving time at a glance, the time is shown precisely on the display when the sliders are moved. Normally the actual time is displayed.

In the leftmost position of the upper slider and the rightmost position of the lower slider the automatic is turned off.

## 7. GENERAL CHARACTERISTICS

### 7.1 Mechanical characteristics

Impact tests : IK 04

Penetration of body solids/liquides : IP 41 (C15-100)

### 7.2 Material characteristics

Polycarbonate

### 7.3 Electrical characteristics

Glow wire test (IEC 60 695-2-10, -2-11 : 650°C/30 s)

Voltage : 230 V 50/60Hz

Relays : 2 x 3 A – 250 V  $\cos \varphi = 0,6$

P = 0,8W

### 7.4 Climatic characteristics

Storage temperature : -10°C à +60°C

Ambient temperature : -5°C à +40°C

### 7.5 Time switch

Resolution: 2 minutes

Accuracy:  $\pm 1$ s/d

Running reserve: 10h

## 8. MAINTENANCE

Without maintenance

## 9. CONFORMITY - APPROVALS

Approvals in progress : NF - CEBEC - BBJ - EZU