

# FAS ROLLER

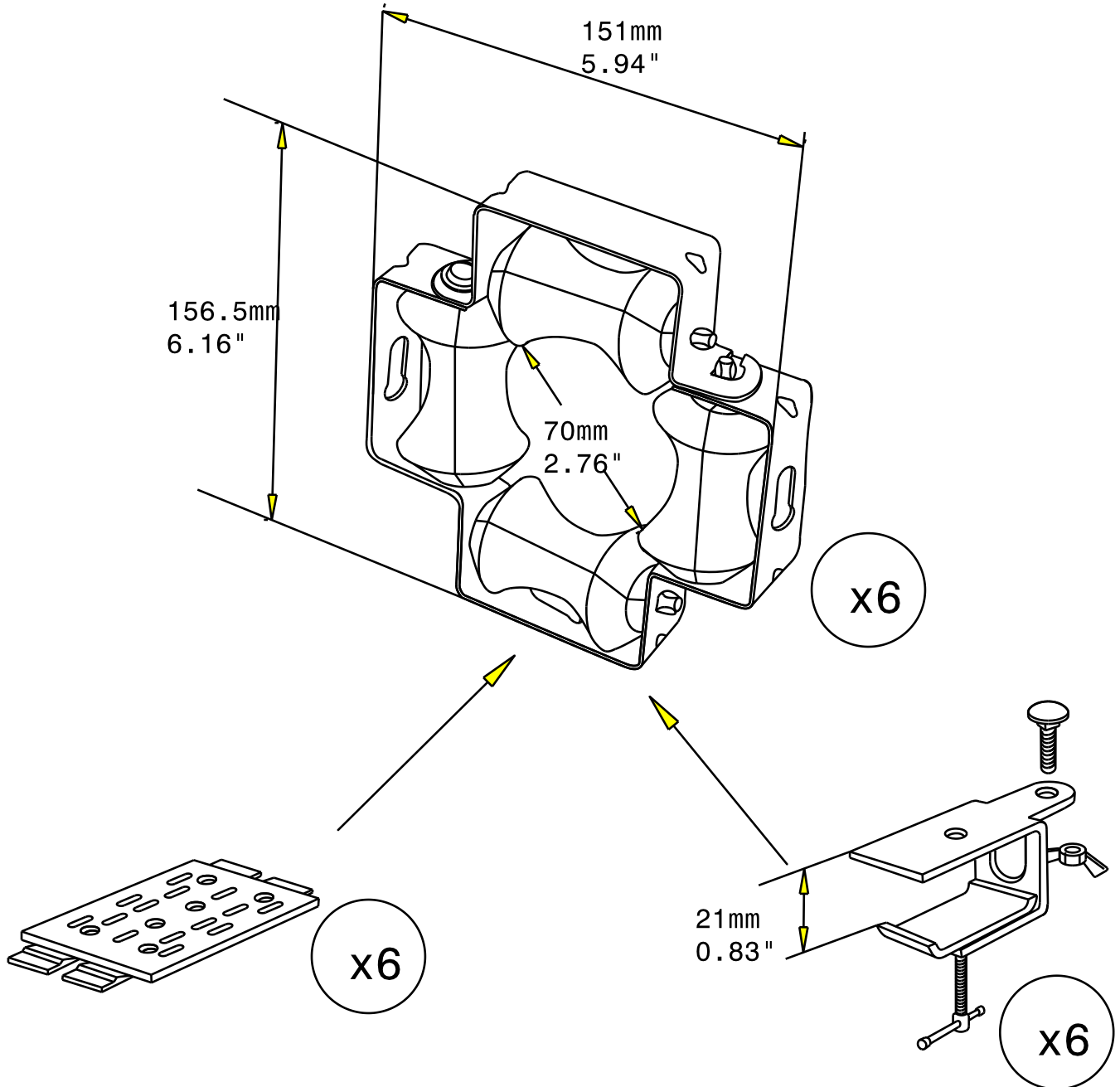
EZ



CABLE  
MANAGEMENT

FT0308-0

06-17



REF	CODE	POIDS kg	WEIGHT lb
Malette complète FAS ROLLER	011 100	4,800	10,596
FAS ROLLER (box of 6)			