

0 208 87/88/89

X 2

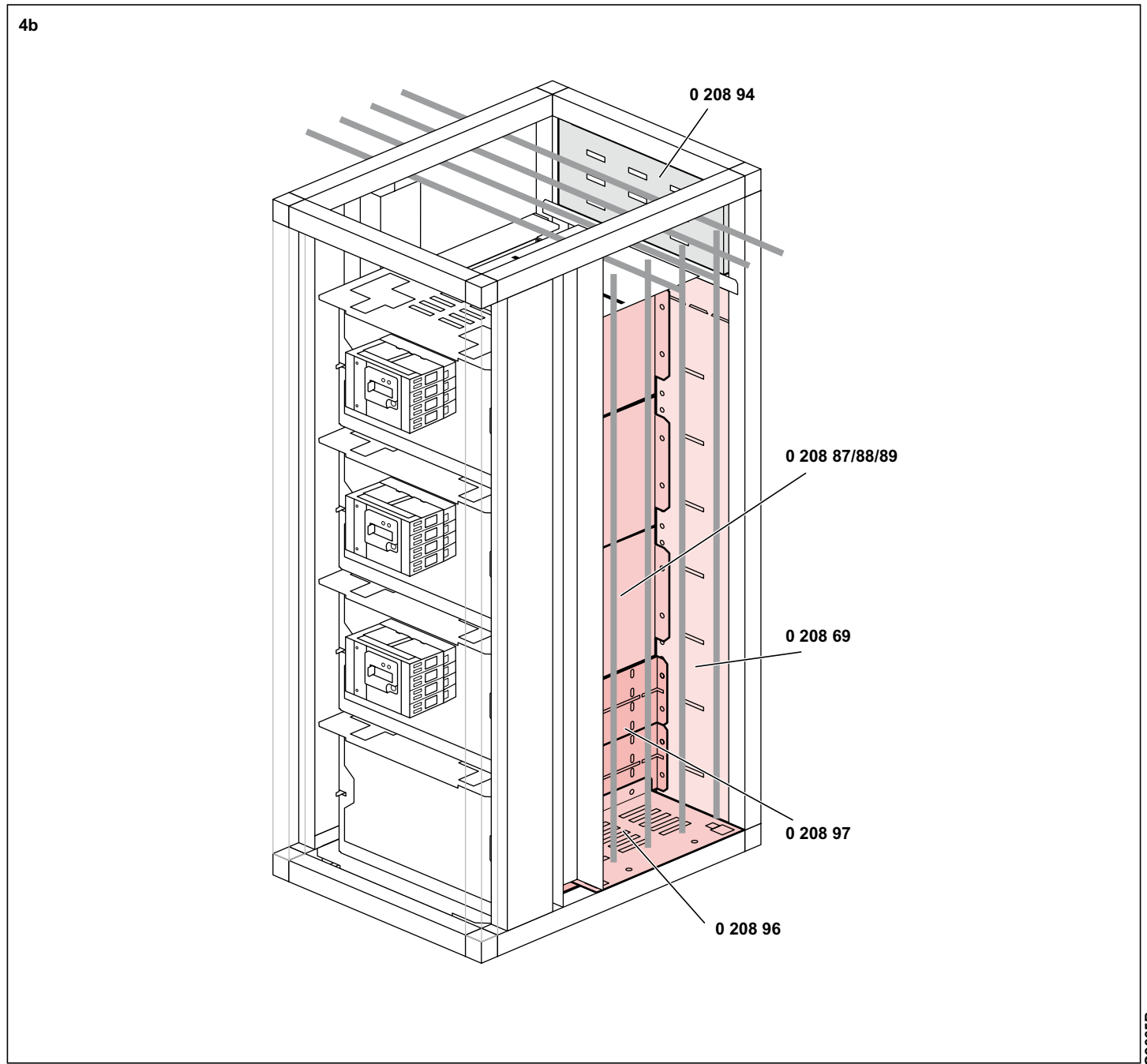
| | | | | | | |
|--------------------|-----|-----|-----|-----|------|------|
| | | | | | | |
| 0 208 87/88 | X 1 | X 1 | X 1 | X 2 | X 9 | X 26 |
| 0 208 89 | X 2 | X 2 | X 2 | X 4 | X 18 | X 34 |

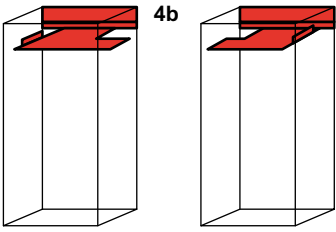
0 208 96

0 208 97

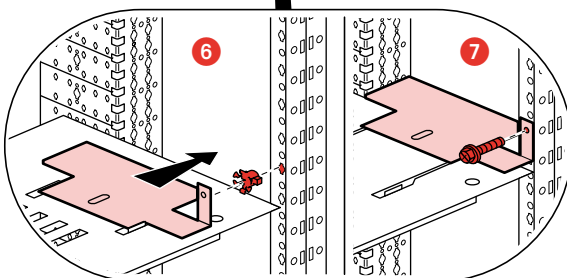
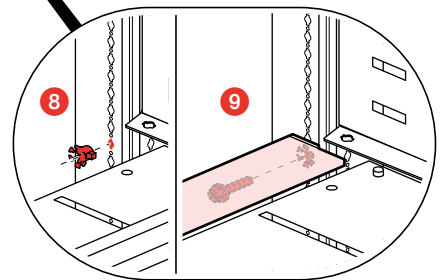
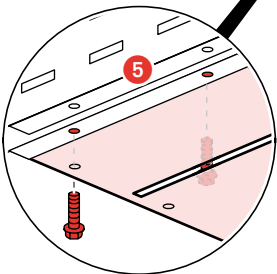
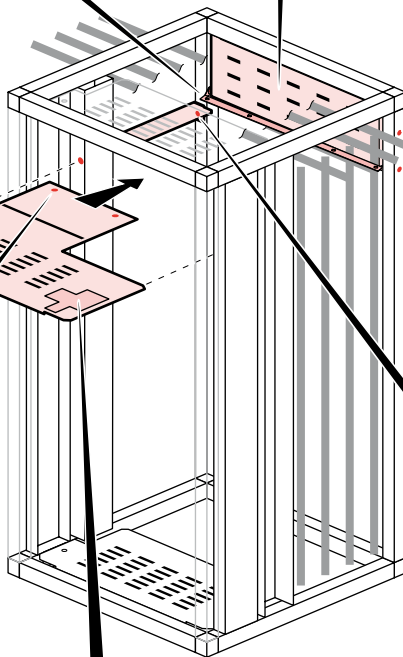
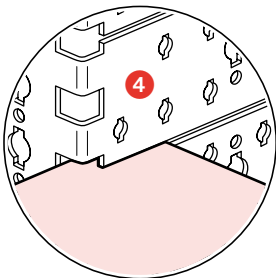
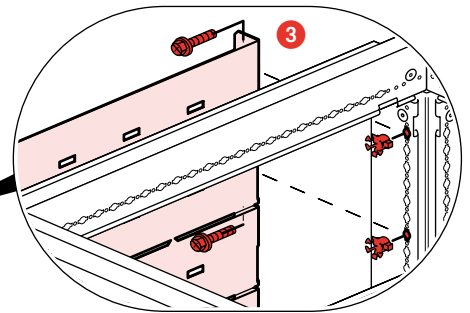
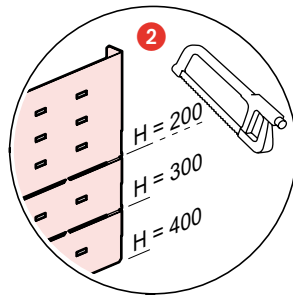
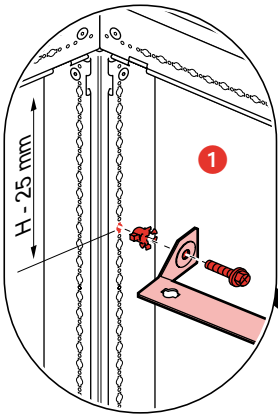
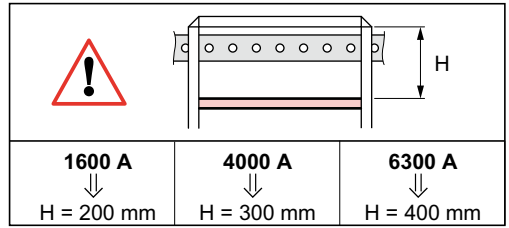
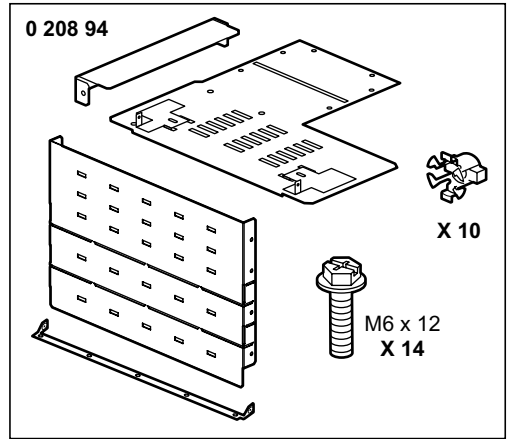
0 208 69

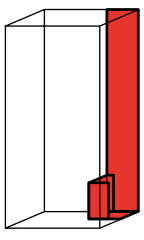
M6 x 12



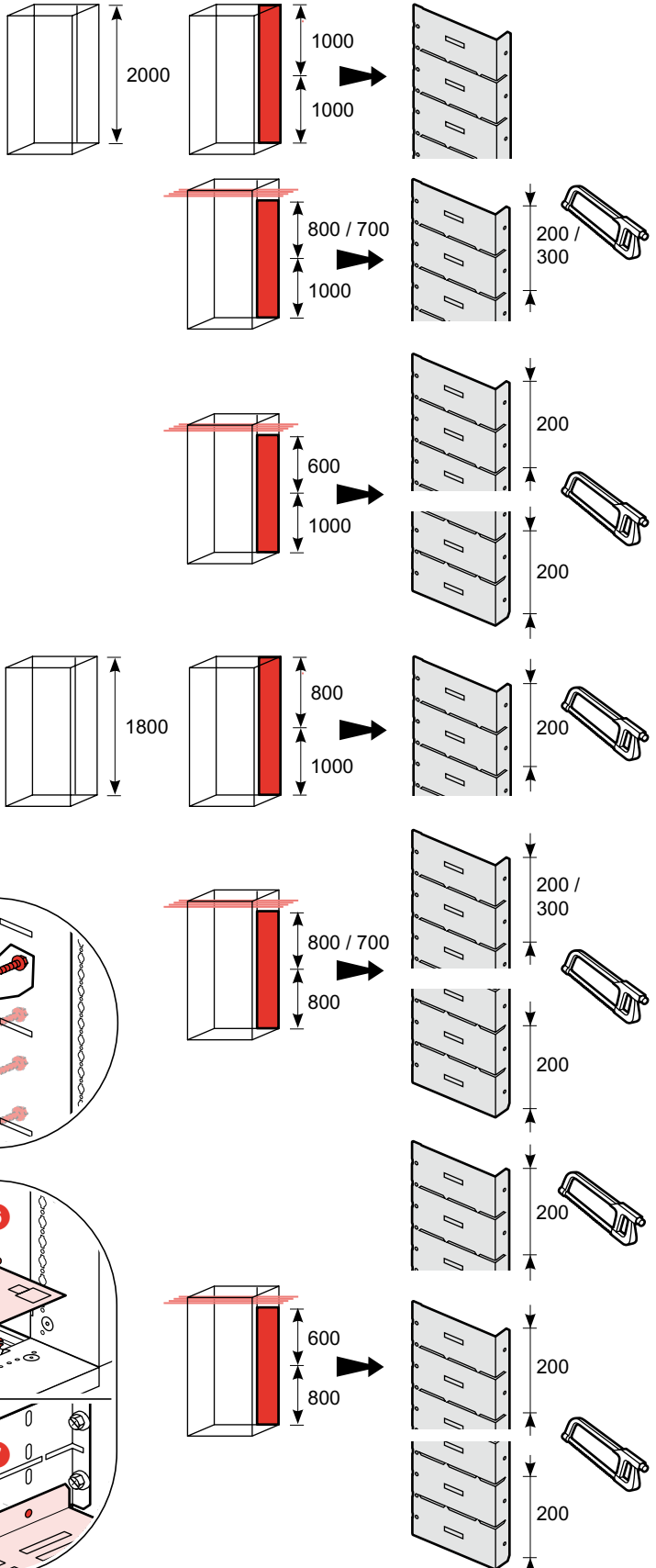
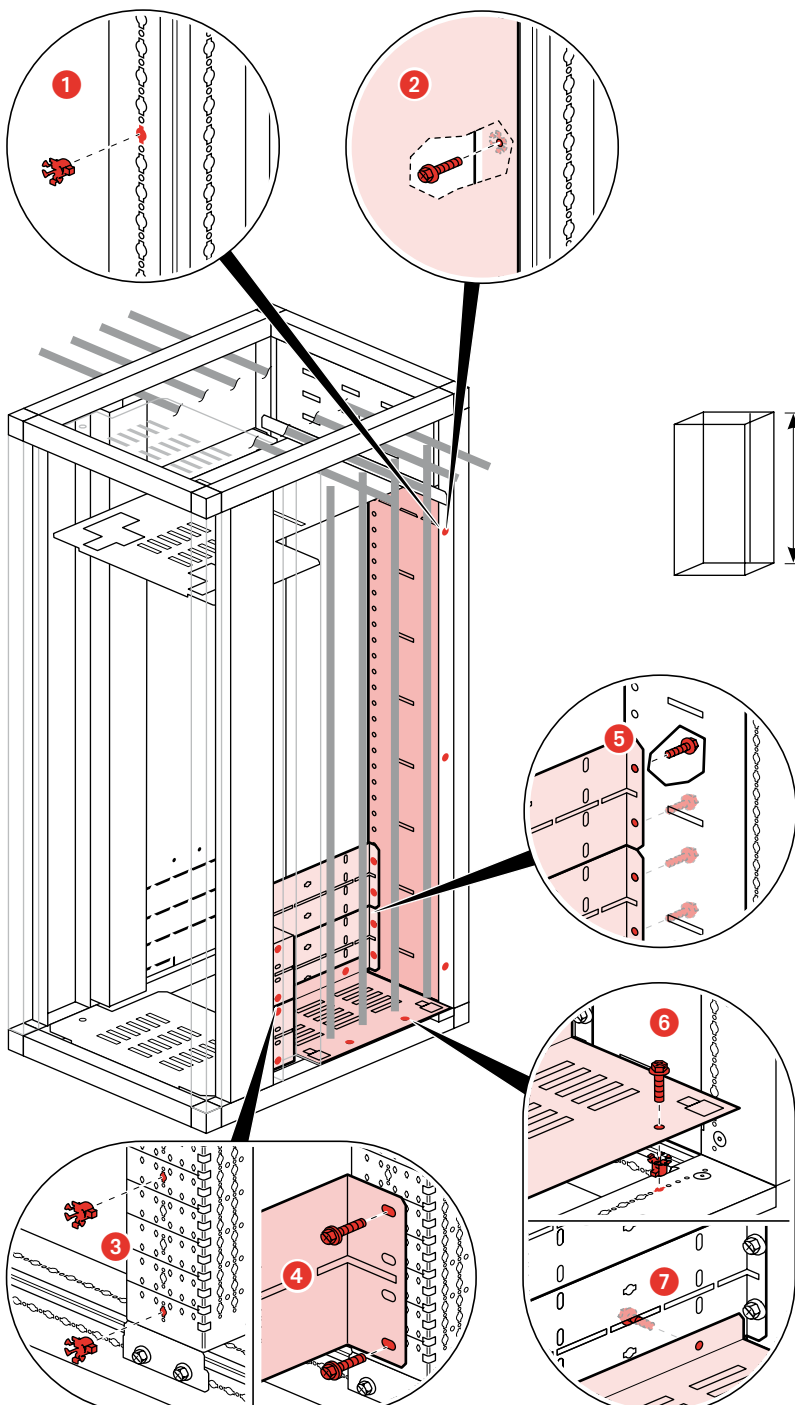
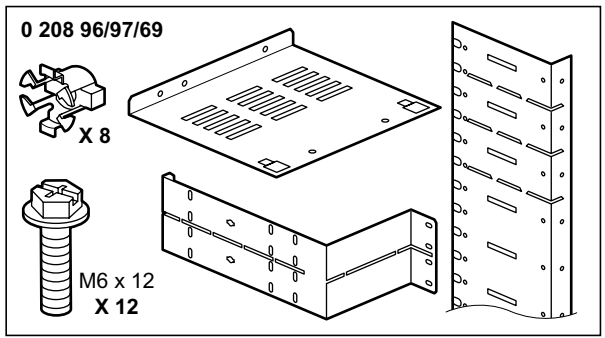
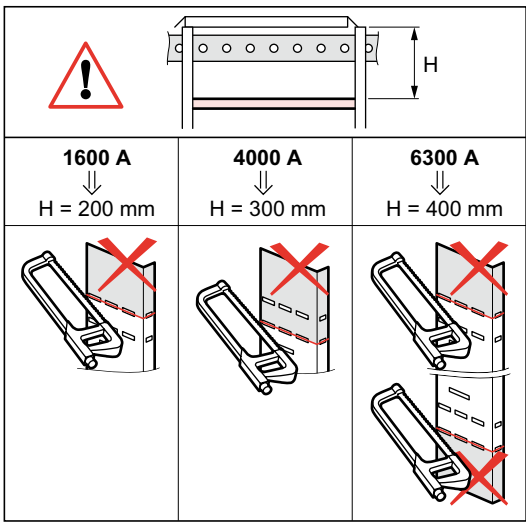


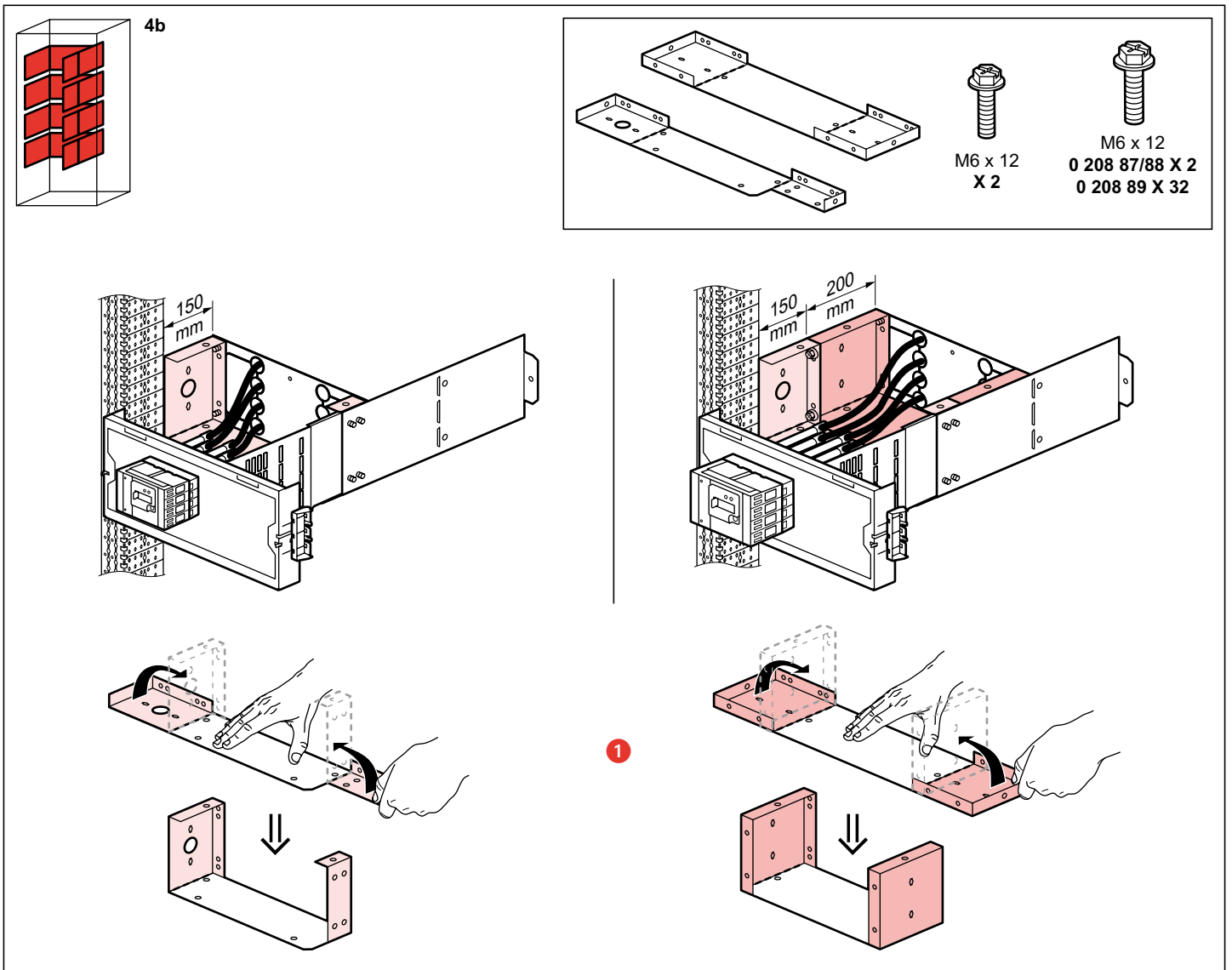
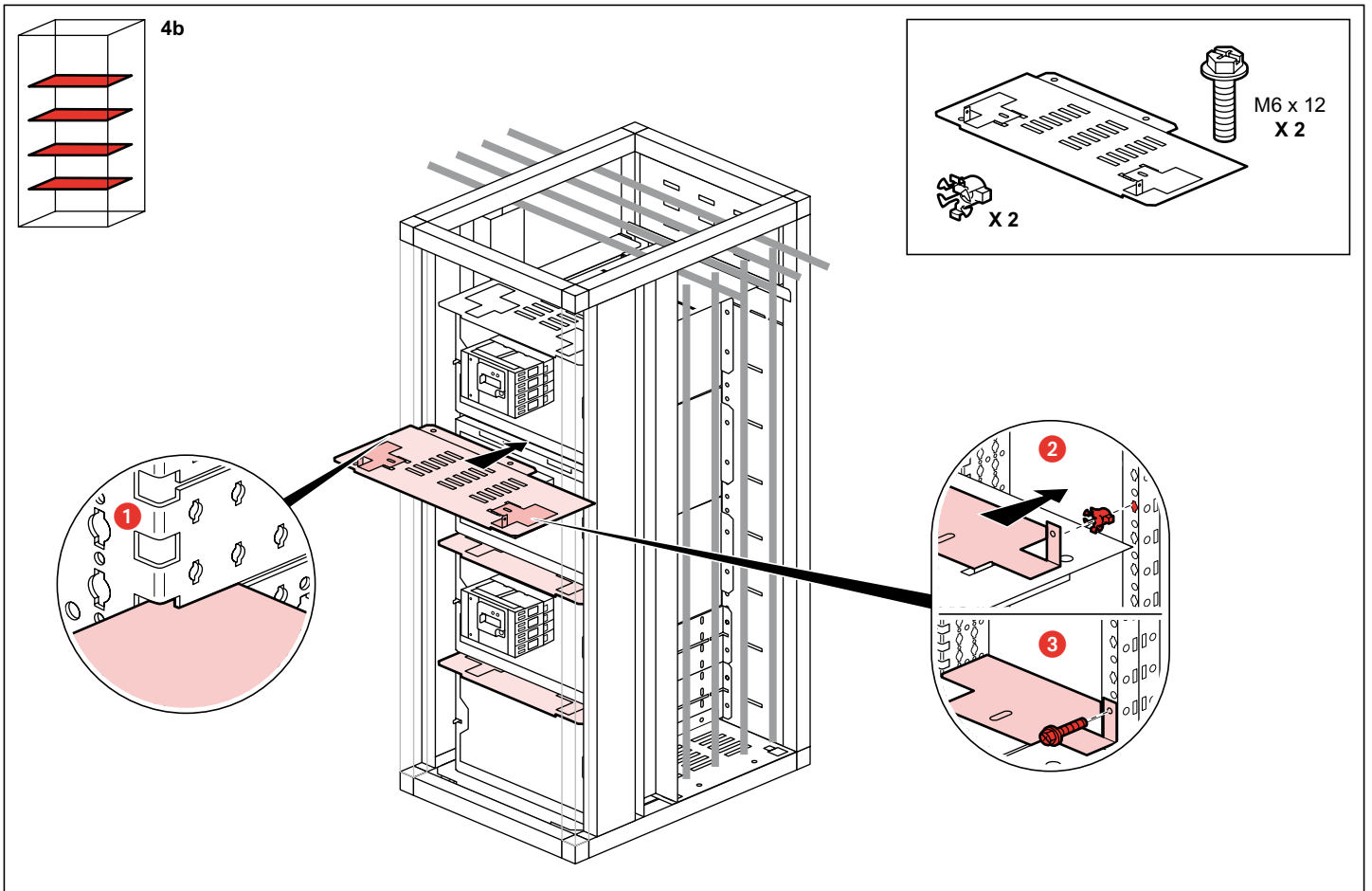
4b

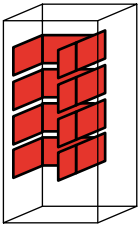




4b



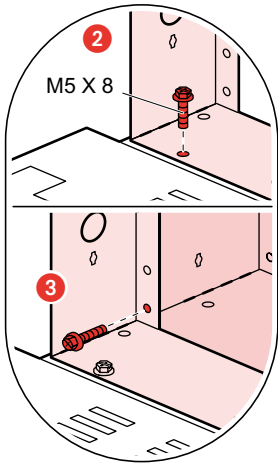
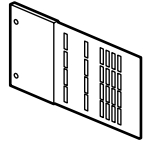
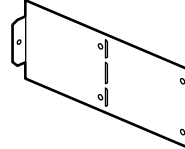
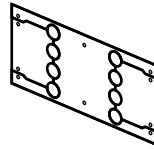




4b



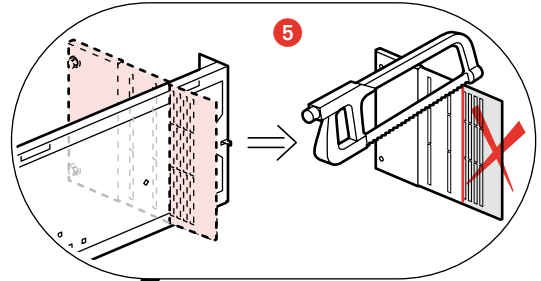
0 208 87/88 X 9
0 208 89 X 18



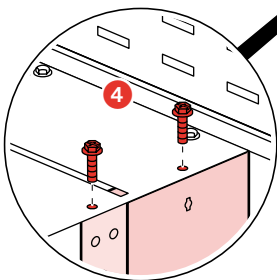
2

M5 X 8

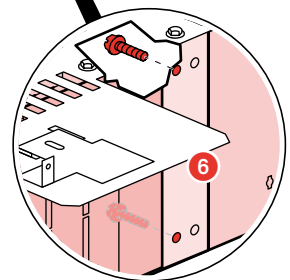
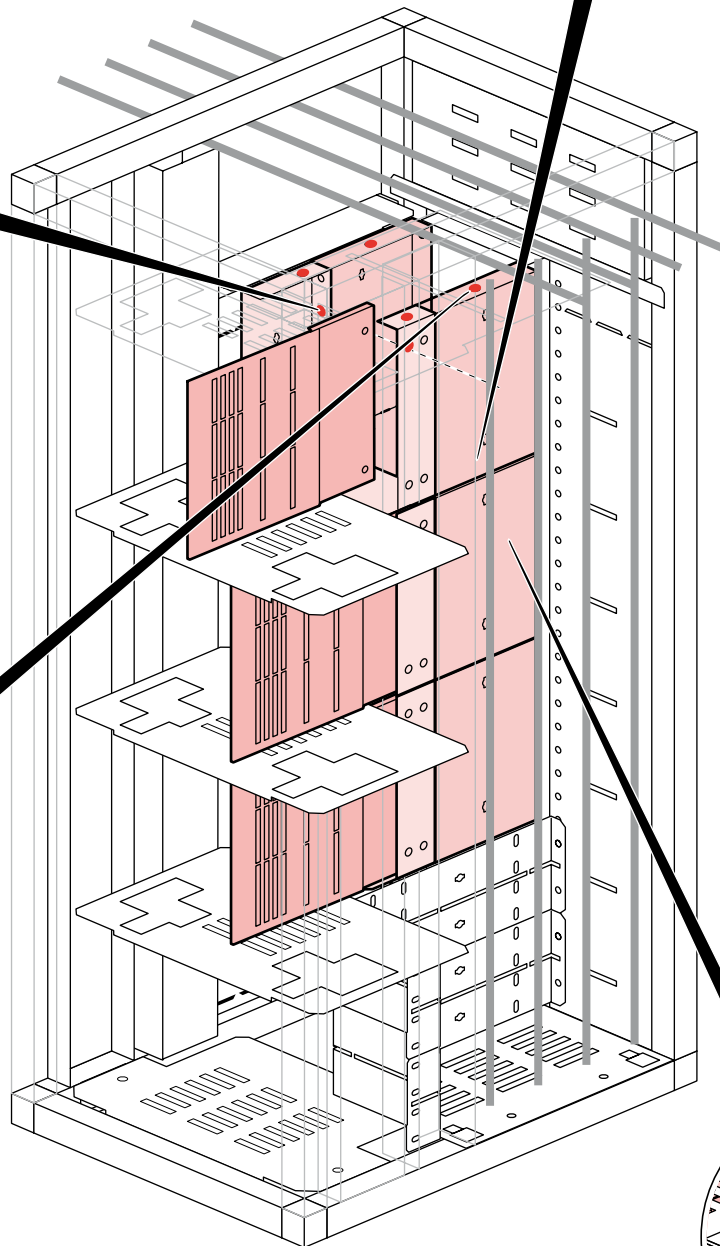
3



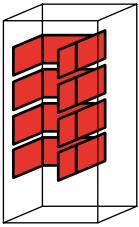
5



4



6



4b

