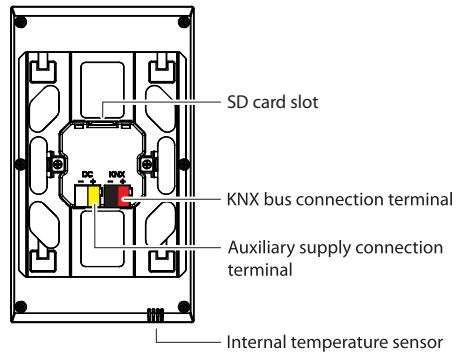
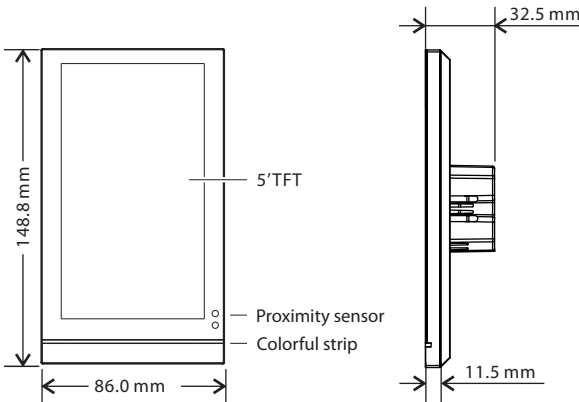
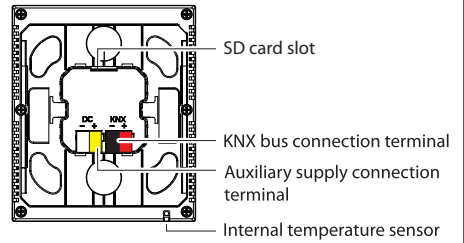
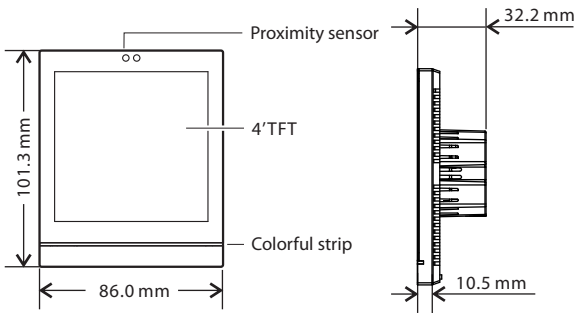
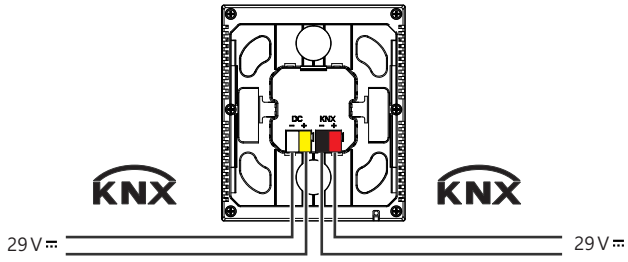


	Bus : 21-30VDC Auxiliary : 24-30VDC
	Bus < 4mA Auxiliary < 130mA
	4 x (Ø 0,6 mm <  < Ø 0,8 mm)
	-5°C → +45°C

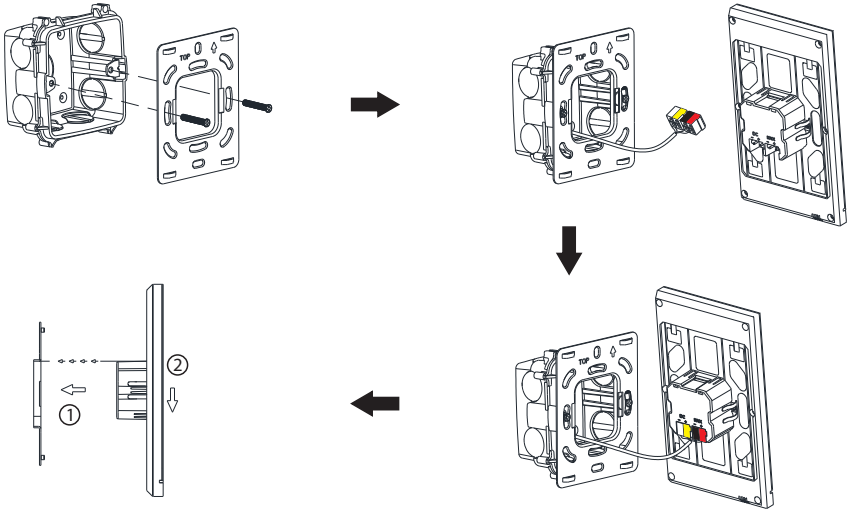
Dimensions



Wiring diagram



Installation



Disassembly

