

1. USE

The media hub light is used to:

- Watch films from a PC or camcorder on TV: HDMI socket
- Watch the content of a USB stick on TV: 1 A USB Data socket
- Charge devices: 2 A USB socket
- Listen to music on a smartphone, tablet, etc on TV: Bluetooth function

Inputs: 2 USB chargers including 1 USB Data, HDMI, Bluetooth audio
 Output: HDMI and USB Data

Specially adapted for remotely locating the connections at the back of the television or monitor when it is mounted on a wall or item of furniture.

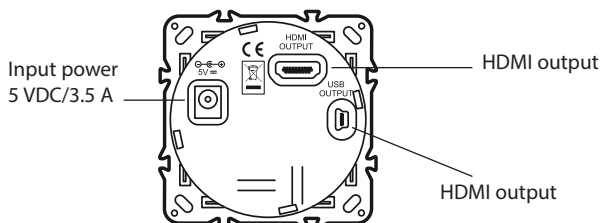
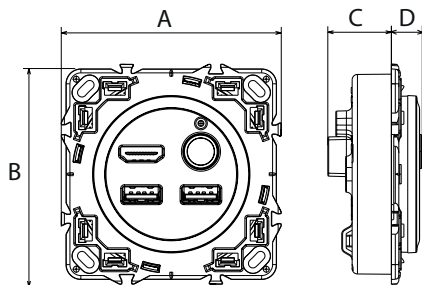
Product to be flush-mounted on a wooden board.

2. RANGE

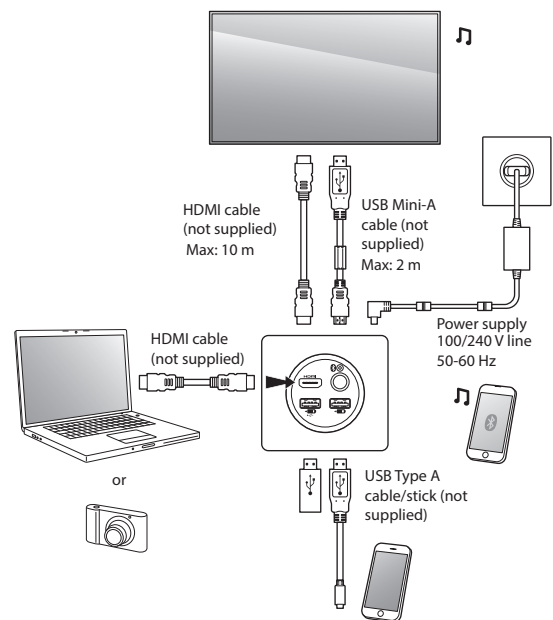
0 673 71	White Celiane Media Hub light
0 673 74	Titanium Celiane Media Hub light
0 673 75	Graphite Celiane Media Hub light

3. DIMENSIONS (mm)

Cat. Nos.	A	B	C	D
0 673 71 - 0 673 74 - 0 673 75	74.1	74.1	21.4	10.4



4. CONNECTION



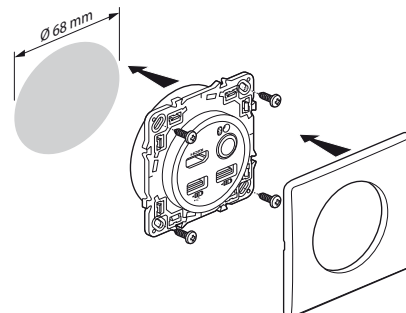
5. MOUNTING

To be flush-mounted on a board with a cut-out made by a hole saw, diameter 68 mm.

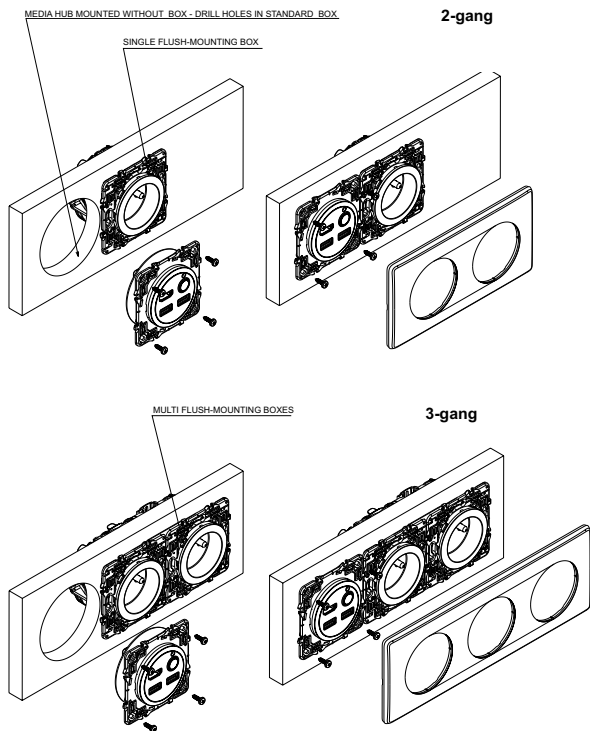
Flush-mounting depth:

- without right-angled HDMI adaptor min: 85 mm
- with right-angled HDMI adaptor min: 40 mm
- USB: 55 mm

Depending on which USB and HDMI cables are used, the minimum flush-mounting depth can be increased in order to ensure the correct bend radii.



5. MOUNTING (continued)



6. TECHNICAL CHARACTERISTICS

6.1 Electrical characteristics

Mains input	100-240V 50/60Hz
Power consumption in active mode	18.5 W maximum
Power consumption in sleep mode	0.2 W maximum
Frequency	2.4-2.4835 GHz
Bluetooth version 3 (supports A2DP Audio Profile)	10 m
USB charger socket	2 x 1.5 A
HDMI version 1.3a	10 m
CEC-compatible	One-touch play

6.2 Mechanical characteristics

Front

- 1 HDMI version 1.3 input connector
- 1 USB 2.0 - 1.5 A input connector for recharging and Data connection with TV
- 1 USB 1.5 A dedicated charging connector
- 1 push-button for HDMI and Bluetooth selection
- 1 Bluetooth activation LED

Rear

- 1 HDMI type socket for TV connection
- 1 mini-USB type socket for TV connection
- 1 x 5 V - 3.5 A power supply socket

6.3 Compatibility:

- HDMI HDCP
- Bluetooth AD2P audio
- CEC

Supplied with external 90-230 V/5 V power supply.

Not supplied with HDMI and USB cables to connect the product to the television.

The HDMI cable to be supplied should be a maximum of 10 m long.

0 517 32	1 m
0 517 33	2 m
0 517 34	3 m
0 517 27	5 m
0 517 20	10 m

The USB cable to be supplied should be the following type: mini-A USB plug/type-A USB plug - Maximum length 2 m (without using a booster).

Right-angled HDMI adaptor Cat. No. 0 517 37 can be used for ease of connecting at the rear.

6.4 Climate characteristics

Operating temperature: +5°C to +45°C

7. COMPLIANCE - APPROVALS

CEC-compatible

If your TV set is CEC-compatible, it can be controlled by the Media Hub. If you connect an HDMI device or press the button, the Media Hub can switch on the TV automatically.

Refer to the TV manual to find out how to enable/disable the CEC function.

If your TV set is not CEC-compatible, use the remote control to select the HDMI input.

Depending on the set manufacturer, HDMI CEC has different trade names:

- Samsung: AnyNet
- LG: Simplink
- Sony: Bravia Link
- Etc

SIMPLIFIED EU DECLARATION OF CONFORMITY

Hereby
Legrand

declare that the radio equipment type

0 673 71

is in compliance with Directive 2014/53/EU.
The full text of the UE declaration of conformity
is available at the following internet address :

www.legrand.com

SIMPLIFIED EU DECLARATION OF CONFORMITY

Hereby
Legrand

declare that the radio equipment type

0 673 74

is in compliance with Directive 2014/53/EU.
The full text of the UE declaration of conformity
is available at the following internet address :

www.legrand.com

SIMPLIFIED EU DECLARATION OF CONFORMITY

Hereby
Legrand

declare that the radio equipment type

0 673 75

is in compliance with Directive 2014/53/EU.
The full text of the UE declaration of conformity
is available at the following internet address :

www.legrand.com