

CONTENTS

Page

1. Use	1
2. Technical Features	1
3. Overall Dimensions	1
4. Connection	2
5. Installation	2
6. Disassembly	2
7. Settings	3
8. Performance	4
9. Configuration	4
10. Care	5
11. Standards	5

1. USE

This device allows a light source to be controlled automatically via a controller through the detection of movement in its surveillance zone.

Movement detector with detection angle of 360°.

Detection type: infra-red (PIR)

Assembly type: ceiling

2. TECHNICAL FEATURES

Voltage: 27 V=

No load power consumption: 12 mA

Connection between detector and actuator: RJ 45 lead or cable or BUS/SCS cable to be fitted with RJ 45 connector

Fitting diameter: 65 mm without fitting unit,
68 mm with fitting unit

Weight: 100 g

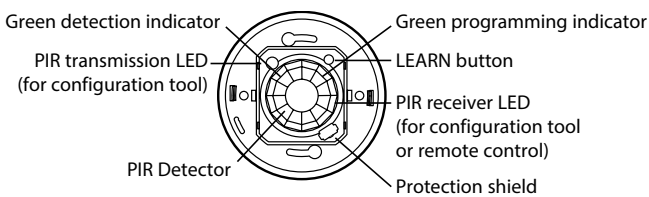
Impact resistance: IK04

Penetration by solid and liquid matter: IP41

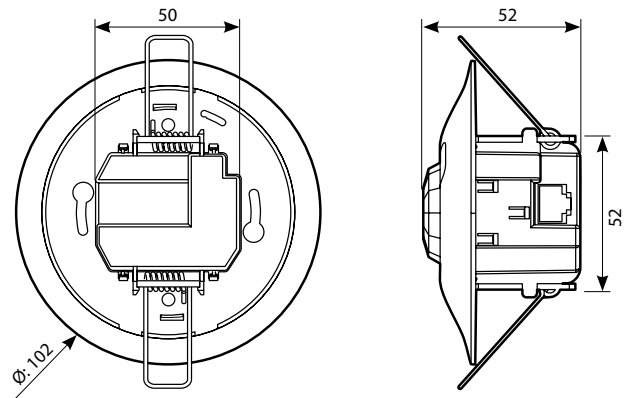
Usage temperature: -5°C to +45°C

Storage temperature: -20°C to +70°C

Cover removed



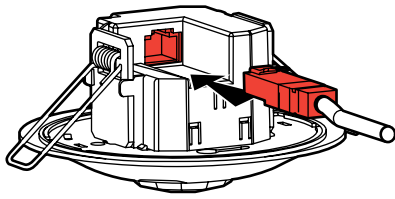
3. OVERALL DIMENSIONS



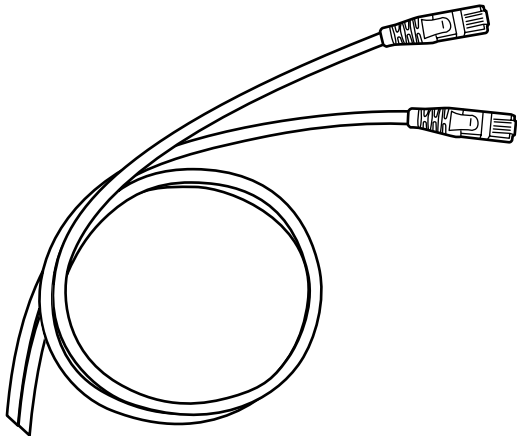
4. CONNECTION

Type of terminals: RJ 45

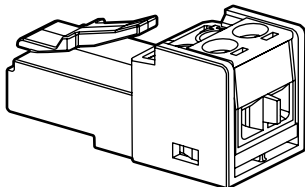
RJ 45



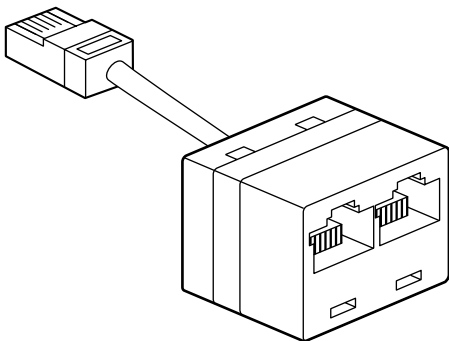
RJ 45 patch and equipment cords



RJ 45 - BUS/SCS connector

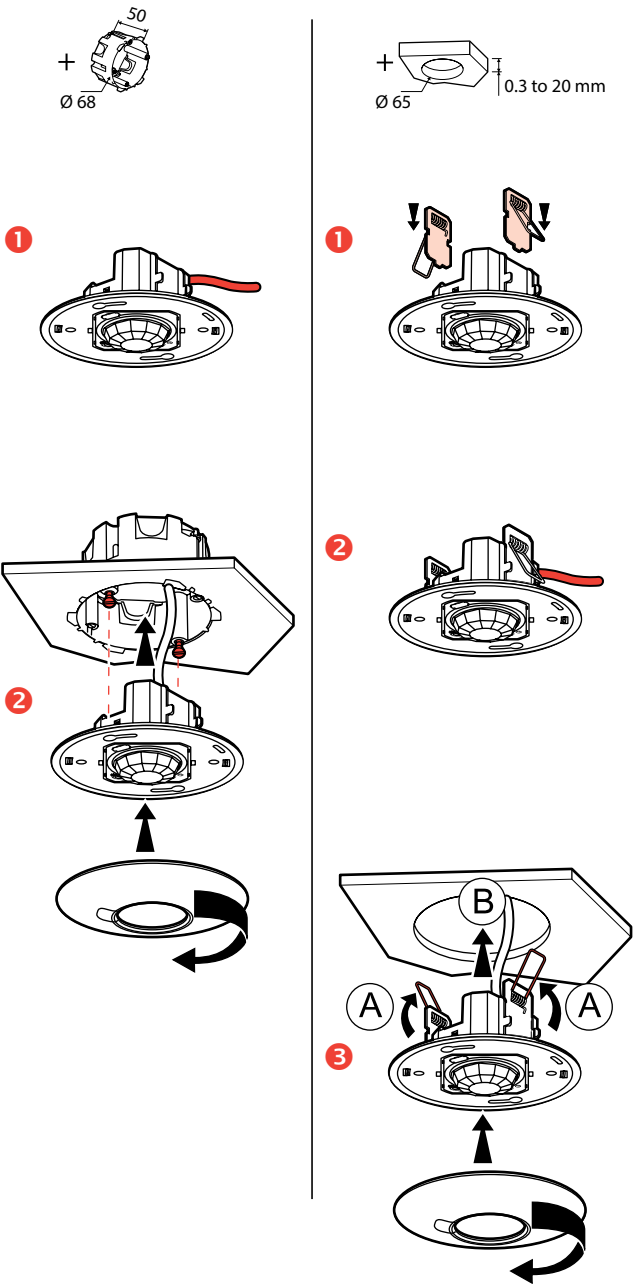


RJ 45 doubler

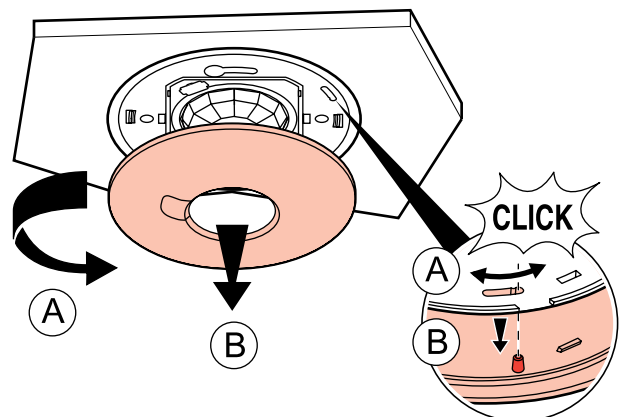


Option: It is possible to manage the detector by infra-red remote control.

5. INSTALLATION



6. DISASSEMBLY



7. SETTINGS

- Parameters:

Detection parameters		Default value	Modifiable parameters	Configuration tools	
				088230	088235
Time delay	15 mins	3,5,10,15,20 mins	-	✓	
		30s - 255 h 59 min 59s	✓	-	
Sensitivity	PIR (very high)	Low, medium, high, very high	✓	✓	
Daylight setpoint	500 lux	20, 100, 300, 500, 1000 lux	-	✓	
		0 - 1275 lux	✓	-	
Modes	Auto on/Auto off	Inactive	Enabled/Disabled	✓	✓
	Walkthrough	Active	Enabled/Disabled	✓	✓
	Manual on/Auto off	Inactive	Enabled/Disabled	✓	✓
	Partial on/Group off	Inactive	Enabled/Disabled	✓	-
Detection scheme	Initial	PIR	not modifiable	✓	-
	Maintain	PIR	not modifiable	✓	-
	Retrigger	PIR	PIR / Disabled	✓	-
Alert	Inactive	Enabled/Disabled	✓	-	
Advanced mode	Calibration	-	0 - 99995 lux	✓	-
	Light regulation	Inactive	Enabled/Disabled	✓	-
	Provision of light	Auto	Auto - 1275 lux	✓	-
	Loop type	Close loop	Open - Close	✓	-

Time delay: Length of time the load is on after a detection is made.

Sensitivity: Detection range setting.

Daylight setpoint: Value at which the load comes on if light is less than the setting and goes off if it is above this threshold.

Auto on/Auto off mode:

Comes on automatically:

- At the detection of a presence if there is an insufficient natural level of light.

Turns off automatically: {19}- If no presence is detected and at the end of the time delay set.

- Or if there is a sufficient natural level of light (activated setting).

Any new detection causes an automatic switch on if there is insufficient light.

Walkthrough:

- If there is no presence detected in the 3 minutes following an initial detection, the product will cut off after 3 minutes.

- If a new presence is detected in the 3 minutes following the initial detection, the device will cut off at the end of the time delay set.

Manual on/Auto off mode:

Comes on via a manual switch, automatic switch off:

- Where no presence is detected and at the end of the time delay set.

Following switch-off any new detection within a 30 second period will cause the device to be switched on automatically.

After 30 seconds the device is switched on via a manual switch.

7. SETTINGS (continued)

Partial on/Group off mode:

Possibility of controlling one or more lighting points individually.

In this mode it is essential for a lighting group to be created:

- either by manual teach phase.

- or from the advanced configuration tool cat. no. 0 882 30 by using the function «PnL capteur» (PnL detector).

The detector switches the loads on that are linked to it via the actuator.

Where there is no detection and at the end of the time delay it switches off all loads in the group to which it belongs.

Initial detection: The load is switched on with the first detection made.

Maintain: The load remains active if any new presence is detected.

Retrigger: Function allowing automatic start of the product at the end of 30 seconds following the load being switched off.

On being switched off any new detection within a 30 second period will cause the device to be switched on automatically.

After 30 seconds the device must be switched on manually.

Calibration: The surrounding level of light measured with a luxmeter will then have to be transmitted to the detector.

Light regulation: Automatic switch-off of the load 10 minutes after the Daylight setpoint is exceeded. If the level of light is less than the Daylight setpoint, the load is activated automatically after 20 seconds.

Provision of light: Quantity of additional lux brought in by the load being switched on.

Loop type: -Close loop: the sensor reads the value of its own lighting cell for light measurement.

-Open loop: the sensor reads the value of an external lighting cell for light measurement.

- Modification of the parameters by the configuration tools

• 0 882 40: Configuration gateway and Legrand Close Up application. The Close Up application is available on the Apple Store and the Play Store



App Store



Google Play

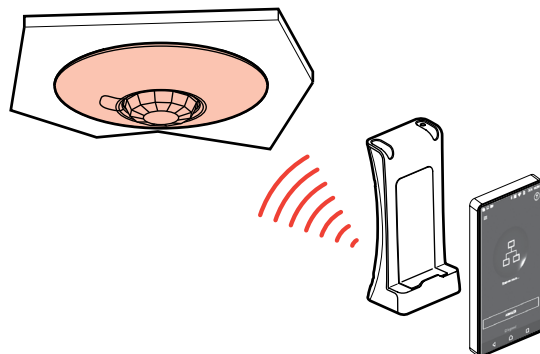


The detector functions are controlled by a number of parameters which can be changed or programmed by an infrared configurator.

In combination with configuration tool 0 882 40, the Legrand Close Up smartphone app can be used to view and modify all the detector parameters with online help.

Point the infrared configuration tool at the detector and send the necessary programming commands to the unit as indicated in the table below.

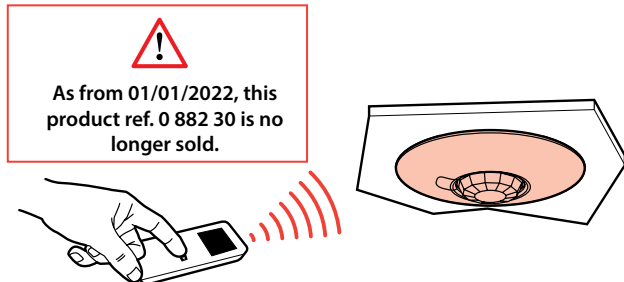
For more information about setting parameters, refer to the data sheet for the configuration gateway Cat. No. 0 882 40.



7. SETTINGS (continued)

- Modifying the parameters using the configuration tools (continued)

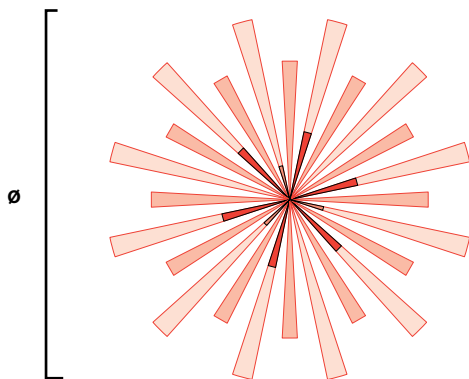
• 0 882 30: Configuration tool
 When the sensor receives an IR command via a configuration tool, it emits a beep confirming that the modification has been taken into account.
 For more information about setting parameters, refer to the data sheet for the configuration tool Cat. No. 0 882 30.



- Restore to factory settings:

- 1st press: Short press on LEARN: the LED flashes slowly.
- 2nd press: Press and hold down LEARN for 10 seconds until the LED flashes quickly.

8. PERFORMANCE



Height (m)	Sensitivity Low (25%)		Sensitivity Medium (50%)	
	Ø (m)	Surface (m ²)	Ø (m)	Surface (m ²)
	2.5	4	15	6
3	5.5	25	6.5	35
4	6.5	35	7.5	45
5	6	30	10.5	90
6	4	15	5.5	25

Height (m)	Sensitivity High (75%)		Sensitivity Very high (100%)	
	Ø (m)	Surface (m ²)	Ø (m)	Surface (m ²)
	2.5	6.5	30	8
3	8.5	60	11.5	100
4	12.5	125	14	155
5	12	115	16.5	215
6	8.5	60	12.5	125

9. CONFIGURATION (MYHOME_Suite software)

Module enabling		Yes - No
Function type		Stand alone presence sensor Scenarios daylight and presence sensor Scenarios daylight sensor Scenarios presence sensor Stand alone daylight sensor Stand alone daylight and presence sensor
Addressing type	Point to point	Area: 0 - 10 Light point: 0 - 15
	Group	Group number
Referent area address		0 - 10
Referent light point add		0 - 15
Enable secondary group		Yes - No
Group sensor 1		0 - 255
Group sensor 2		0 - 255
Enable load control		Enabled - Disabled
Operating mode		See Chapter 7 SETTINGS (Parameters)
PIR sensitivity		
US sensitivity		
Initial detection		
Maintain detection		
Retrigger		
Alert		
Loop type		
Daylight setpoint (lux)		
Provision of light (lux)		
Lighting regulation		

Stand alone presence sensor: the sensor send «ON» command to its associated load or group of load according to presence detection.

Stand alone daylight sensor: the sensor send «ON» command to its associated load or group of load according to light parameters.

Stand alone daylight and presence sensor: the sensor send «ON» command to its associated load or group of load according to presence detection and light parameters.

Scenarios presence sensor: the sensor send «CEN» command to the MH202 (scenario programmer) according to presence detection.

Scenarios daylight sensor: the sensor send «CEN» command to the MH202 (scenario programmer) according to light parameters.

Scenarios daylight and presence sensor: the sensor send «CEN» command to the MH202 (scenario programmer) according to presence detection and light parameters.

Enable secondary group: Activate a group managed by another sensor.

Enable load control: Manage/Don't manage its associated group of loads.

10. CARE

Keep the lens clean.

Clean the surface with a cloth.

Do not use acetone, tar-removing cleaning agents or trichloroethylene.

Resistant to the following products: - Hexane (EN 60669-1)

- Methylated spirit
- Soapy water
- Diluted ammonia
- Bleach diluted to 10%
- Window-cleaning products

Note:

Always test before using other special cleaning products.

11. STANDARDS

Directive: CE

Product standards: IEC 60669-2-1

Environmental standards:

- European Directive 2002/96/EC:

WEEE (Waste Electrical and Electronic Equipment)

- European Directive 2002/95/EC:

RoHS (Restriction of Hazardous Substances)