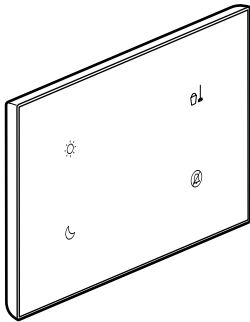


4 functions touch plate BUS-SCS

Cat. No(s): 0 487 77/87
 FL4655/55W/65



CONTENTS	Page
1. Description	1
2. Technical characteristics	1
3. Standards, certifications and markings	1
4. Dimensions	1
5. Wiring	2
6. Installation	2
7. Configured version Cat. No. 0 487 87/FL4665	3

1. DESCRIPTION

This touch plate has 2 buttons which can be used to control the lighting, roller blinds and scenarios (wake up/sleep).

It indicates and can also be used to activate the housekeeping information:

- Do Not Disturb
- Make Up Room

In configured version, scenarios can be assigned to the 4 buttons.

It has a proximity sensor which can be disabled by configuration: when the device detects an approach, it switches from standby state to active state. The LED brightness level (on standby and active) and the time delay before returning to standby state can also be set by configuration.

Configuration is possible with the MyHotel_Suite software on SCS installations which include the MH201 device, or with the Hotel Room Controller Software on IP installations which include the 0 484 08 or 0 484 12 device.

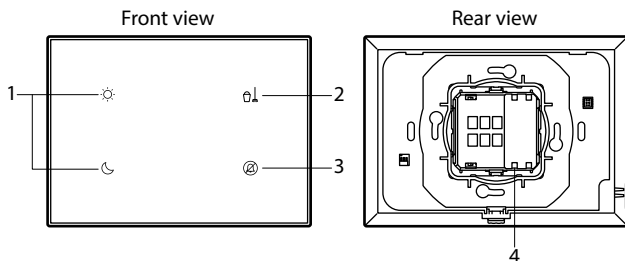
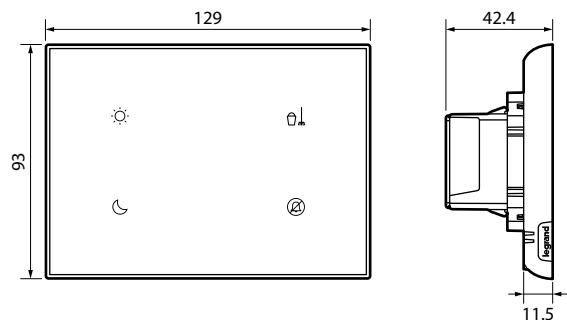
2. TECHNICAL CHARACTERISTICS

BUS/SCS power supply:	18 - 27VDC
Consumption with screen off:	8 mA
Consumption with ultra-bright screen:	15 mA
Operating temperature:	0°C to +40°C
Storage temperature:	-20°C to +70°C
Protection index:	IP 20, IK 04
Plate and surround colour (standard):	Black Cat. No. 0 487 77/FL4655 or White Cat. No. FL4655W

3. STANDARDS, CERTIFICATIONS AND MARKINGS

EN 60669-2-5
 CE marked

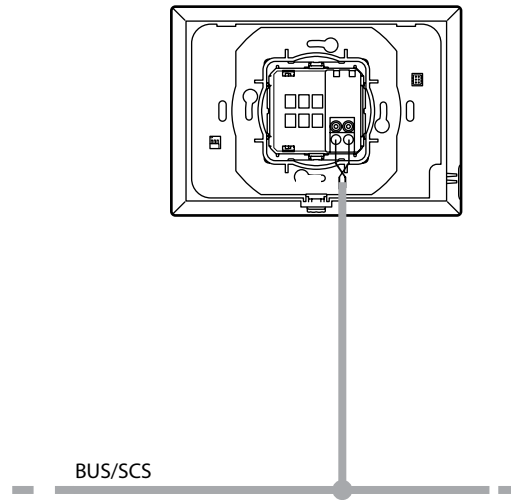
4. DIMENSIONS



Key

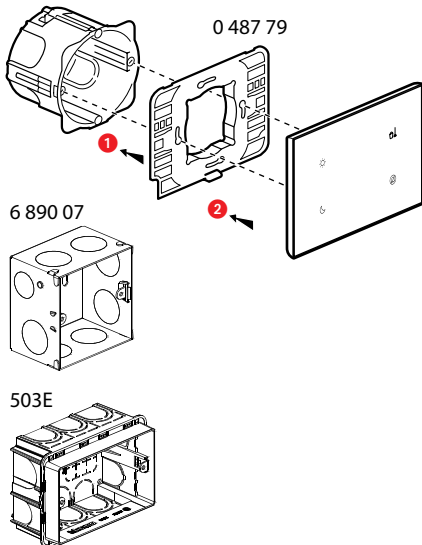
1. Scenarios
2. MUR indicator (green LED on = MAKE UP ROOM)
3. DND indicator (red LED on = DO NOT DISTURB)
4. Connection to the bus

5. WIRING

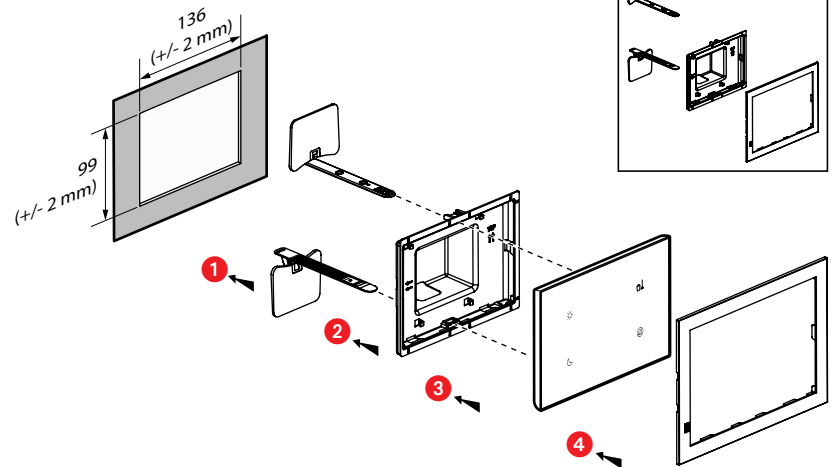


6. INSTALLATION

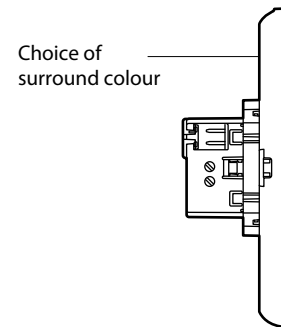
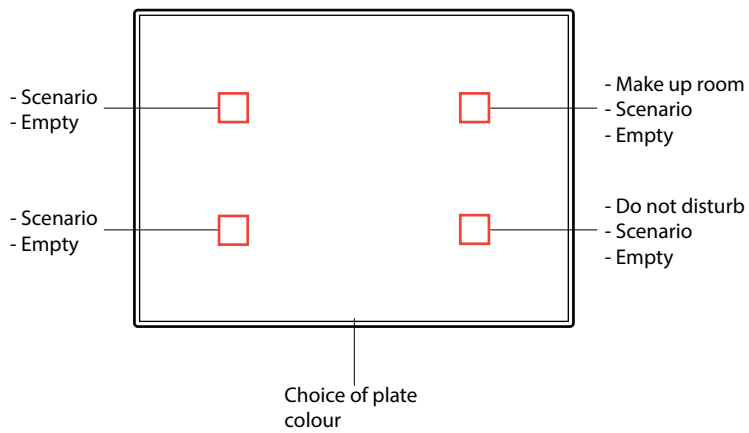
Surface-mounted with flush-mounting boxes
0 800 41



Flush-mounted with accessory Cat. Nos. 0 487 88/89



7. CONFIGURED VERSION CAT. NO. 0 487 87/FL4665



- Options (predefined position):
- Hotel logo
 - Flush-mounted version

The configurator is available on the following website: www.uxforupscalehotel.legrand.com.
The list of pictogram and colour options (plate and surround) can be accessed via the configurator.