

0 337 82



0 337 85

SOMMAIRE

Page

1. GENERAL CHARACTERISTICS	1
2. POSITIONING	1
3. TECHNICAL CHARACTERISTICS	2
4. INSTALLATION	2
5. DIMENSIONS	2
6. TYPICAL RJ45 CONNECTION.....	2
7. STANDARDS ANS APPROVALS	2
8. ACCESSORIES	3
9. PERFORMANCES	3

1. GENERAL CHARACTERISTICS

Equipped with new-generation Soluclips for automatic fixing (screwless) on cabinet and enclosure uprights.

Universal mounting in all racks or cabinets with automatic earthing on unpainted panels. Painted panels can be connected to earth with a cord and a screw connection (round pod Ø 4mm mini) or Faston pod 6.35.

Equipped with rear cable guide to hold cable during maintenance.

Equipped with 4 cassettes of 6 LCS3 RJ45 Cat. 8 connectors with toolless fast connection, marked 568 A/B.

Supplied with different colour identification labels for each cassette (blue, white, yellow, orange).

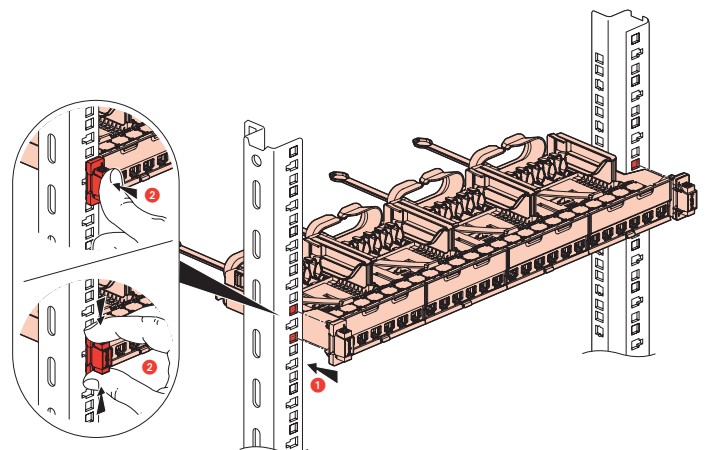
Conforming to standards ISO/IEC 11801 edition 3.0 (2017) and EIA/TIA 568 C2-1.

19» panel - 1 U.

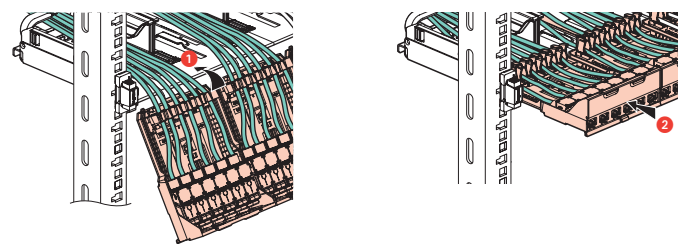
Cassettes removed automatically by simply pressing the button on the front.

Each connector can be removed individually.

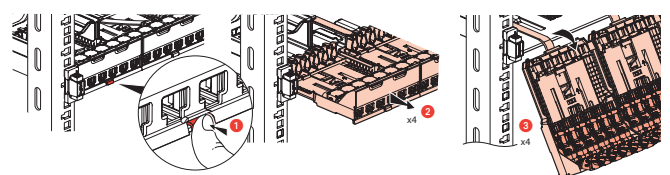
Mounting a panel



Mounting a cassette



Removing a cassette



Désignation	FTP	Poids (g)
24 RJ 45 Cat. 8 STP panel	0 337 82	2841
6 RJ 45 Cat. 8 STP connectors	0 337 85	54

2. POSITIONING

Connectors are connected at the front without a special tool.

- Connectors clip onto the panel individually

No need for cable ties: the cable is held in its cable guide in the cassette and by a concentric strand guide on the panel.

3. TECHNICAL CHARACTERISTICS

3.1 Material characteristics

Panel: DC01 galvanised sheet steel

Connector:

- Contacts: gold/nickel, thickness of gold > 0.8 µm minimum
- Metal parts: bronze, nickel, platinum, gold, zamak, nickel silver
- Polycarbonate

3.2 Electrical characteristics

Breakdown voltage : 1000 V

Contact resistance : 20 mΩ

Insulation resistance : 500 MΩ under 100 V DC

Withstand performance to a POE signal up to 50 W

3.3 Mechanical characteristics

Max. number of connections and disconnections: 5 without replacing the wire

Endurance: 750 operations (plug-in/pull-out)

IK03

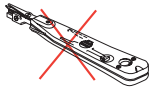
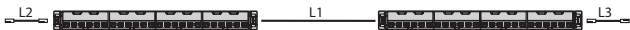
3.4 Caractéristiques climatiques

Operating temperature : -40°C à +70°C

Temperature of storage : -25°C à +70°C

Humid heat 21-day cycle

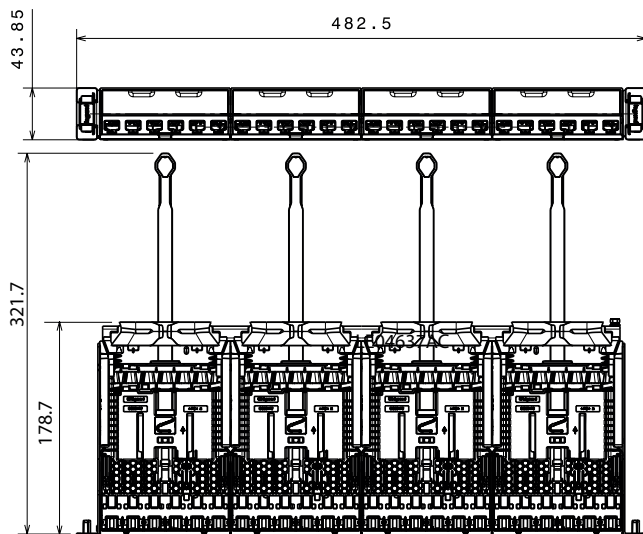
4. INSTALLATION



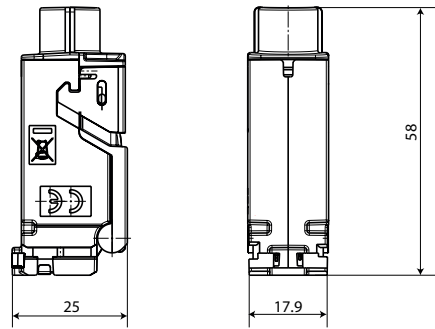
Cat 8 L1+L2+L3 < 30 m

5. DIMENSIONS

0 337 82 panel dimensions



0 337 85 connector dimensions



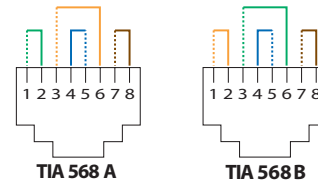
6. TYPICAL RJ45 CONNECTION

Takes the following plugs:

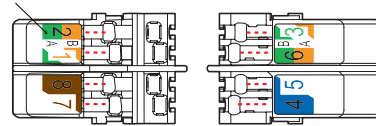
RJ 45 (9 contacts).

TIA 568 A and B dual colour code on terminals:

- STP 9 contacts

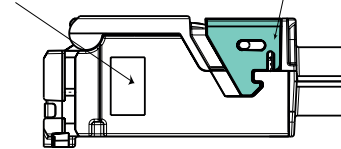


Colour code and contact number



Identification number
STP : HD 83

Catégorie colour code :
Cat. 8 aqua



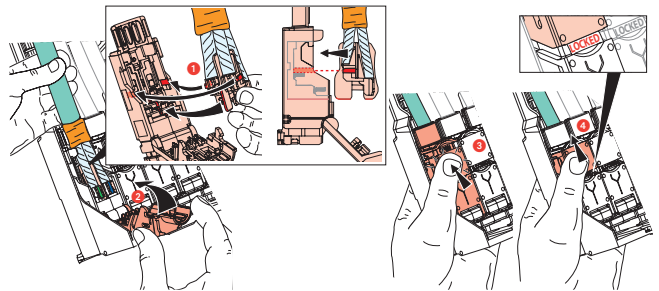
Permissible conductors:

- Single-core : 0,5 to 0,65 mm, AWG 22 to 24

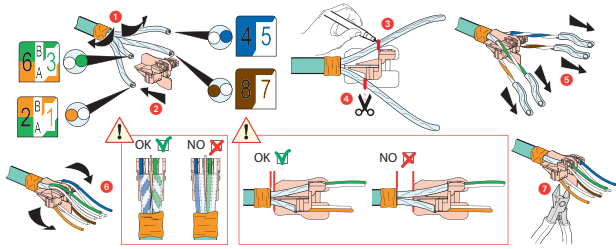
- Polyethylene conductor insulation: Max. insulation Ø: 1.75 mm

Number of wires to be connected per connection: 1

RJ45 connectors are equipped with a locking nut. They do not require a special tool and can be re-wired if a mistake is made.



This system makes it easy to spread pairs before fitting them onto the connector.



Spreading the cables and positioning the sleeve firmly in the spreader ensures that a pair-breakage distance of 13 mm is kept between pairs, as required by the standard. Spreading pairs with a metallic cross ensures the best possible performance.

7. STANDARDS AND APPROVALS

ISO/IEC 11 801
ANSI/TIA 568

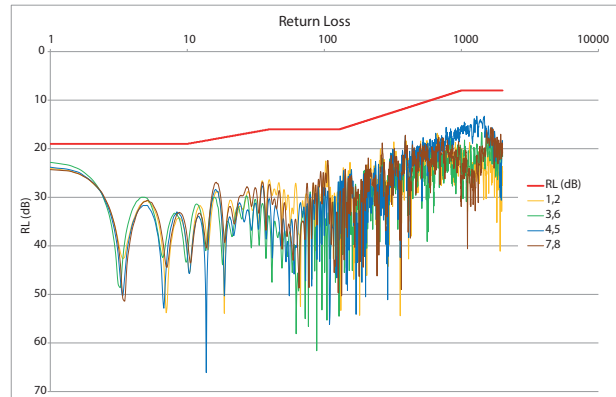
8. ACCESSORIES

- **0 337 57:** Blanking cassette
Used to fill gaps in the panel.
- **0 337 57:** Port blanking plate
Blanking plate with 6 separable ports
Used to block up individually, partially or fully 1 to 6 ports (cassette with 6 ports) or 1 to 12 ports (HD cassette).
- **0 337 59:** Cable guide
2 cable guides to be clipped onto new-generation Soluclips.
Manages cables laterally by holding them and tilting them horizontally and vertically.

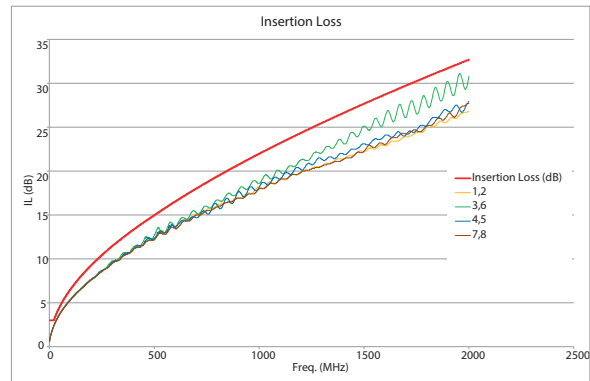
9. PERFORMANCES

9.1 Permanent link performances with S/FTP cable

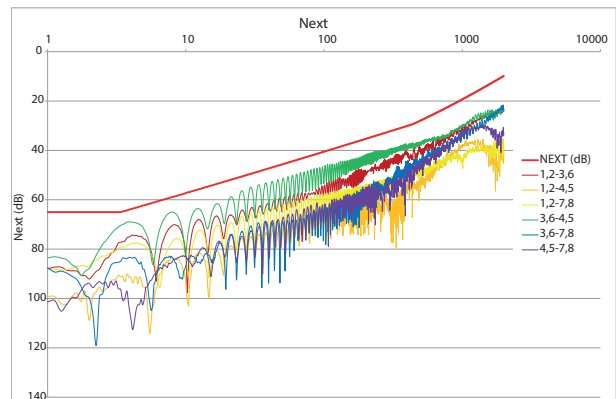
Return loss



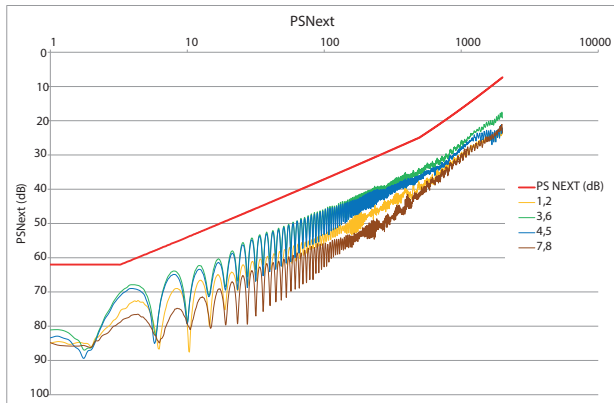
Attenuation



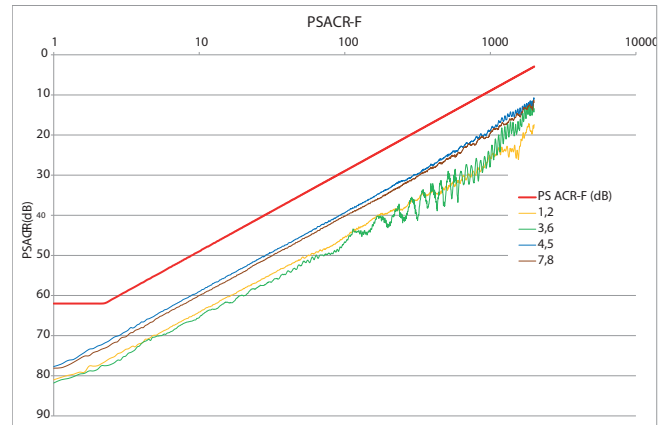
NEXT (Near end Crosstalk Attenuation)



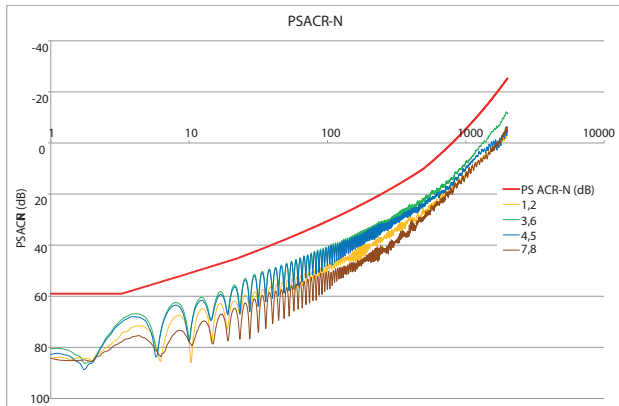
PS NEXT (Power Sum NEXT)



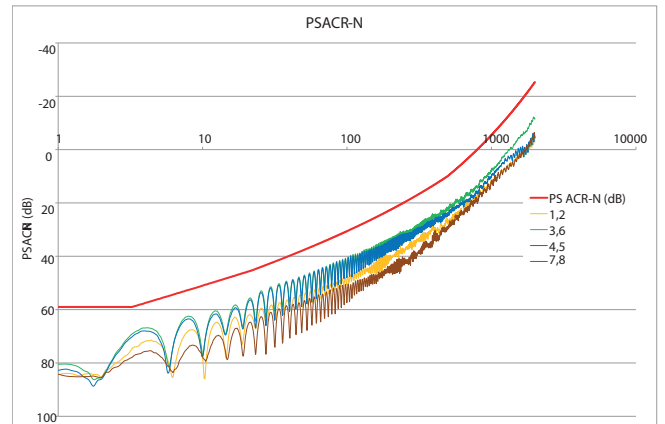
PSACR-F



ACR (Attenuation to Crosstalk Ratio)



PSACR-N



ELFEXT (Equal Level End Crosstalk Attenuation)

