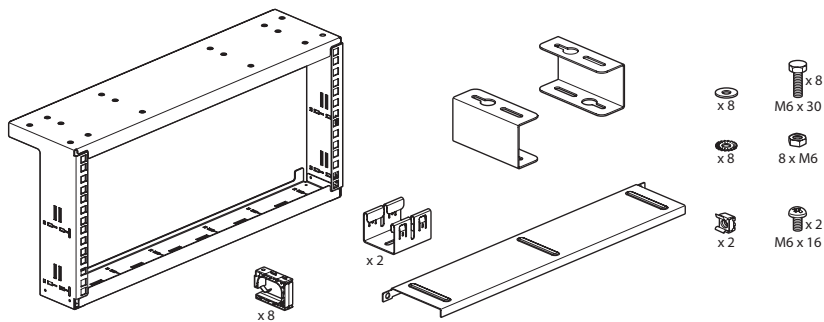


Access 4U 19" panel for cable tray/cablofil

Cat. No(s): 0 321 89



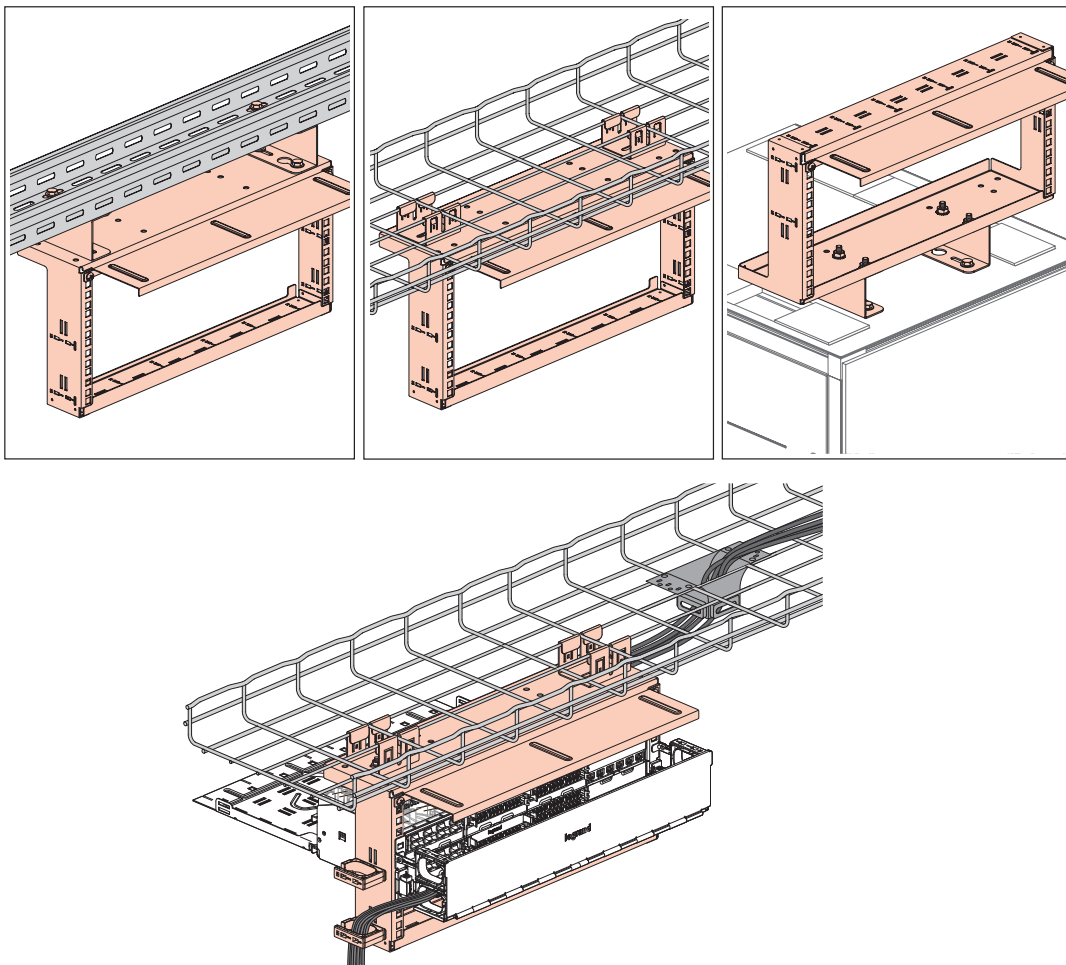
1. USE

Remote patch solution up to 4U for mounting on cable tray and Cablofil.
Compatible with all 19" fiber optic and copper panels of the LCS3 offer.
Use of side cord guides to ensure proper cord management.
Equipped with a ground recovery solution.

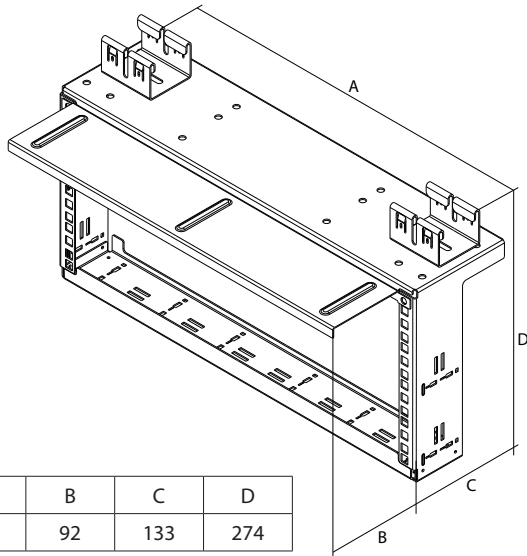
This support is delivered with its high protection, cord guides and specific accessories for fixing:

- on sheet metal or wire cable tray
- on bay

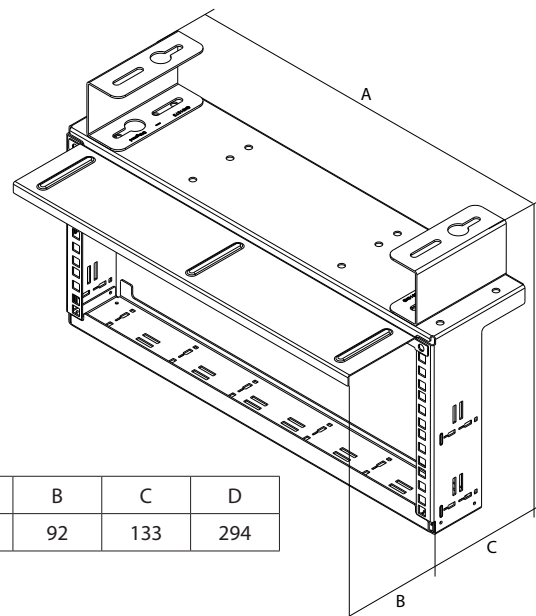
2. POSITIONING



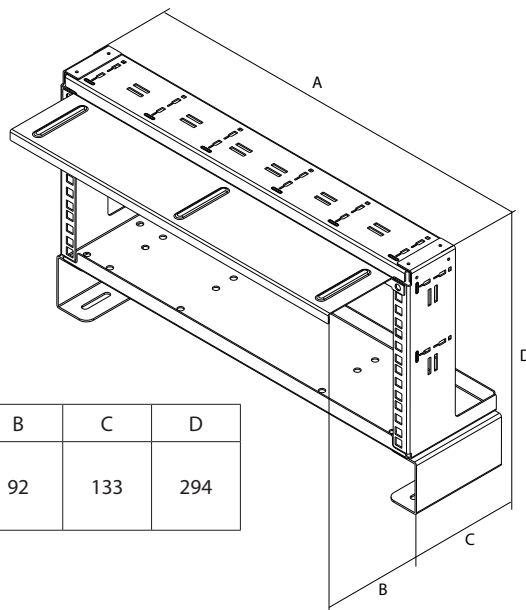
3. DIMENSIONS (en mm)



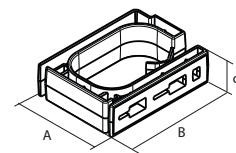
A	B	C	D
493	92	133	274



A	B	C	D
493	92	133	294



A	B	C	D
493 509 for entraxe 19"	92	133	294



A	B	C
41	57	15

4. TECHNICAL CHARACTERISTICS

Material : Main support: galvanized steel
 High protection: black painted steel
 Accessories: galvanized steel
 Cord guide: plastic : ABS/PC RAL 9017
 Weight (with brackets/interface) : 3 300g

Operating and storage temperature: -20°C to + 60°C

Standard: IEC 60297-3-100