

UXOne flush mounting Hotel thermostat 230V

0 489 00 - 0 489 02 - 0 489 15 - 0 489 24 - 0 489 80
465001 - 465003 - 465015 - 465024 - 465080

Description

UXOne is a room controller embedded in a thermostat for hotels, it can manage thermoregulation both for heating and/or cooling, occupancy detection and basic scenarios.

From the display it's possible to see measured or setpoint temperature, control fan speed and switch to thermal protection mode. The device is available with or without Do not disturb/Make up room icons and with the option to add a third icon (custom version 465080, 465081, 465082, 465083, 0 489 80, 0 489 81, 0 489 82, 0 489 83).

UXOne can manage both fancoil through fancoil unit actuator LG-048910 and centralized thermoregulation systems through integration with BACnet protocol.

The occupancy detection is done through the embedded proximity sensor, additional door/window contacts and PIR sensors, or through the integration with door lock to provide virtual keycard function to manage scenarios with thermoregulation and light/curtains/shutters.

Proximity sensor also activates the display. LED brightness level and the time delay before returning to stand-by state are set during the configuration.

UXOne thermostat is compatible with wiring devices

With Netatmo ranges (Celiane, Arteor, Living Now, Living Light, Matix Go, Mallia Senses and Valena Next) to create and manage room scenarios.

Related items

For fully recessed solution:

- 0 489 90 Flat mounting accessory
- 0 489 91 Frame for flat mounting accessory black
- 0 489 92 Frame for flat mounting accessory white
- 0 489 84 Frame for flat mounting accessory custom

Technical data

Power supply:	110 – 230 Vac
Capacity of the power terminals:	1.5 mm ²
Capacity of the input and output terminals:	0.2 – 0.5 mm ²
Maximum consumption:	17 mA
Operating temperature:	0 – 40 °C
Storage temperature:	(-20) – (+70) °C
Unit of measure:	°C or °F
Protection index:	IP 20, IK 04

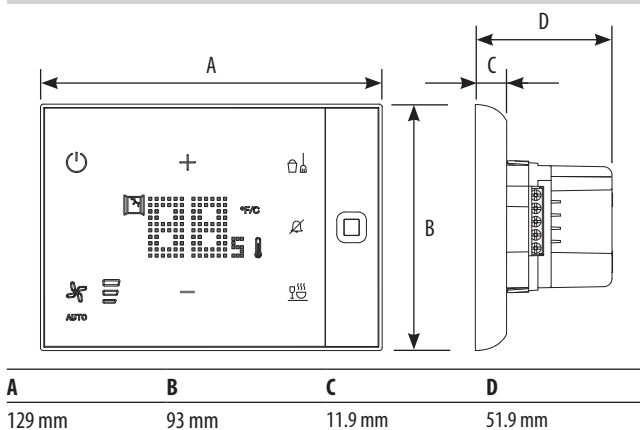
Wireless device in compliance with 802.11b/g/n standard, channel 1-11, frequency 2.4 – 2.4835 GHz, transmission power < 20 dBm.

WEP/WPA/WPA2 safety protocol. Protocol IPv4

Technology: 2.4 GHz Radiofrequency band (16 channels) - Byte rate: 250 KB/s. Self healing MESH network with high security level (AES128) according to IEEE 802.15.4 (LR-WPAN) standard.

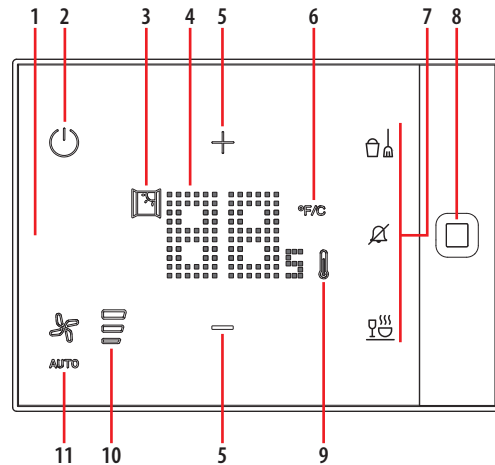
The device is delivered without configuration, the heating and air-conditioning values will have to be set.

Dimensional data

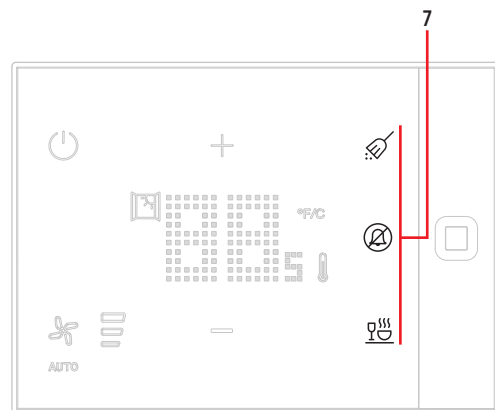


Front view

0 489 00 - 0 489 02 - 0 489 15 - 0 489 24 - 0 489 80



465001 - 465003 - 465015 - 465024 - 465080

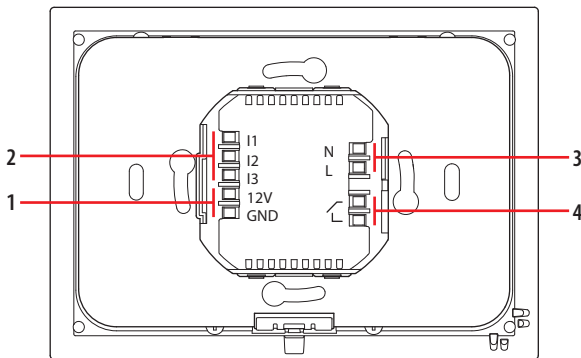


Legend

1. Touch screen display
2. MODE key:
ON or antifreeze/thermal protection function
3. "Open window" indicator
4. Temperature display
5. Keys for temperature setting
6. Key for temperature measurement unit selection (Celsius/Fahrenheit)
7. Scenario control keys; the number and the scenarios recalled depend on the item
Note: Items 0 489 00 - 0 489 02 - 465001 - 465003 do not have scenario buttons
8. Infrared proximity and presence detector
9. Indicator with red light ON: heating mode
Indicator with blue light ON: cooling mode
10. Fan speed indicator: 3 levels plus automatic
11. Fan adjustment key

Warning: In case of a power failure, the device does not work and cannot be reached, any collection of personal data is interrupted.

Rear view



Legend

- 1. Output clamps 12V – 150mA
- 2. Contact input clamps
- 3. Power supply clamps
- 4. Contact output clamps

Configuration

For device configuration and installation and for any other information, refer to the documentation that can be downloaded from the website:



www.homesystems-legrandgroup.com

To download the App from Apple Store or Google Play search for "Hotel + Project".



App Hotel + Project



ANDROID: requires Android 5.0 or higher with access to Google Play
iOS: requires an iPhone or iPad with iOS 12,0 or later



Desktop

Win/Mac requirements:

- 500MB disk space
- Wi-Fi network card
- internet connection
- webcam (to configure greenpower devices)
- operating systems: from Microsoft Windows® 10; from macOS 10.15 Catalina.

THIRD PARTY SOFTWARE LICENCES

FreeRTOS kernel

Version 10.2.0

The FreeRTOS kernel and other FreeRTOS libraries are distributed for free under the MIT open source license (SPDX-License-Identifier: MIT).

Permission is hereby granted, free of charge, to any person obtaining a copy of this software and associated documentation files (the "Software"), to deal in the Software without restriction, including without limitation the rights to use, copy, modify, merge, publish, distribute, sublicense, and/or sell copies of the Software, and to permit persons to whom the Software is furnished to do so, subject to the following conditions:

The above copyright notice and this permission notice shall be included in all copies or substantial portions of the Software.

THE SOFTWARE IS PROVIDED "AS IS", WITHOUT WARRANTY OF ANY KIND, EXPRESS OR IMPLIED, INCLUDING BUT NOT LIMITED TO THE WARRANTIES OF MERCHANTABILITY, FITNESS FOR A PARTICULAR PURPOSE AND NONINFRINGEMENT. IN NO EVENT SHALL THE AUTHORS OR COPYRIGHT HOLDERS BE LIABLE FOR ANY CLAIM, DAMAGES OR OTHER LIABILITY, WHETHER IN AN ACTION OF CONTRACT, TORT OR OTHERWISE, ARISING FROM, OUT OF OR IN CONNECTION WITH THE SOFTWARE OR THE USE OR OTHER DEALINGS IN THE SOFTWARE.

www.freertos.org

Lwip

Version 2.0.3

LwIP is licenced under the BSD license:

Copyright (c) 2001-2004 Swedish Institute of Computer Science.

All rights reserved.

Redistribution and use in source and binary forms, with or without modification, are permitted provided that the following conditions are met:

1. Redistributions of source code must retain the above copyright notice, this list of conditions and the following disclaimer.

2. Redistributions in binary form must reproduce the above copyright notice, this list of conditions and the following disclaimer in the documentation and/or other materials provided with the distribution.

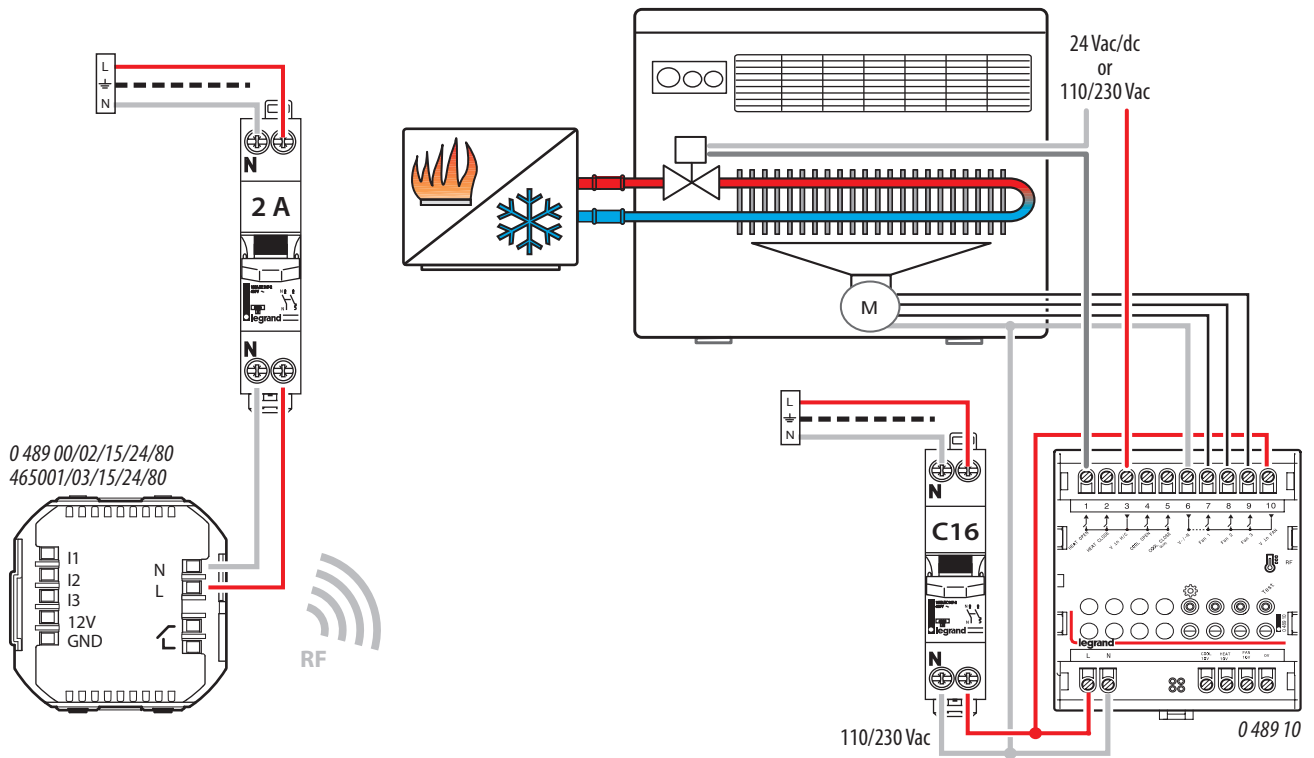
3. The name of the author may not be used to endorse or promote products derived from this software without specific prior written permission.

THIS SOFTWARE IS PROVIDED BY THE AUTHOR "AS IS" AND ANY EXPRESS OR IMPLIED WARRANTIES, INCLUDING, BUT NOT LIMITED TO, THE IMPLIED WARRANTIES OF MERCHANTABILITY AND FITNESS FOR A PARTICULAR PURPOSE ARE DISCLAIMED. IN NO EVENT SHALL THE AUTHOR BE LIABLE FOR ANY DIRECT, INDIRECT, INCIDENTAL, SPECIAL, EXEMPLARY, OR CONSEQUENTIAL DAMAGES (INCLUDING, BUT NOT LIMITED TO, PROCUREMENT OF SUBSTITUTE GOODS OR SERVICES; LOSS OF USE, DATA, OR PROFITS; OR BUSINESS INTERRUPTION) HOWEVER CAUSED AND ON ANY THEORY OF LIABILITY, WHETHER IN CONTRACT, STRICT LIABILITY, OR TORT (INCLUDING NEGLIGENCE OR OTHERWISE) ARISING IN ANY WAY OUT OF THE USE OF THIS SOFTWARE, EVEN IF ADVISED OF THE POSSIBILITY OF SUCH DAMAGE.

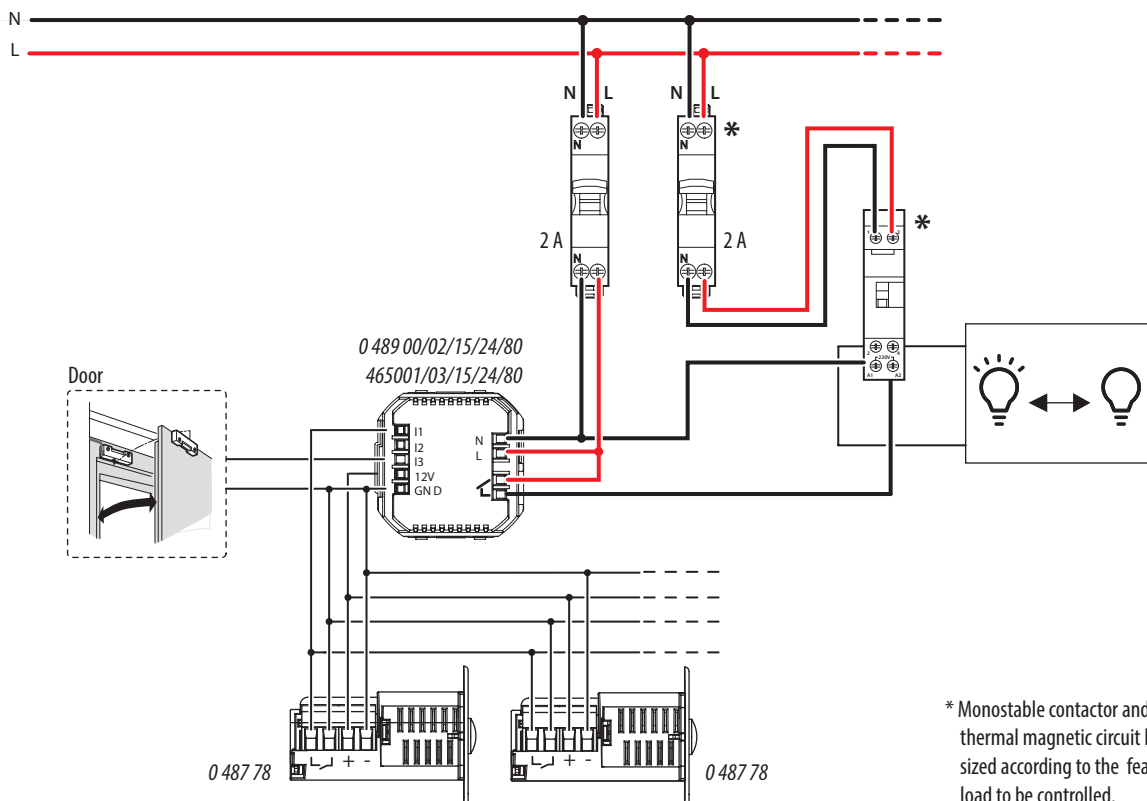
During power shortage the device is not working and not reachable, any collection of personal data is stopped.

Wiring diagrams

Thermoregulation control through fancoil unit actuator
 2-pipe system, ON/OFF valve, 3-speed ventilation.

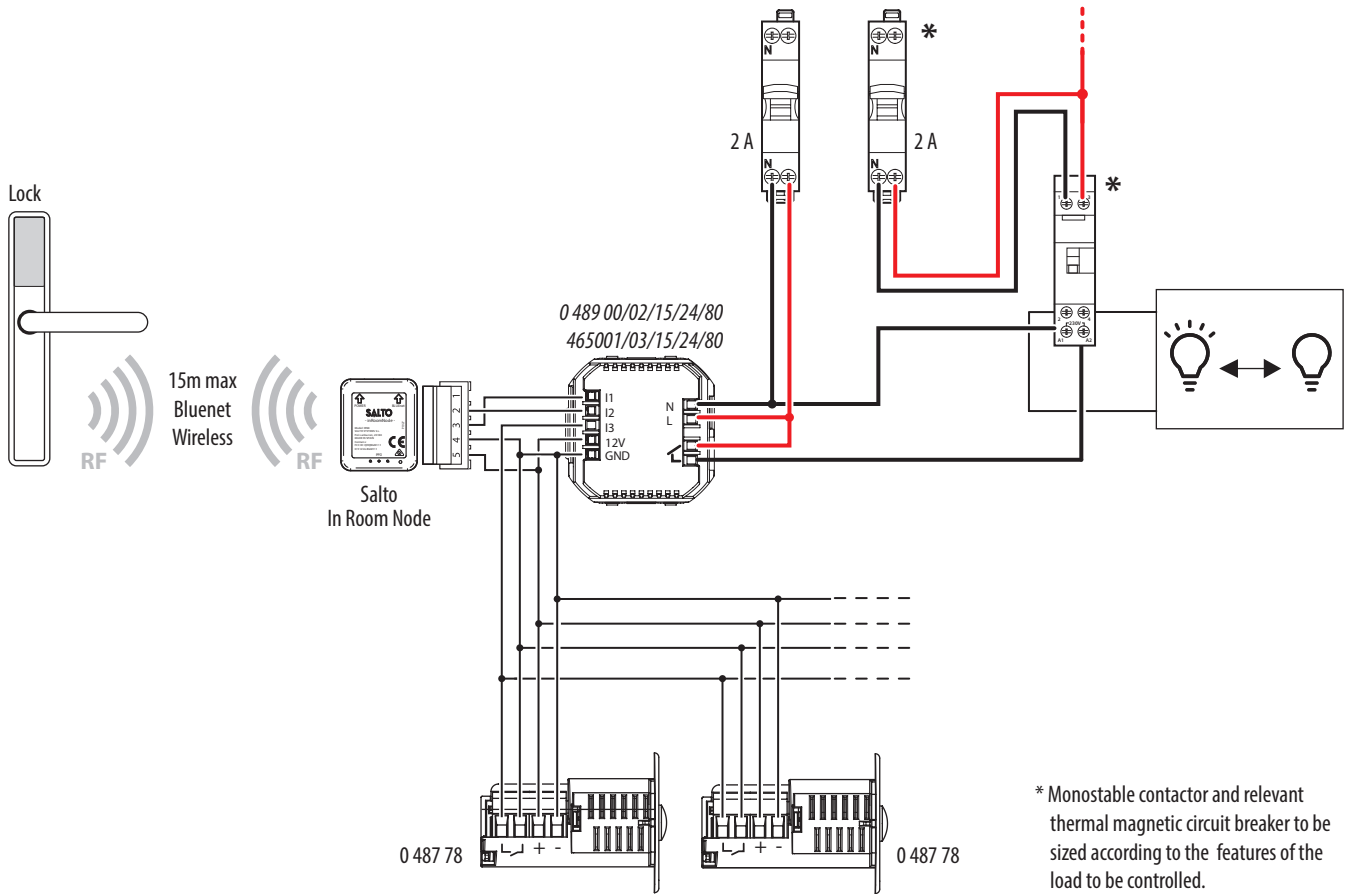


Virtual keycard function (through door contact)

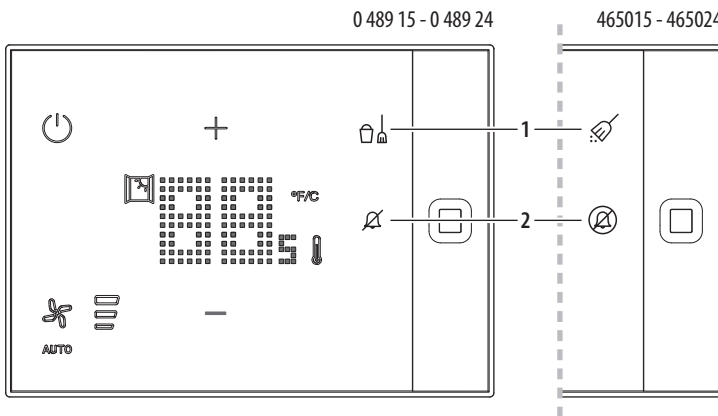


* Monostable contactor and relevant thermal magnetic circuit breaker to be sized according to the features of the load to be controlled.

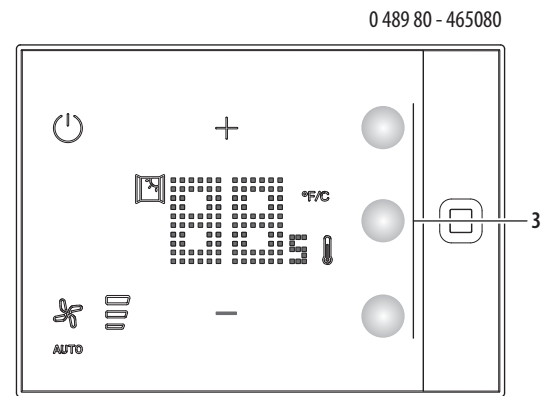
Virtual keycard function (integration with Salto doorlock)



Scenarios



1. It runs the "Make up the room" scenario.
2. It runs the "Do not disturb" scenario.



3. Run a customised scenario: it is possible to customise the pushbutton graphics when ordering by connecting to <https://uxforhotels.legrand.com> and configuring the scenario to be executed using the Hotel + Project software.

Characterization of the motion detector

The characterization of the PIR motion detector was carried out in a room with a temperature of 25° C. The product was installed at a height of 1.40 m (at position 0 on the image below). Each tile at image level is 60 x 60 cm and the test subject is 1.80 m tall.

The product achieves a motion detection of 5 m in front and 3 m with an angle of 45°, which represents an area of approximately 12.5 m².

 Presence and proximity detection does not work for the first 30 seconds after the product is powered on.

