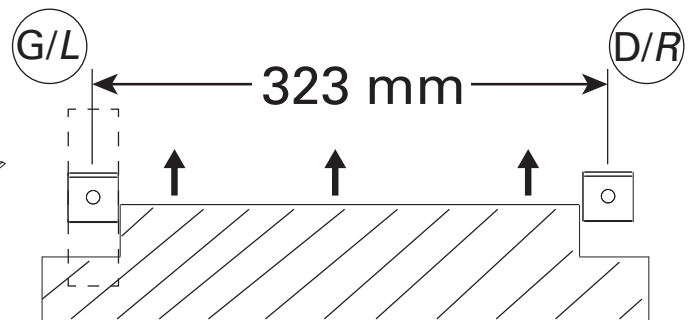
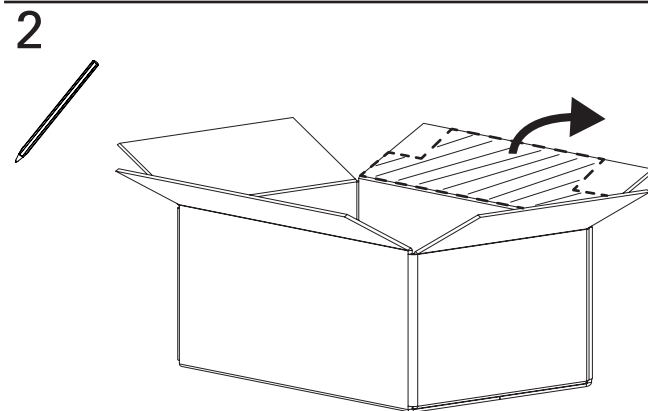
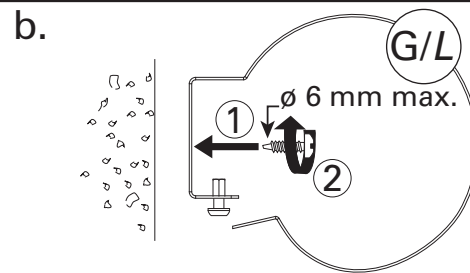
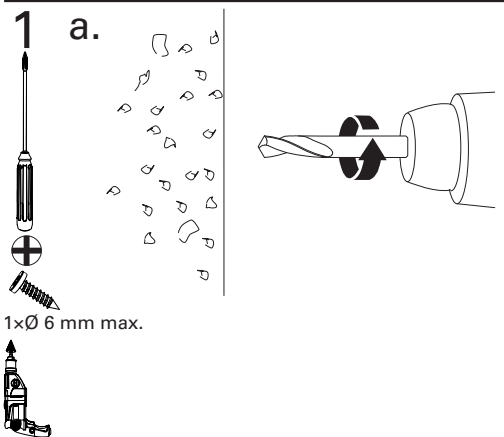
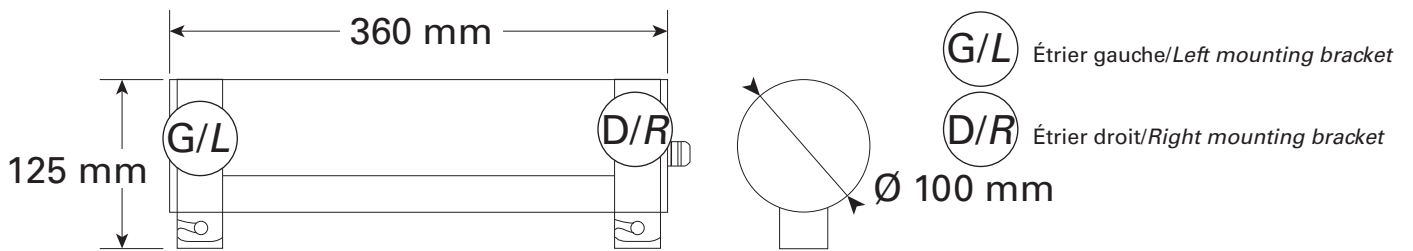
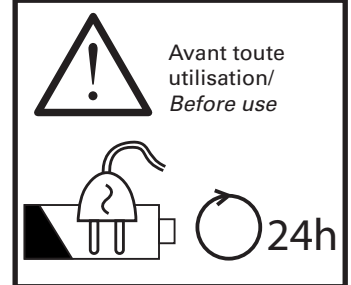
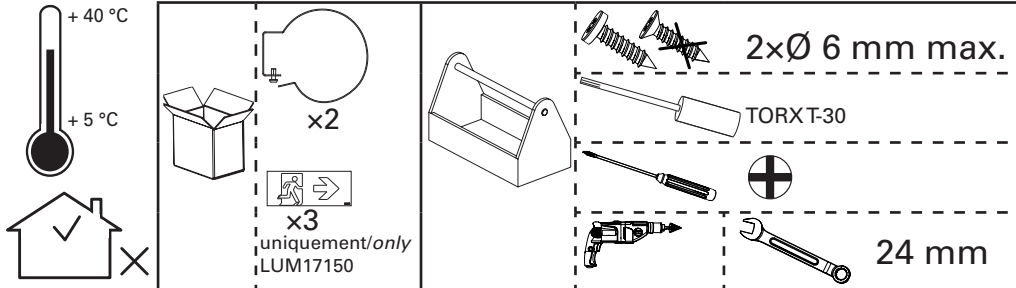
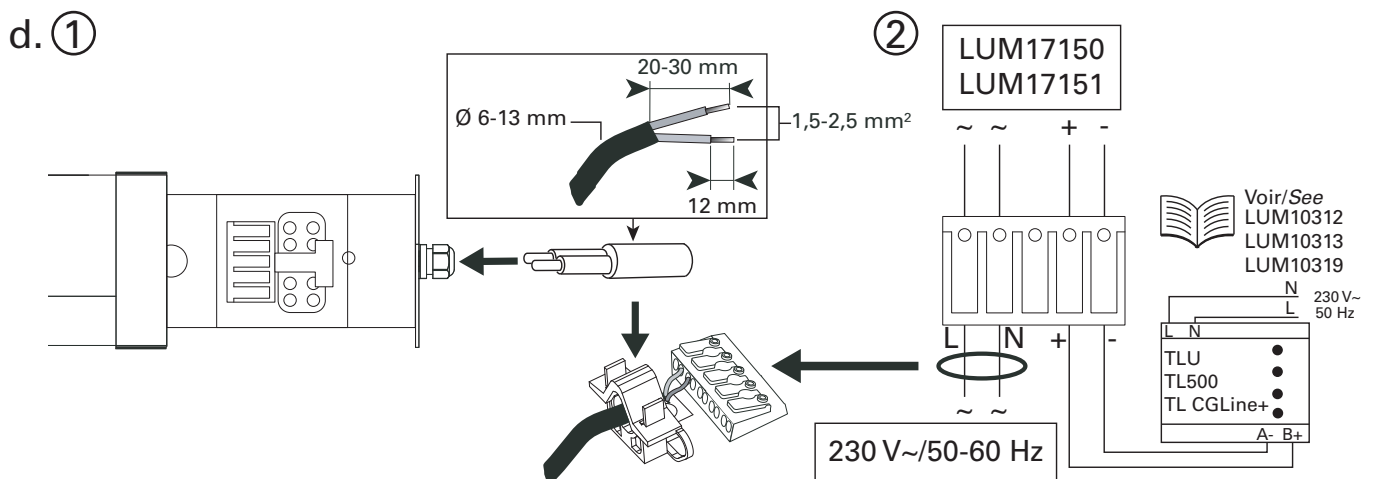
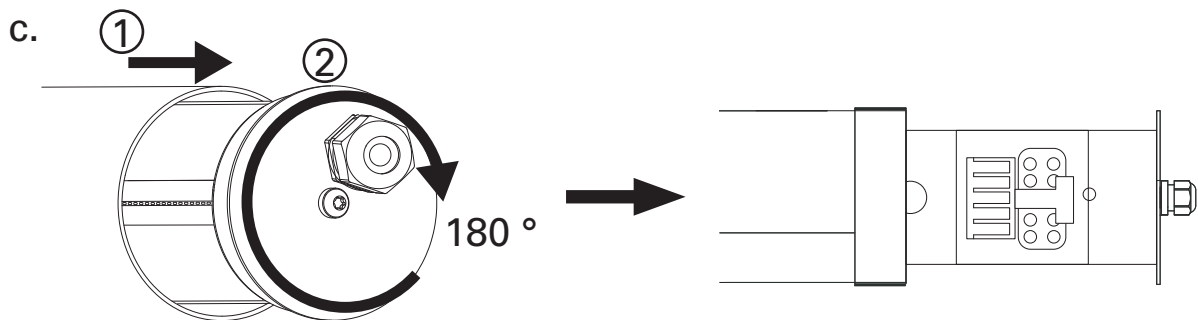
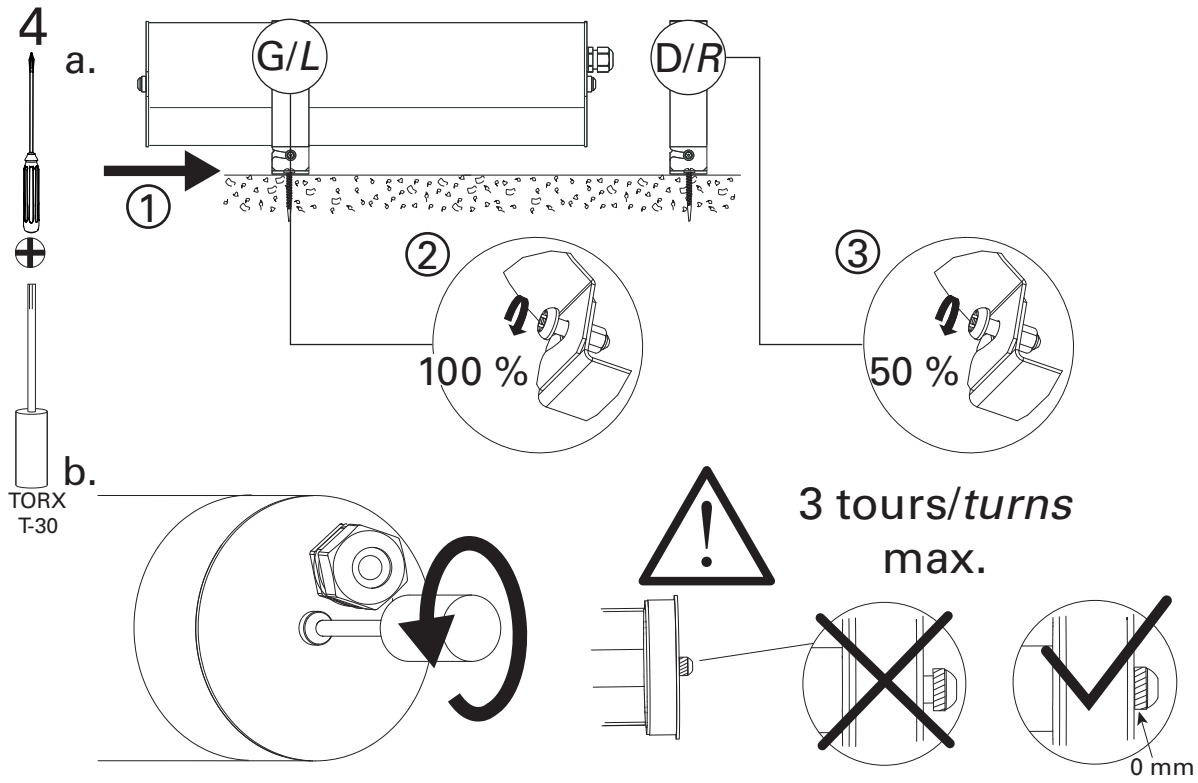
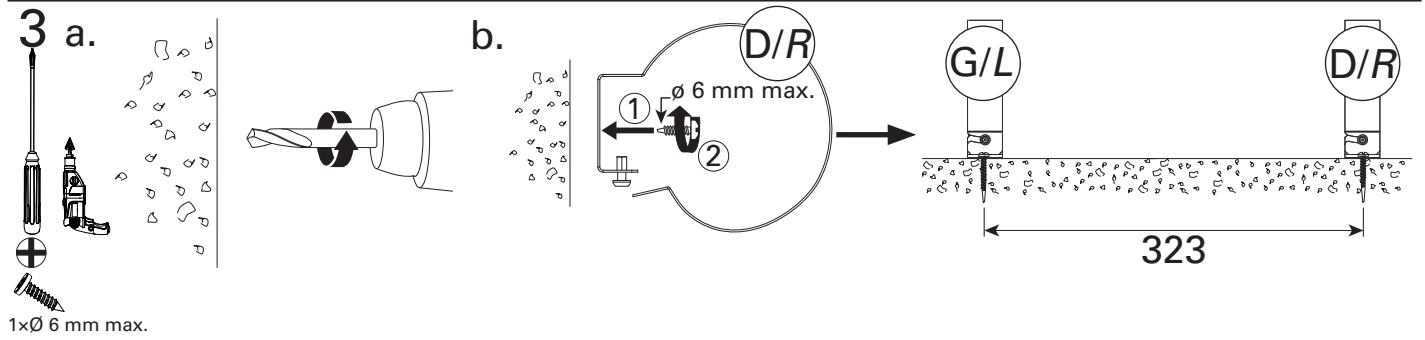


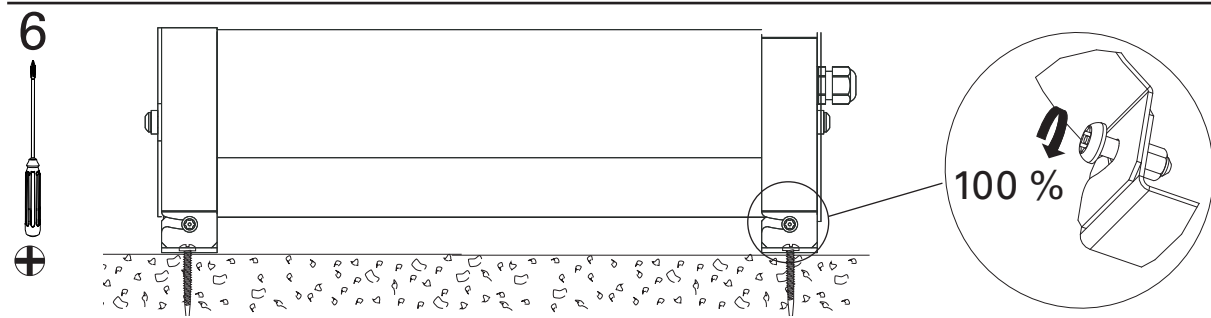
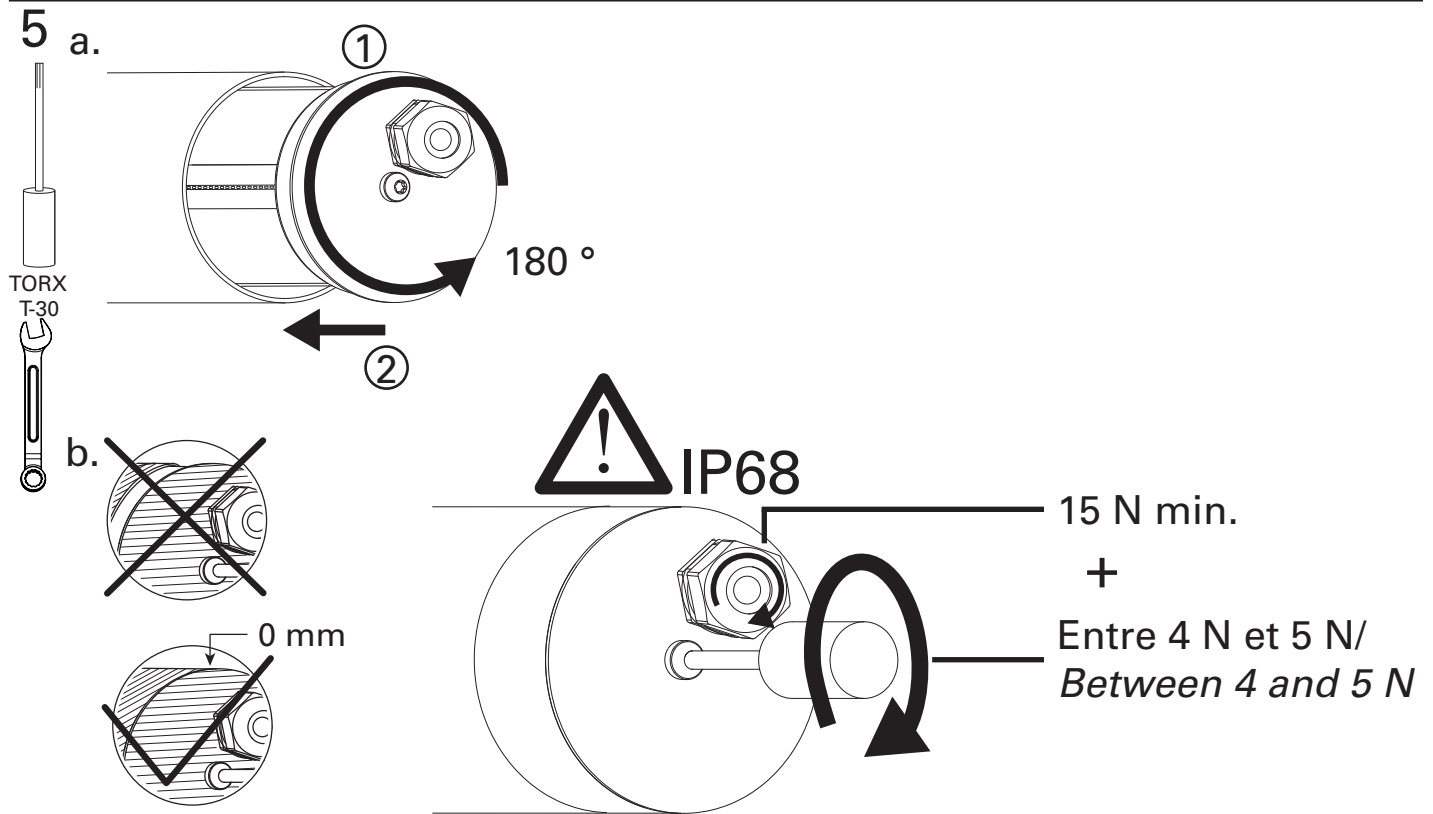
Blocs Autonomes Tubulaires/
Tubular Self-Contained Luminaires



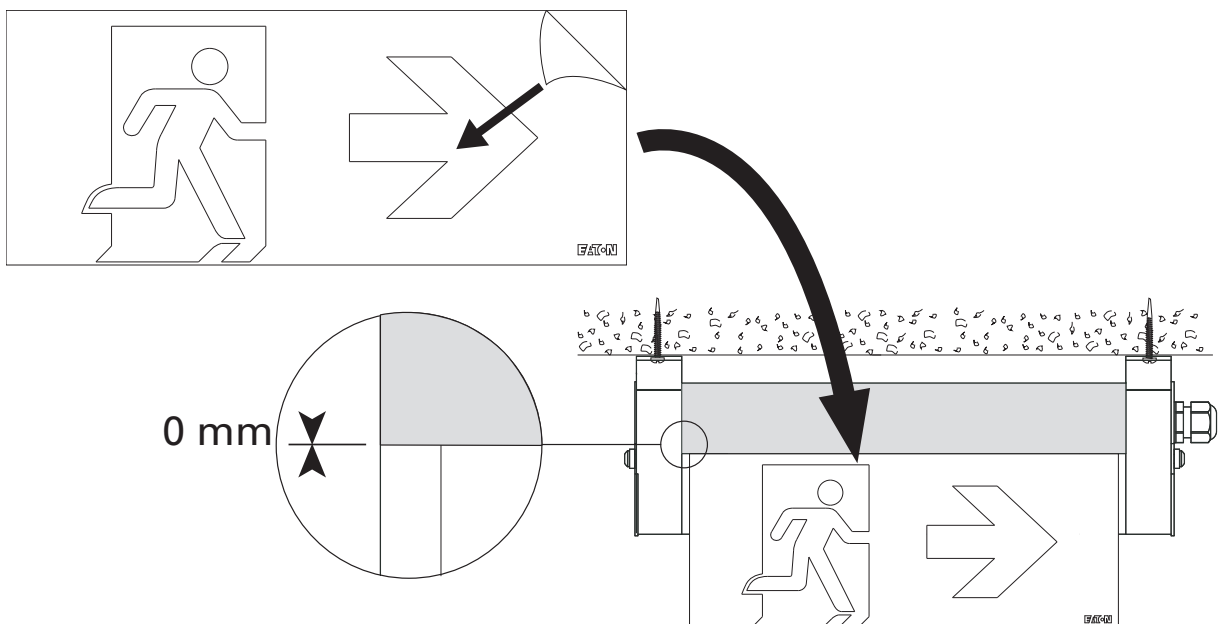
AEAS
www.marque-nf.com



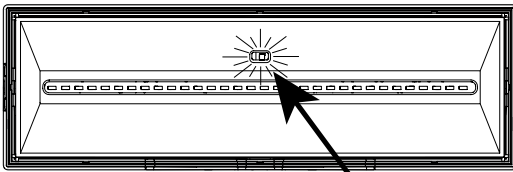




7 LUM17150

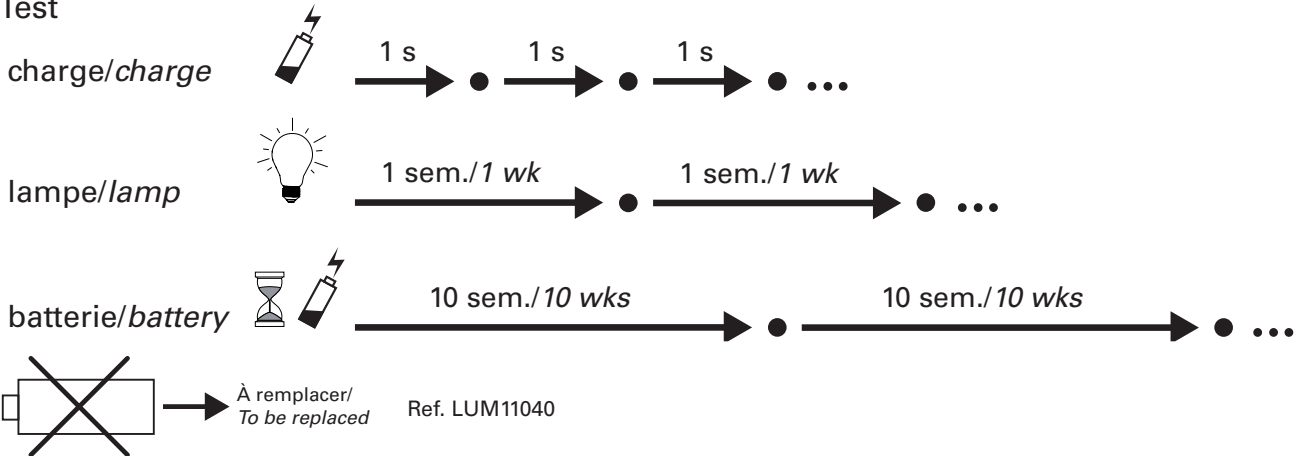


Autotest / SATI

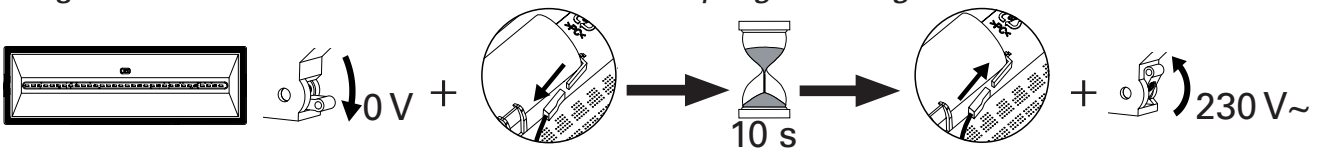


V/G		OK
V/G		Test
V/J / G/Y		•))))) com
J/Y		2 s
J/Y		0,5 s

Test



Programmation de l'heure des tests/Test hour programming



ou/or



	NF						EN	FR	
				h	Im	U	P		
PLANETE 45 TUBE ADR CGLine+	LUM17150	T15105	IP 66/68* / IK 10	1	70	230 V~/50-60 Hz	1,1 W	NFEN 60598.2.22	
PLANETE 400 TUBE ADR CGLine+	LUM17151	T15106	IP 66/68* / IK 10	1	350	32 x LED 3,25 V 60 mA	1,1 W	NFEN 62034 Ed2	
			Paqk 5 x 1,2 V/1,5 Ah Ni-Cd EATON EcoSafe by S AFT Ref. LUM11040					C 71802 NFC 71800 NFC 71801 NFC 71820	

* 2 m - 30 min

