





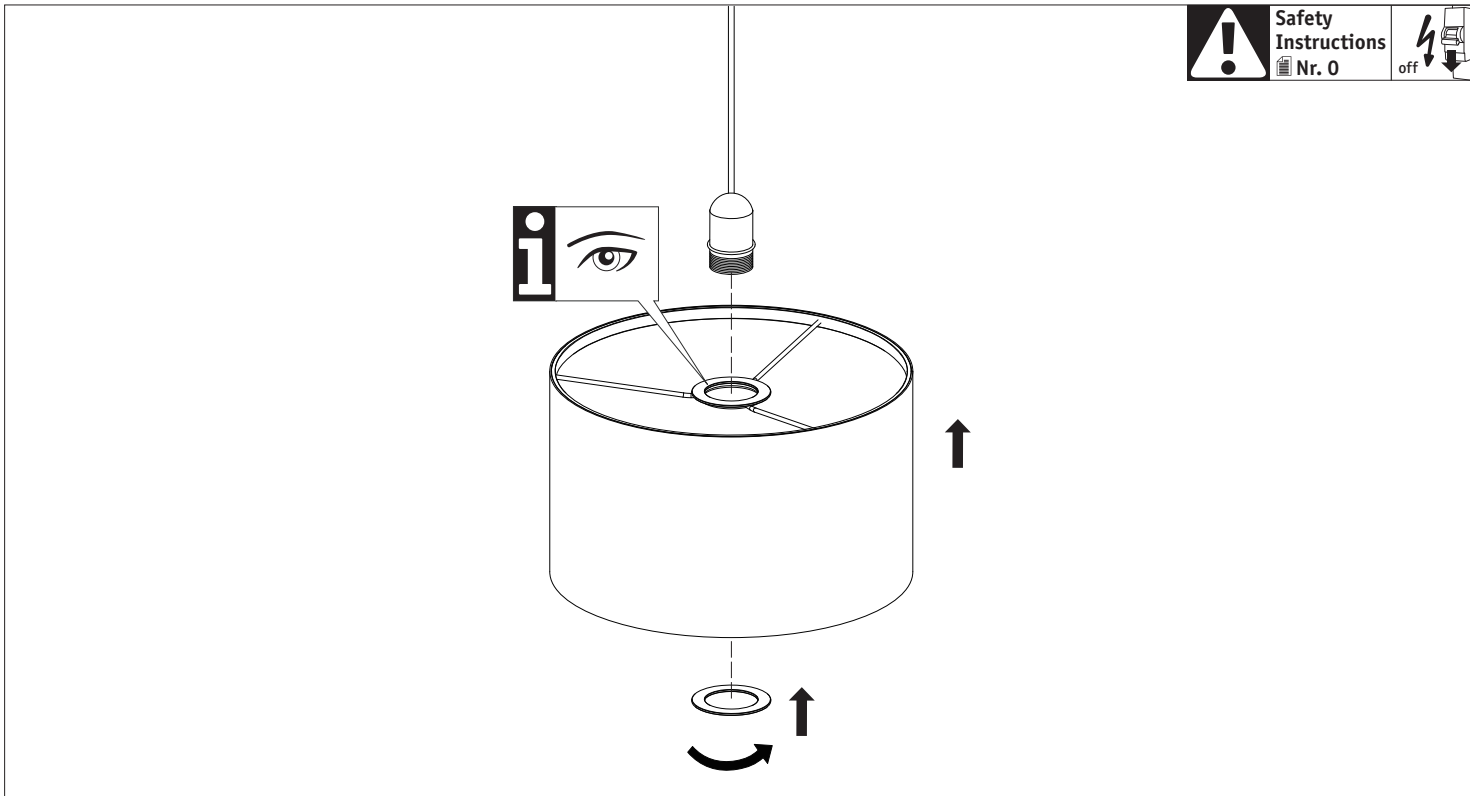
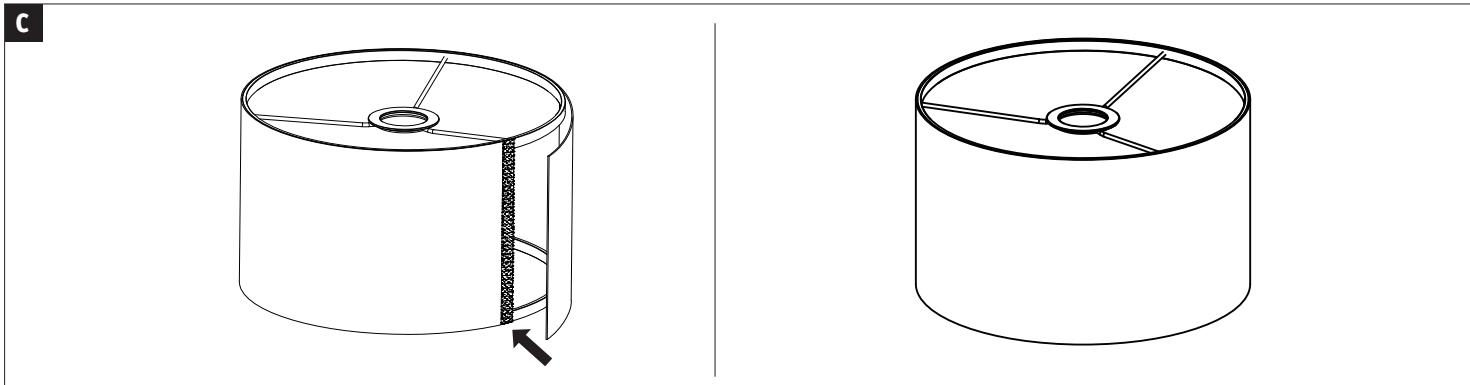
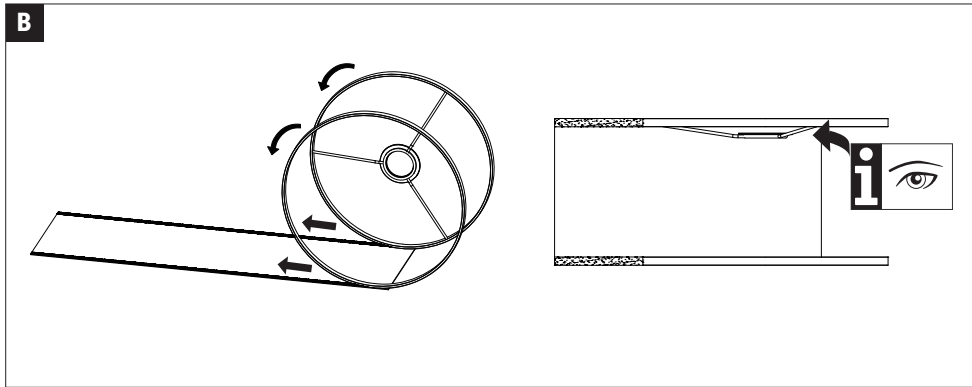
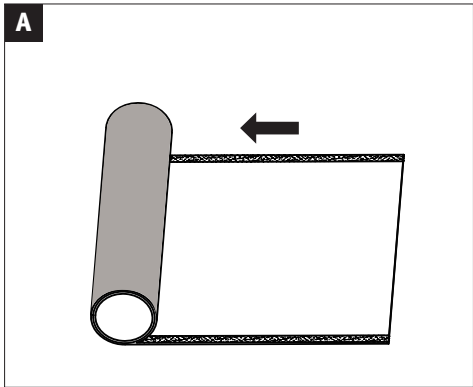
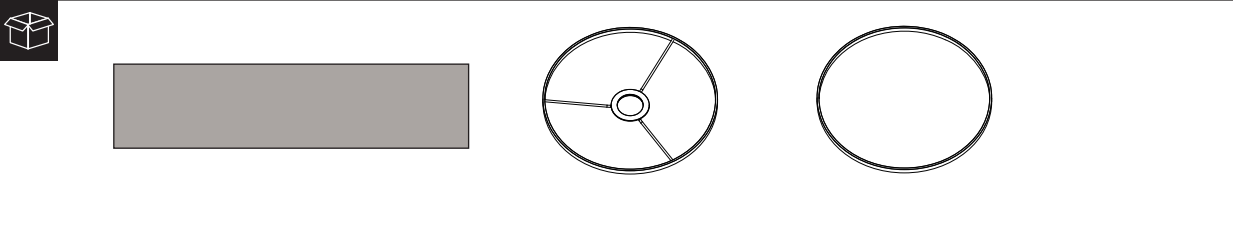
Safety Instructions
 0, 1, 4, 6, 7, 9, 11,
 15, 18, 22, 26, 27,



Info Hotline ☺
 **+49 (0) 5041 998 389**
 Mon. - Do. 7⁰⁰ - 20⁰⁰
 Fr. 7⁰⁰ - 17⁰⁰

Paulmann Licht GmbH
 Quezinger Feld 2
 31832 Springe
 Germany
www.paulmann.com

Art.-Nr.: **60324**
60325
60326
60327
 (+MA 173) PEV 03/16




 **Safety Instructions**
 Nr. 0  off