



### Safety Instructions

1, 2, 3, 4, 5, 7, 11, 13, 24,  
28, 33, 34



### Info Hotline



+49 (0) 5041 998 389

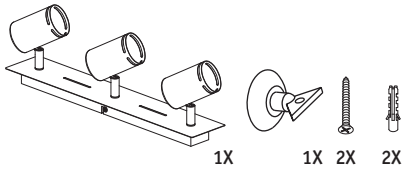
Mon. - Do. 7<sup>00</sup> - 20<sup>00</sup>

Fr. 7<sup>00</sup> - 17<sup>00</sup>

Paulmann Licht GmbH  
Quezinger Feld 2  
31832 Springe  
Germany

www.paulmann.com

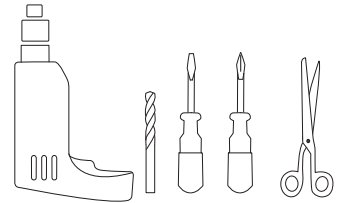
Art.-Nr. : 666.80  
(+MA 326) PEA 07/16



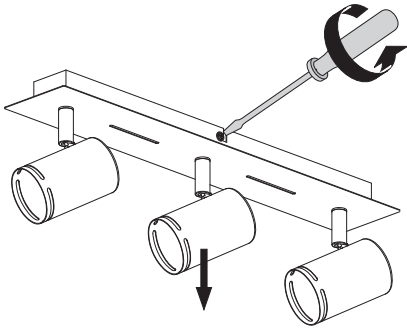
not incl.  
max. 10W  
GU10 LED



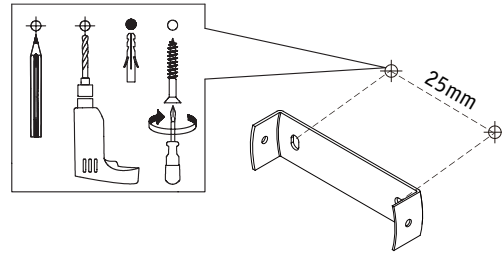
Paulmann  
Art.-Nr. 284.34  
www.paulmann.com



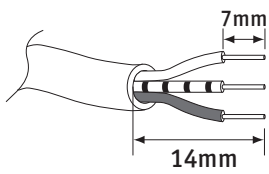
**A**



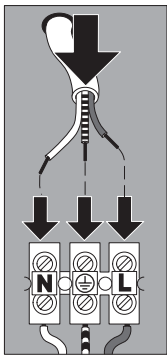
**B**



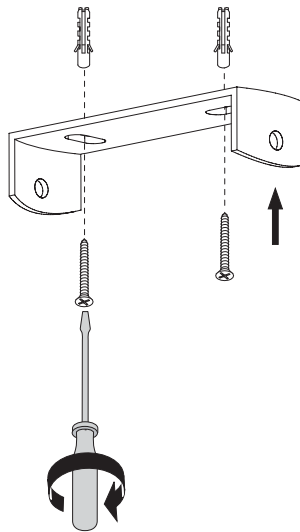
**C**



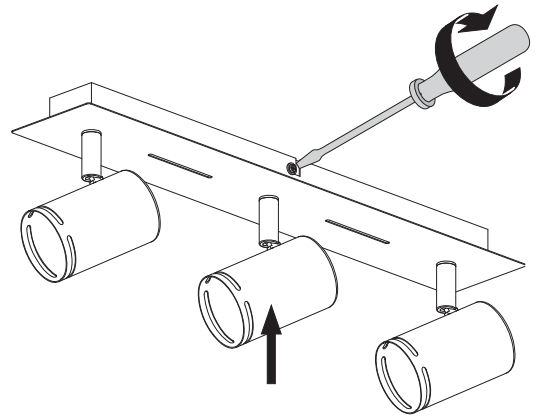
230V



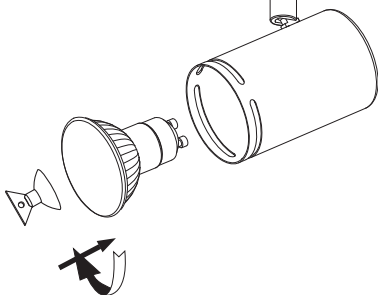
**D**



**E**



**F1 / F2**



**F1 / F2**

