



### Safety Instructions

1, 2, 3, 4, 5, 7, 11, 13, 24,  
28, 33, 34



### Info Hotline



+49 (0) 5041 998 389

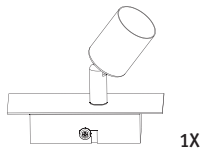
Mon. - Do. 7<sup>00</sup> - 20<sup>00</sup>

Fr. 7<sup>00</sup> - 17<sup>00</sup>

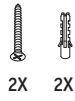
Paulmann Licht GmbH  
Quezinger Feld 2  
31832 Springe  
Germany

www.paulmann.com

Art.-Nr. : 667.06  
(+MA 326) PLD 05/16



1X



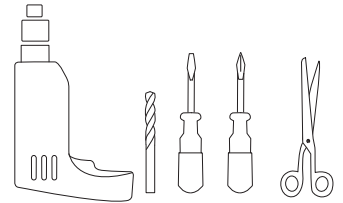
2X

2X

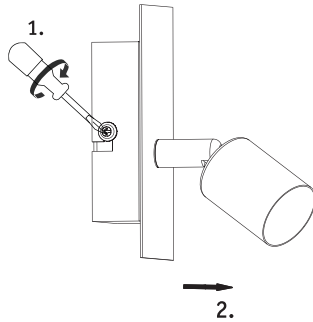
not incl.  
max. 10W  
GU10 LED



Paulmann  
Art.-Nr. 28434  
www.paulmann.com



**A**



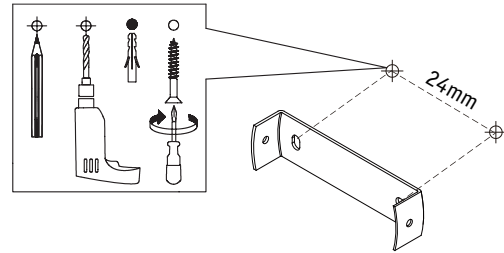
1.

2.

**B**



Safety  
Instructions  
Nr. 5, 7

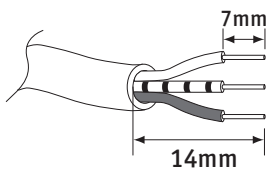


24mm

**C**



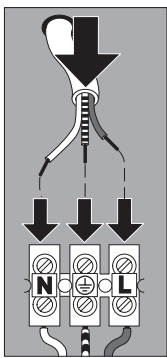
Safety  
Instructions  
Nr. 5, 28



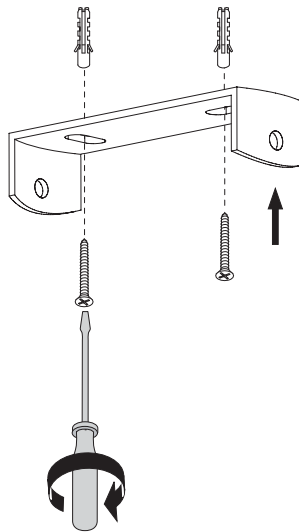
7mm

14mm

230V



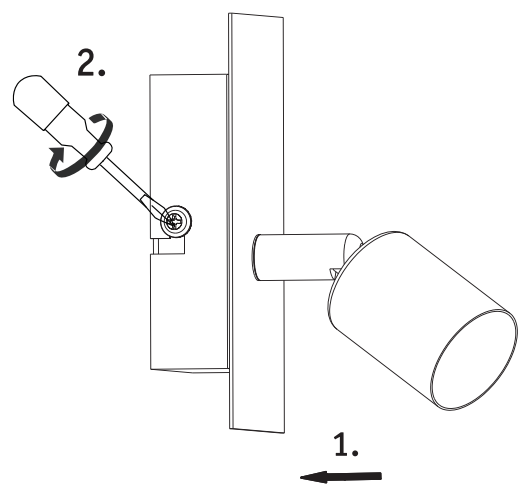
**D**



**E**



Safety  
Instructions  
Nr. 5



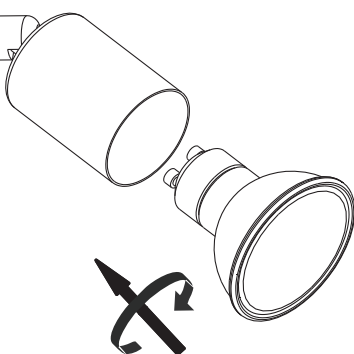
2.

1.

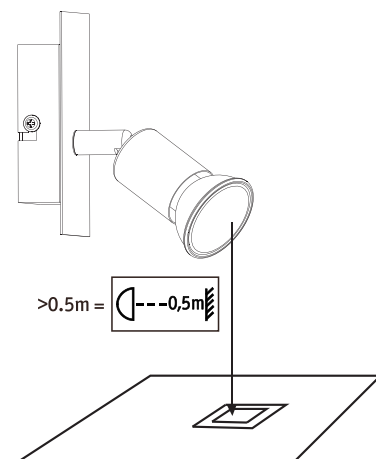
**F**



Safety  
Instructions  
Nr. 5



Nr. 9



>0.5m = -0.5m