

## Safety Instructions

0, 1, 2, 4, 6, 7, 8, 9, 10, 11, 15, 18, 20, 22, 25, 26, 27



## Info Hotline



+49 (0) 5041 998 389

Mon. - Do. 7<sup>00</sup> - 20<sup>00</sup>  
Fr. 7<sup>00</sup> - 17<sup>00</sup>

Paulmann Licht GmbH  
Quezinger Feld 2  
31832 Springe  
Germany

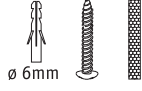
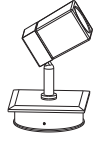
www.paulmann.com

Art.-Nr.: 708.40

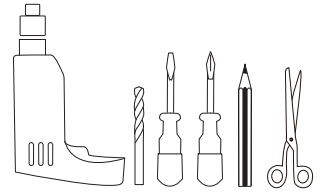
(+MA 173) POM 08/16



**i** IP44



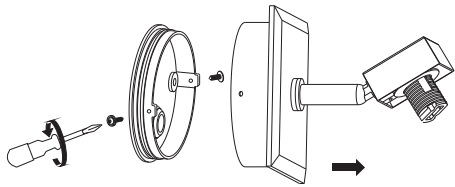
not incl.  
1x20W  
G9



**A**



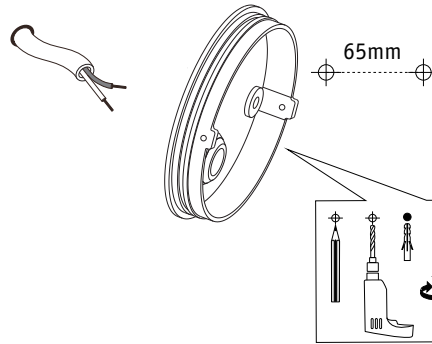
Safety Instructions  
Nr. 0



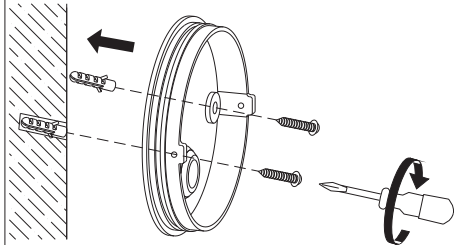
**B**



Safety Instructions  
Nr. 0, 1, 2



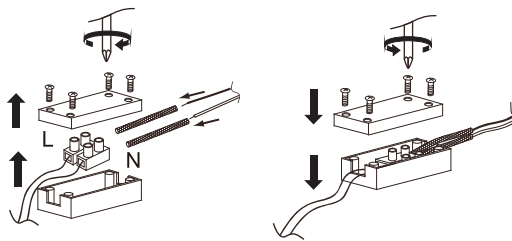
**C**



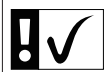
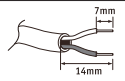
**D**



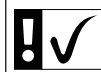
Safety Instructions  
Nr. 0, 1, 4



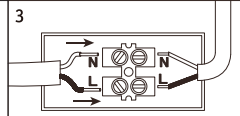
1



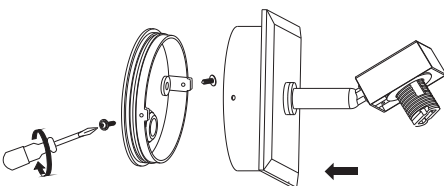
2



3



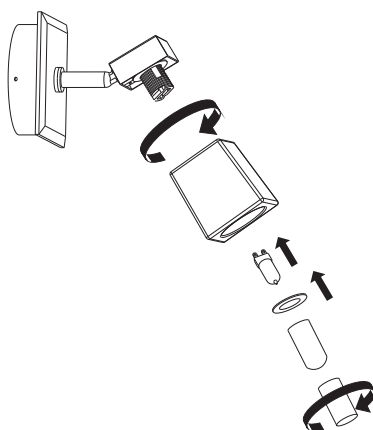
**E**



**F**



Safety Instructions  
Nr. 0, 1, 4



**G**



Safety Instructions  
Nr. 9

