




Safety Instructions

1,2,3,4,5,6,7,10,12,13,15,16,
24,29,31,32,33,34,




31.08.2021 | 01.09.2021

ENERGY LABEL 874/2012 | ENERGY LABEL 2019/2015

A++ - A | F

www.paulmann.com/symbols



Paulmann Licht GmbH
Quezinger Feld 2
31832 Springe
Germany

 www.paulmann.com

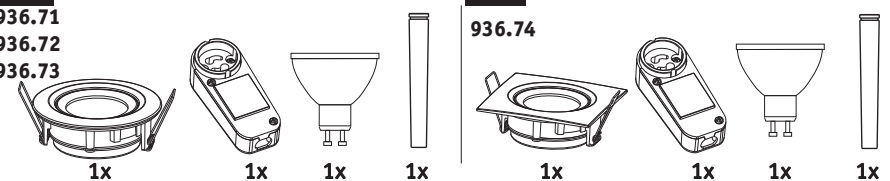
Art.-Nr.: 936.71/936.72
936.73/936.74

(+MA326)PBO 09/20

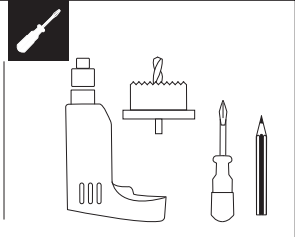
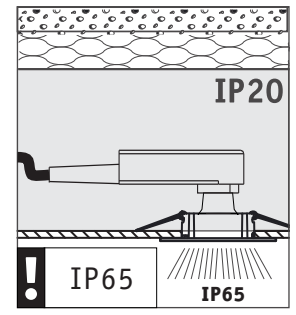
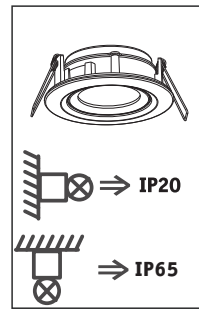
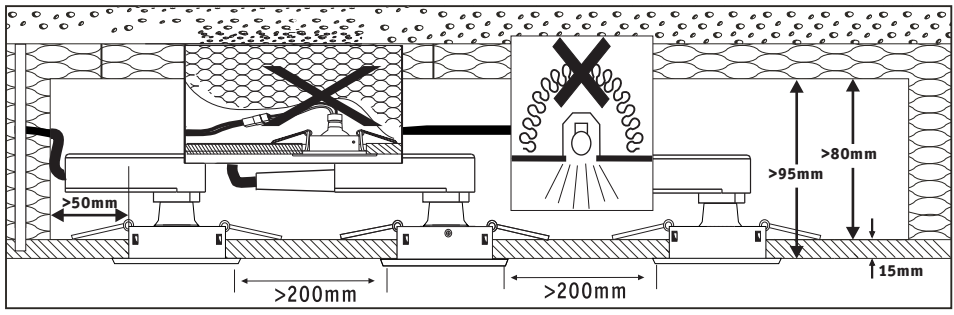
CE UK CA

936.71
936.72
936.73


936.74




1x 1x 1x 1x 1x 1x 1x 1x

A

 Safety Instructions Nr. 5

 off

(Ø83mm)

B

1

2

3

4

5

Nr. 4,5

7mm

230V

14mm

C

D

E

F

OK

G

Nr. 15,16

H

on

