



Safety Instructions



0,1,2,3,4,6,7,8,
9,11,15,20,22,26,27



Info Hotline

+49 (0) 5041 998 389

Mon. - Do. 7⁰⁰ - 20⁰⁰

Fr. 7⁰⁰ - 17⁰⁰



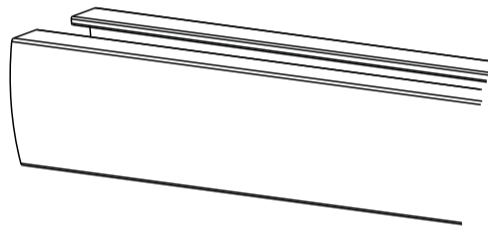
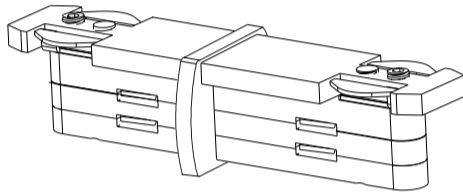
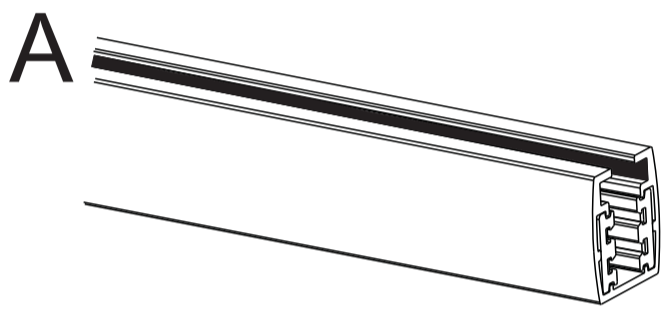
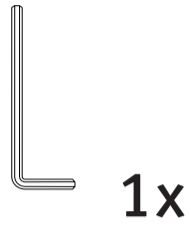
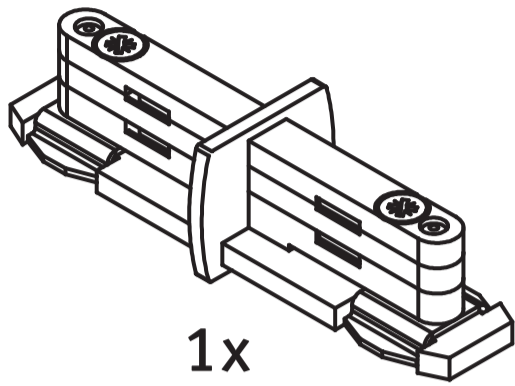
Paulmann Licht GmbH
Quezinger Feld 2
31832 Springe / Germany
www.paulmann.com

Art.-Nr.:

951.47

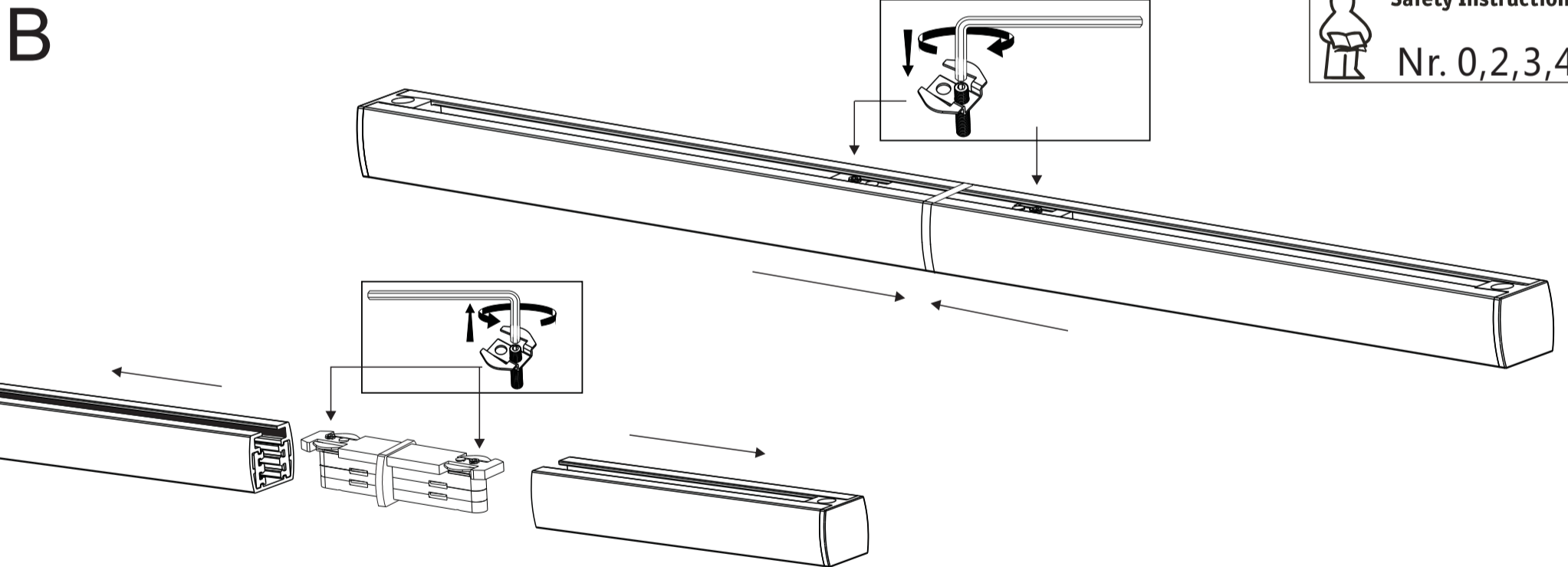
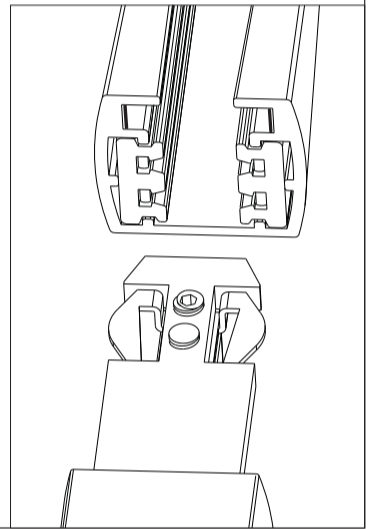
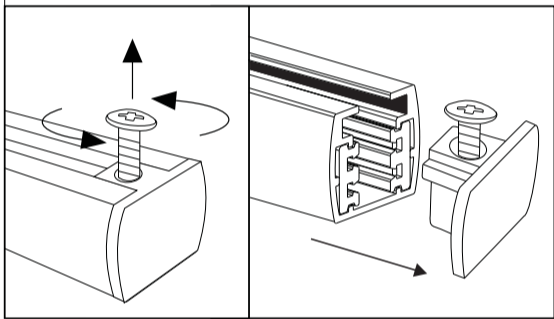
(+MA 173)

PH 04/13 



Safety Instructions

Nr. 0,2,3,4



Safety Instructions

Nr. 0,2,3,4

