



Paulmann

Safety Instructions

1,2,3,4,5,6,8,11,19,21,22,
24,32,33,34



Info

www.paulmann.com

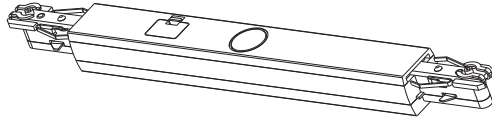
Paulmann Licht GmbH
Quezinger Feld 2
31832 Springe
Germany

www.paulmann.com

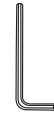
Art.-Nr.: 976.53
976.54



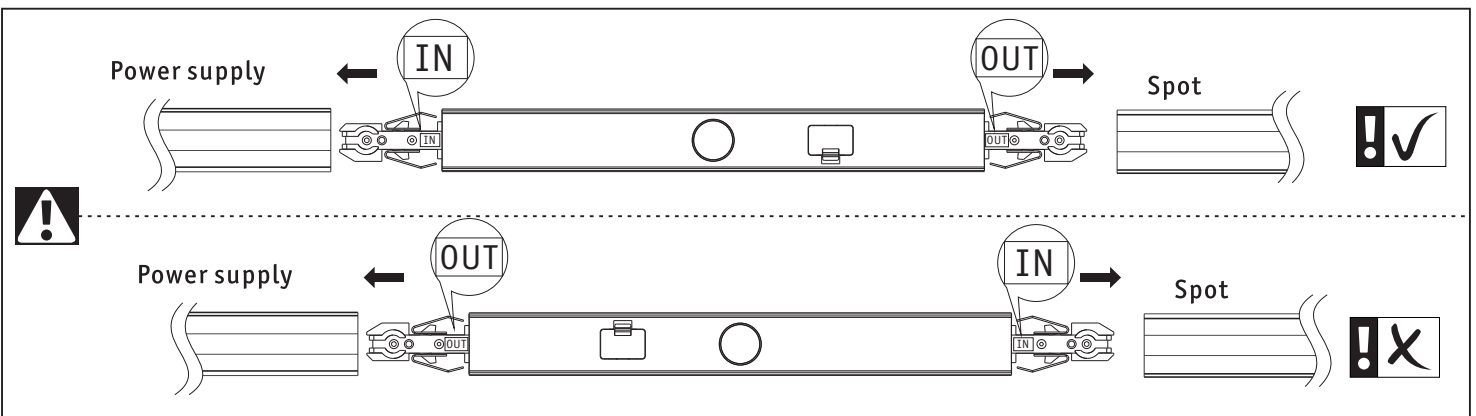
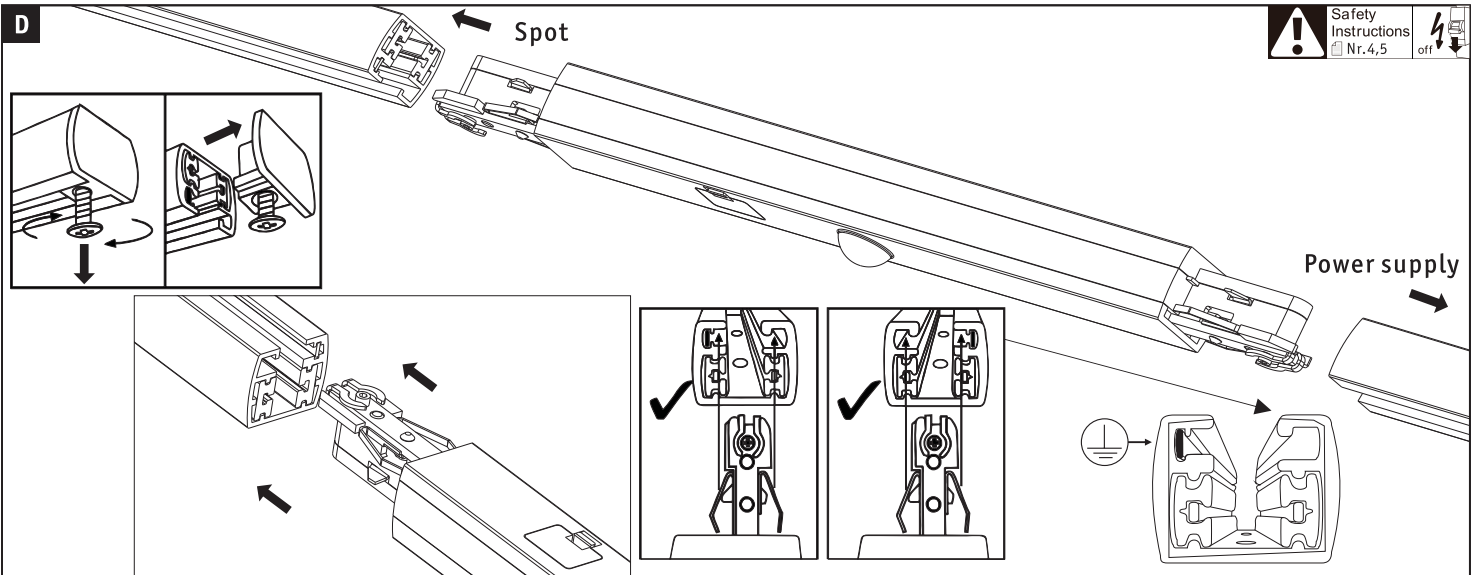
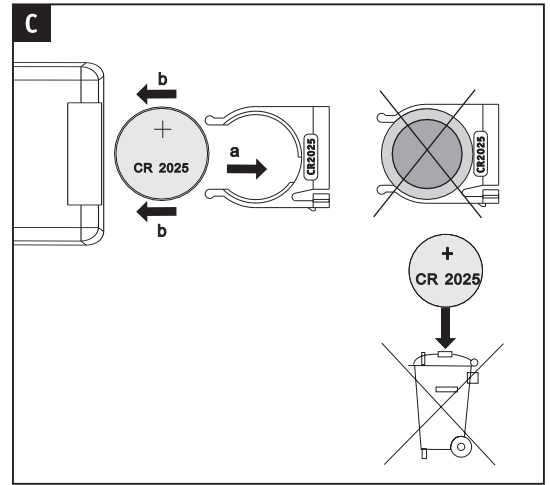
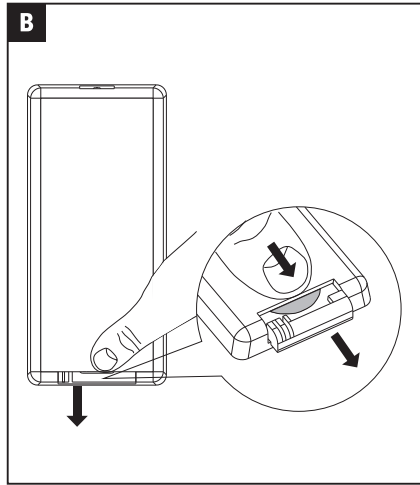
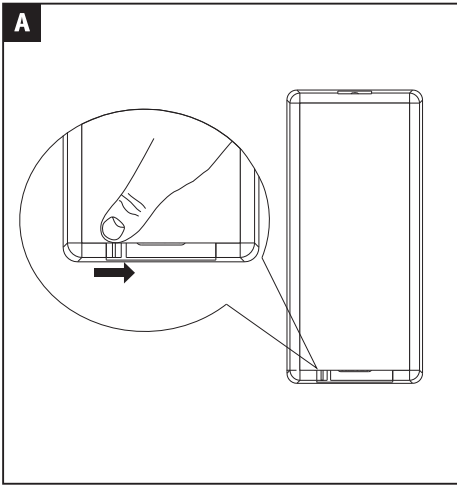
(+MA326)PBO 10/20

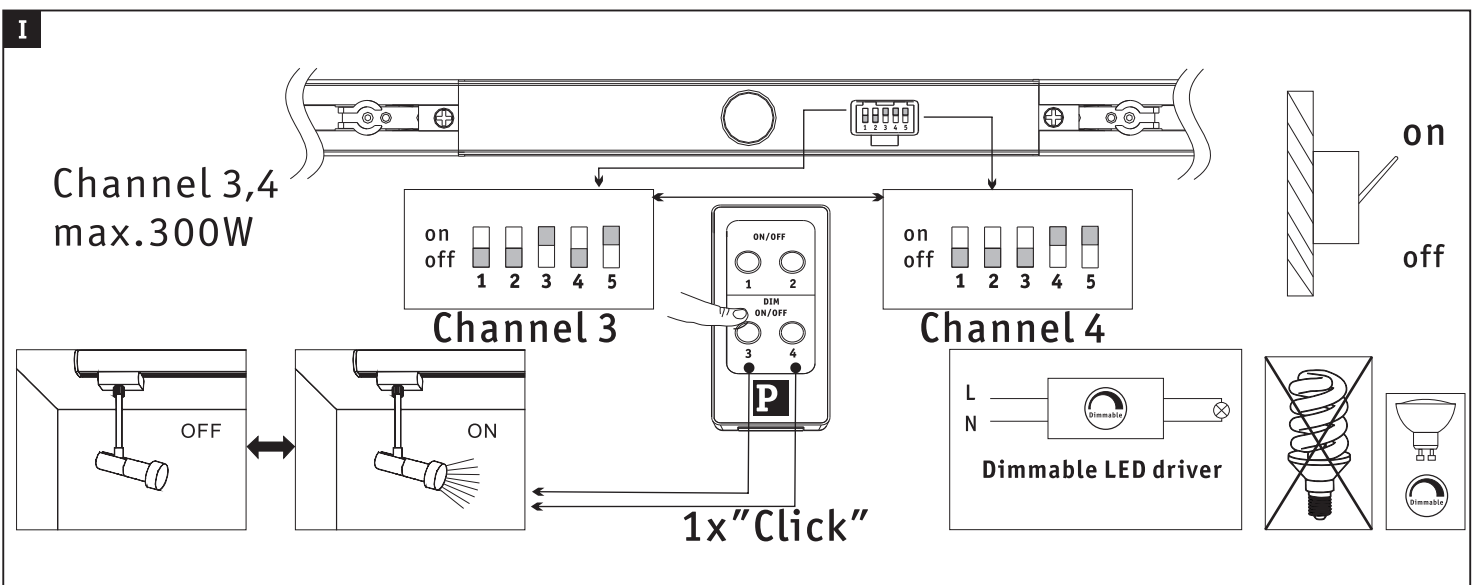
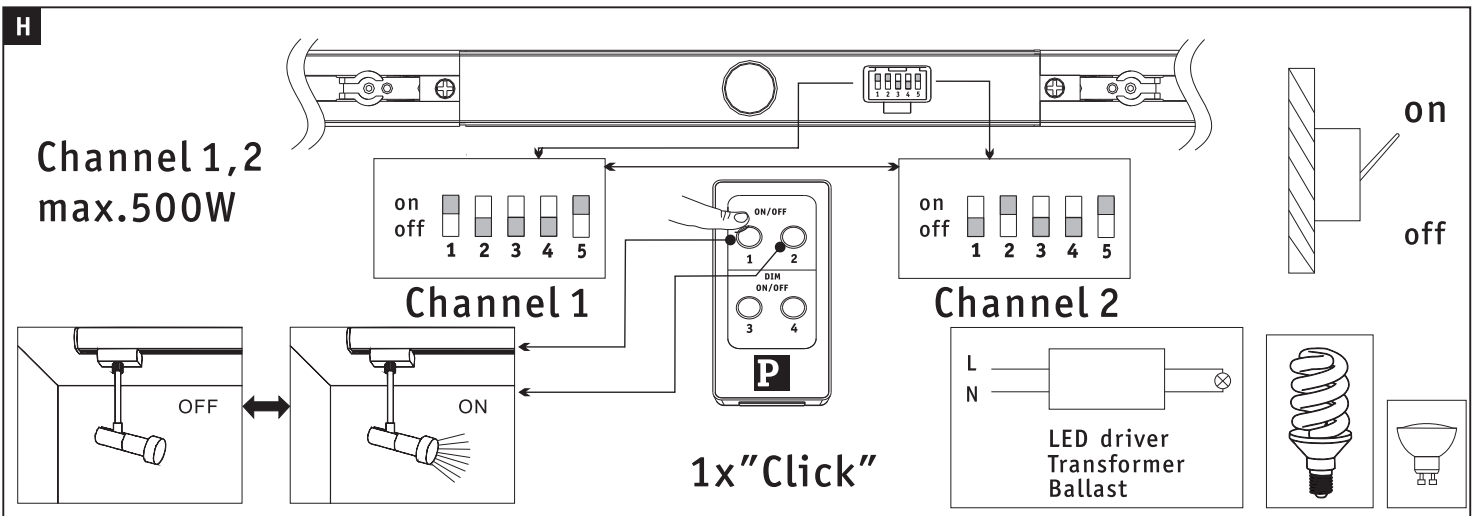
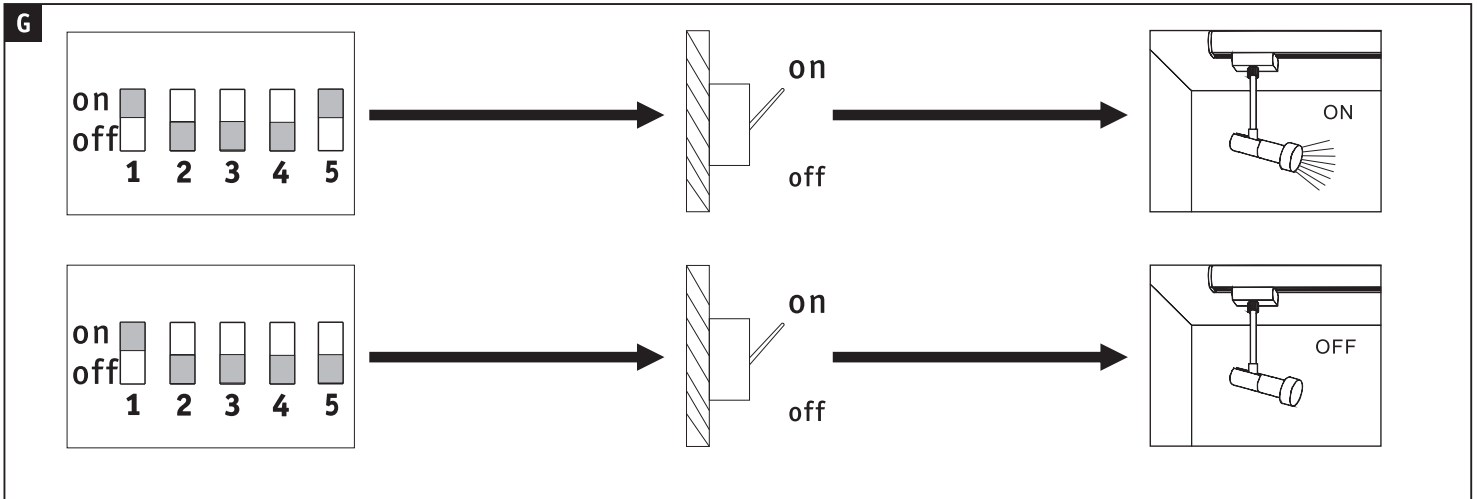
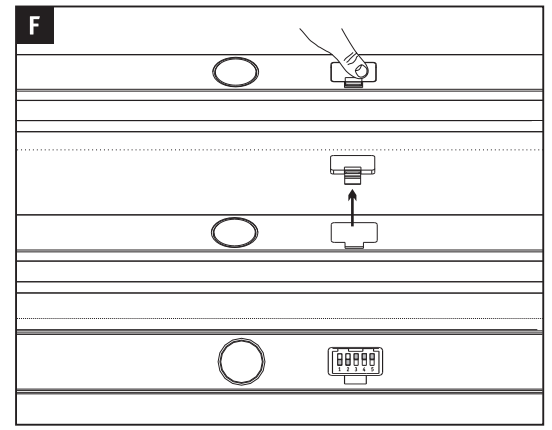
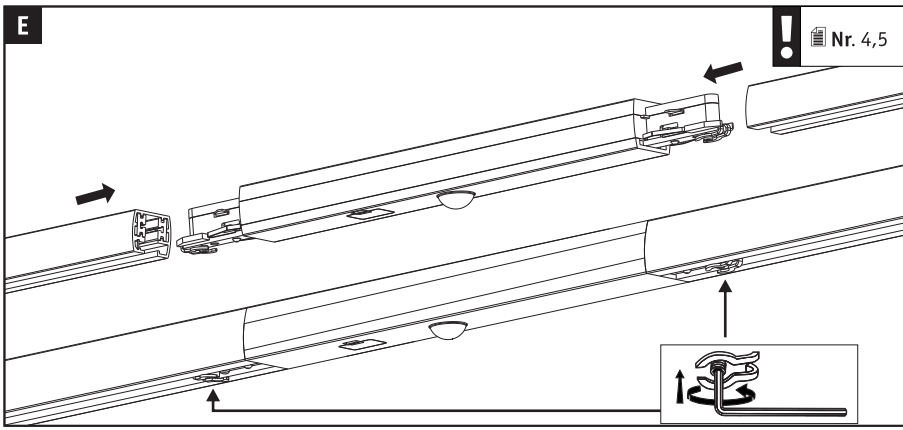


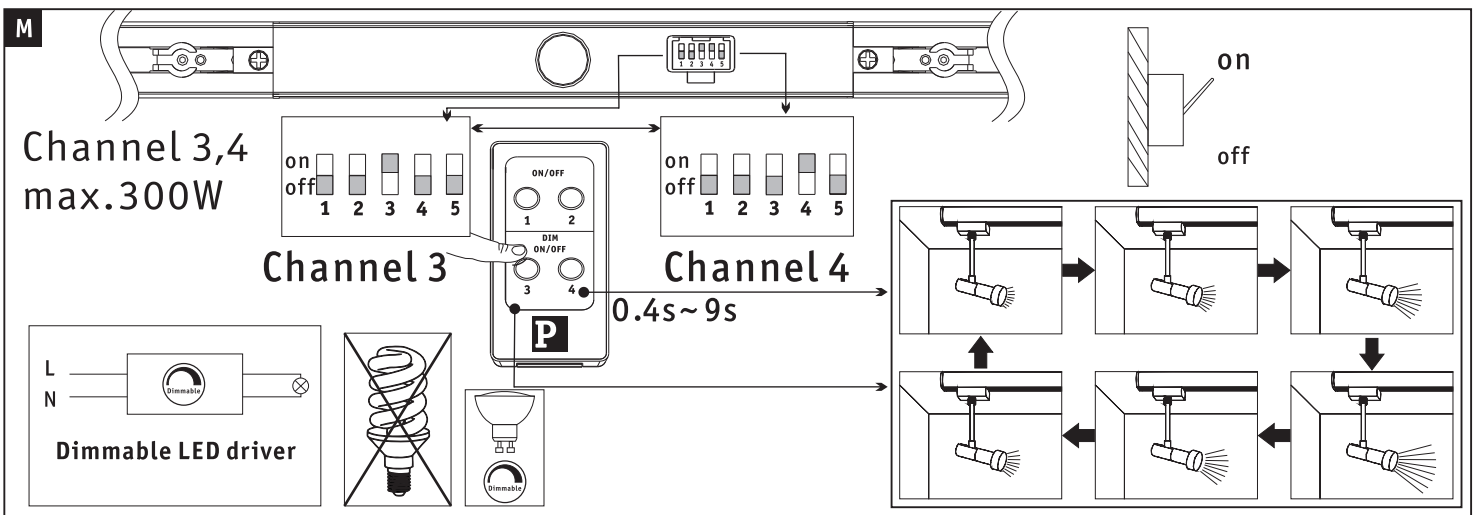
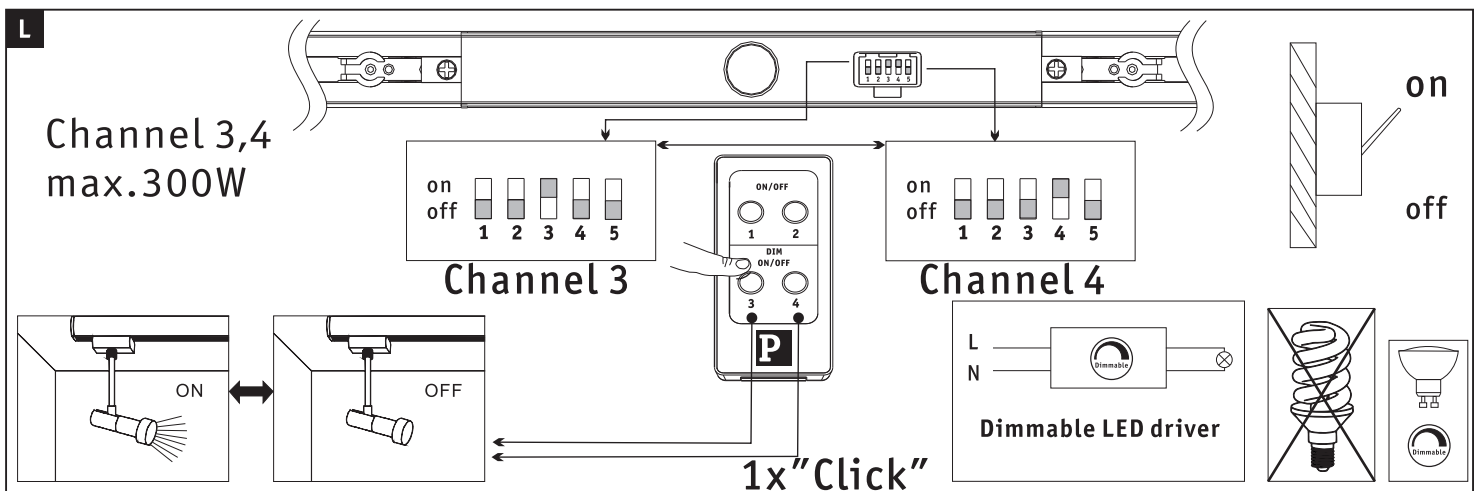
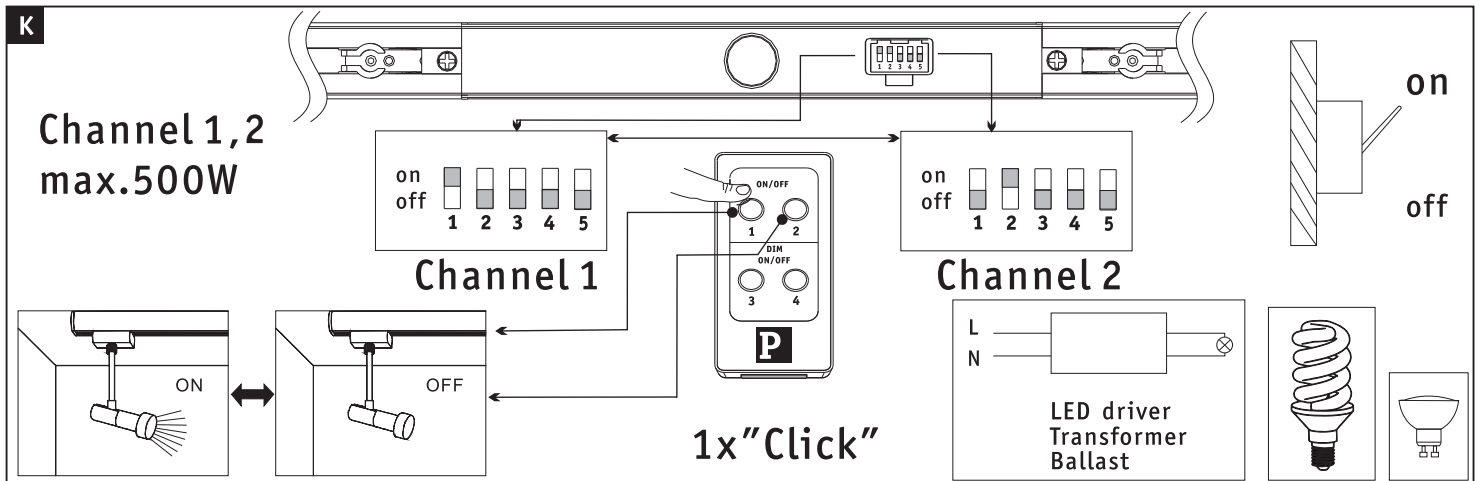
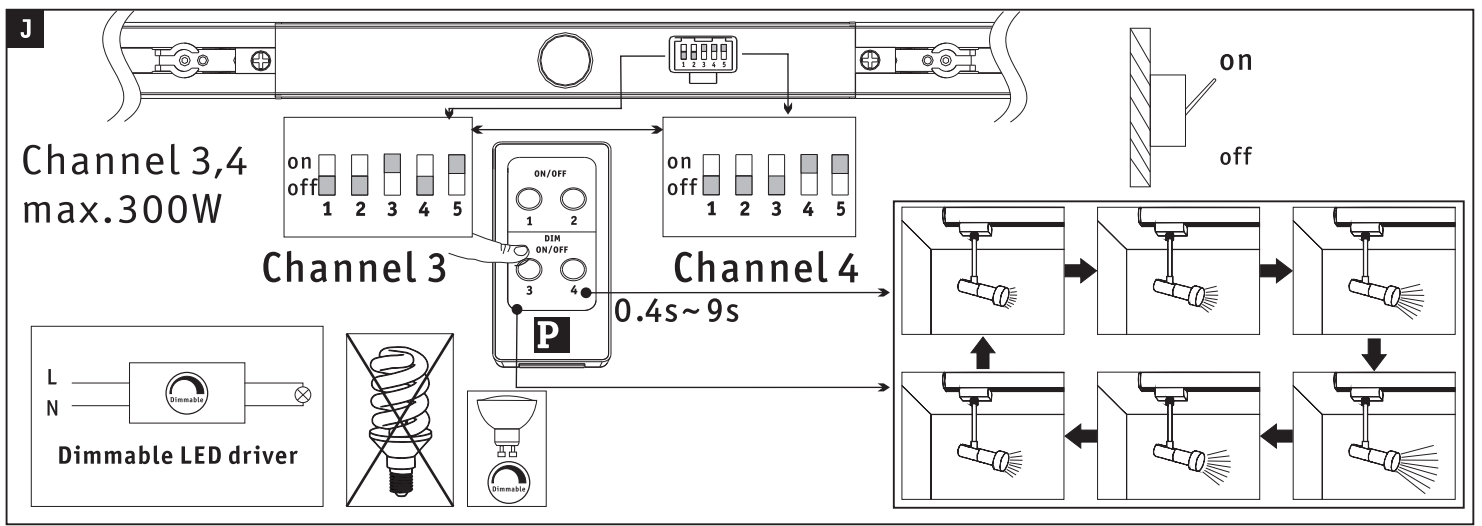
1x

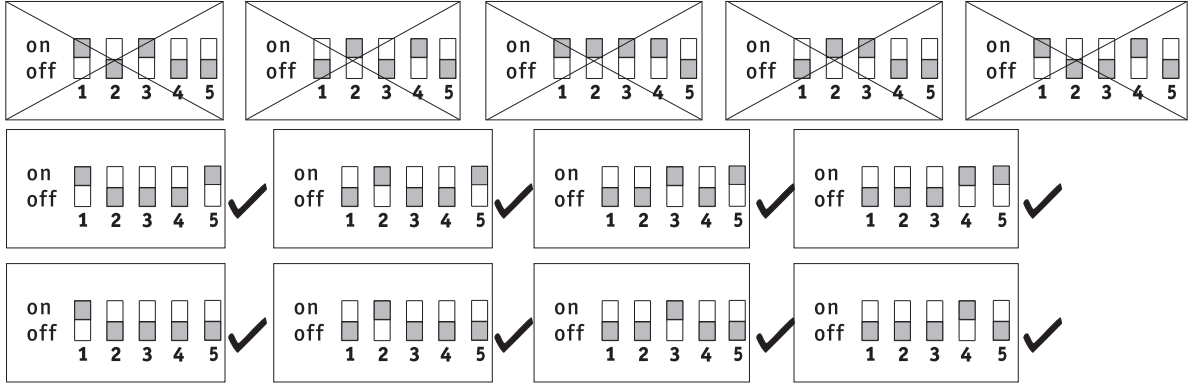
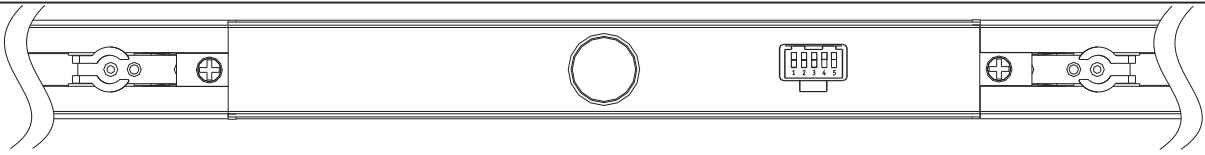


incl







N**0**