

The Philips logo is displayed in a white rounded rectangle on a dark blue background.

SmartBalance
Wall-mounted

WL484W

Installation instructions

Instructions de montage
Montageanleitung
Montage instruktie
Istruzioni di montaggio
Instrucciones de montaje
Instruções de montagem
Monteringsinstruktioner
Monteringsvejledning

Kokoonpano- ja kiinnitysohjeet
Montaj yönergəsi
Οδηγί ες συναρμολό γησης
Instrukcja montazu
Szerelési utasítások
Návod k montáži
ΙΝΣΤΡΥΚΤΙΥΑ ΠΟ ΜΟΝΤΑΖΥ
Návod k montáži

Contents

1.	General information	3
1.1.	Designated use.....	3
1.1.1.	Intended purpose	3
1.1.2.	Location.....	3
1.2.	Disclaimer.....	3
1.3.	Product family code configuration	3
2.	Safety instructions.....	4
3.	Abbreviation and symbols.....	4
4.	Installing wall bracket.....	5
5.	Electrical connections	6
6.	Installing light unit.....	8
7.	Settings	10
8.	Cleaning	10
9.	Technical data.....	10
10.	Approbation	11

1. General information

1.1. Designated use



1.1.1. Intended purpose

The intended purpose of this luminaire is for use in general lighting areas, offices, corridors and health care applications. The luminaire may be used in medical areas (in accordance with EN 60598-2-25). It is not intended for use in operating rooms.



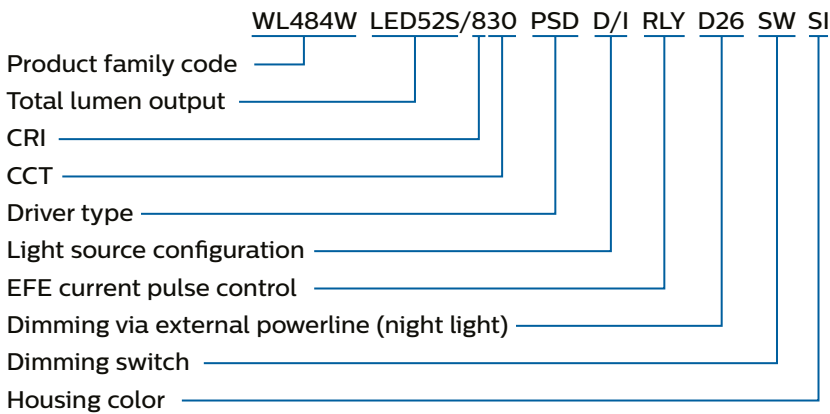
1.1.2. Location

For indoor use only.

1.2. Disclaimer

The manufacturer cannot be held liable for damage caused if the luminaire is used for purposes other than the intended purpose or if safety instructions and warnings are ignored.

1.3. Product family code configuration



Product family code	WL484W	
Total lumen output	52S	(5200 lumen total output)
CRI	8	(CRI80)
CCT	30	(3000K)
	40	(4000K)
Driver type	PSD	(DALI dimming ballast)
Light source configuration	D/I	(Direct & indirect light)
	IND	(Only indirect light)
EFE current pulse control	RLY	(EFE pulse control single Luminaire)
	—	(No EFE pulse control)
Dimming via external powerline (night light)	D26	(Night light function via separate relay)
	—	(Night light via DALI)
Separate switchable	SW	(Direct and indirect are separately switchable)
	—	(No separately switchable light source)
Housing color	WH	(White)
	SI	(Silver)

2. Safety instructions



When using luminaires of protection class I make sure that the grounding conductor is connected to the luminaire wall bracket.

Apart from the relays in the wall bracket (not all versions), no other part in the luminaire is serviceable by the user.

Please contact your Philips representative for service of defective parts.

Maintenance instructions

To assure the lighting quality of this unique LED lighting concept there are only a few instructions regarding the maintenance of this luminaire:

- Do not touch electronic components!
Electronic components are under high voltage.
Electronic components are ESD sensitive.
- During installation or when maintaining the luminaire, always use static-free gloves to avoid marks on the luminaire.
- To remove dirt and spots use the following:
 - Dust: only use microfiber cloths.
 - Fingerprints, etc.: use a cleaner for synthetic materials with antistatic properties.
- Do not stare into the LED light beam.
- A SmartBalance luminaire with DALI driver also supports Touch and Dim functionality.
- This luminaire should not be used for illumination during building activities due to dirt and dust contamination.



3. Abbreviation and symbols



IEC lighting protection class I (protective ground)



Dispose of separately in accordance with 2002/96/EC (WEEE - Waste Electrical and Electronic Equipment)



CE conformity marking



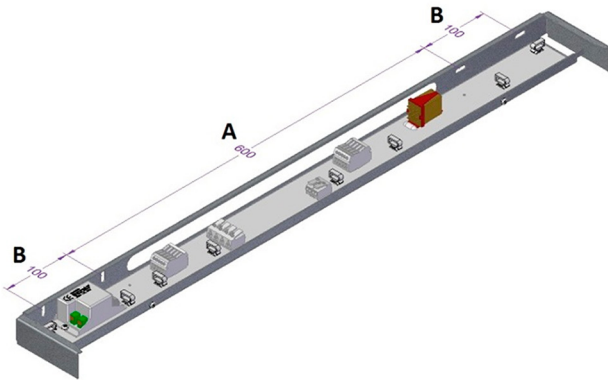
Designed for indoor use only

4. Installing wall bracket

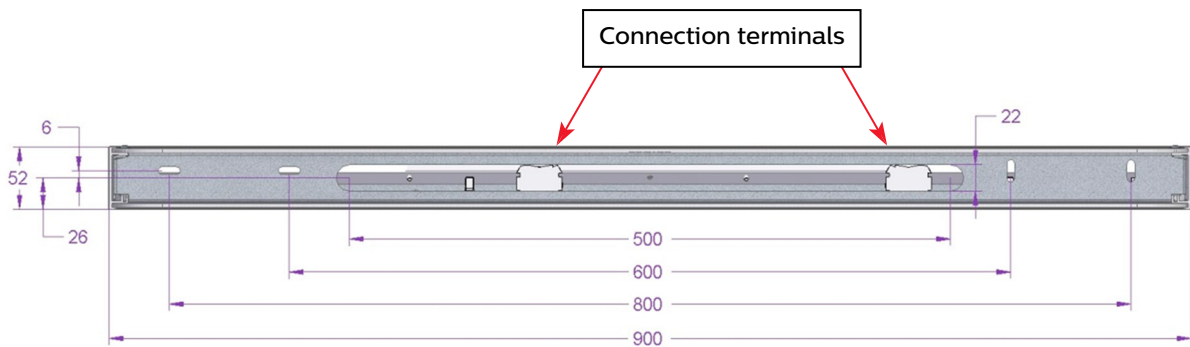
Note: Only certified installers should carry out mounting and installation.

The WL484W can be mounted by one person. The supply voltage must correspond to the voltage shown on the product label. The wall bracket is only suitable for use on walls that are either solid or supplied with a suitable high-strength wall-mounting solution.

Attach the wall bracket with the correct screw or bolt for the type of wall. Preferably use the holes that are farthest apart. Use washers to ensure that the screws/bolts hold well.

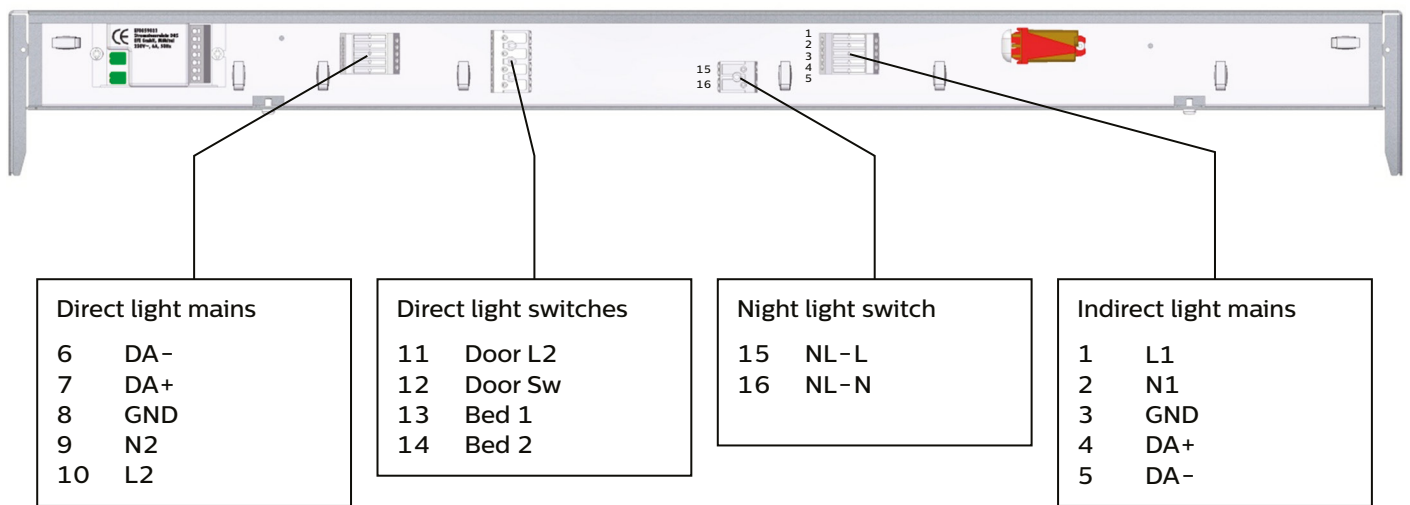


- Distance 'A': 600 mm
- Distance 'B': 100 mm
- Dimensions of rear cable entry: 500 x 22 mm. Please note: the space directly behind the connection terminal is limited. The best place for cables to enter is between the two connection terminals.



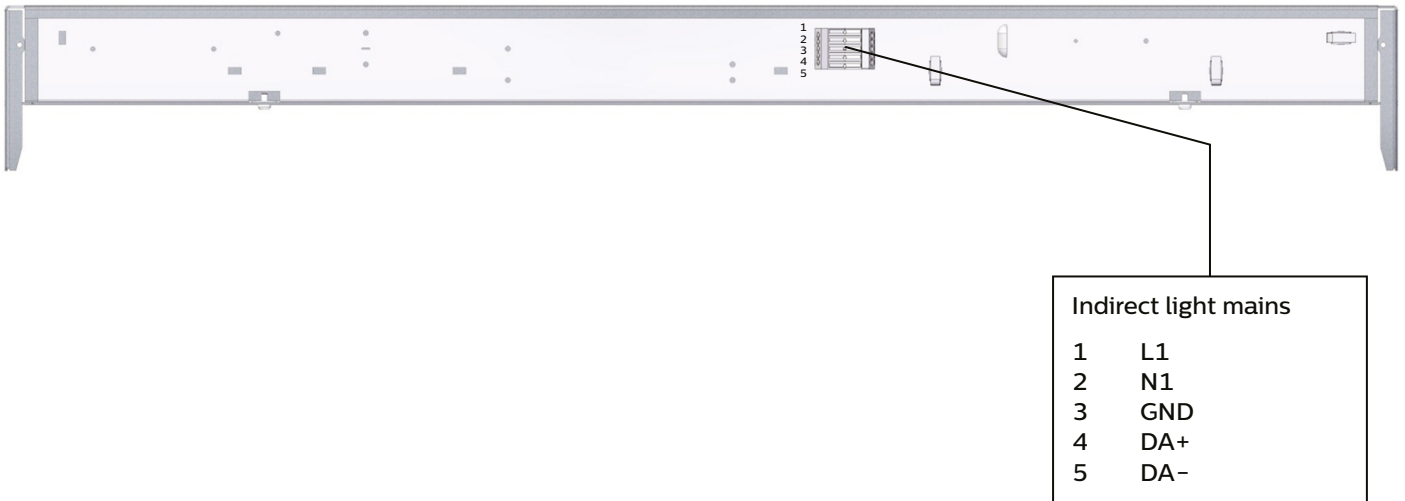
5. Electrical connections

WL484W LEDXXS/8X0 PSD **D/I RLY D26** SW XX

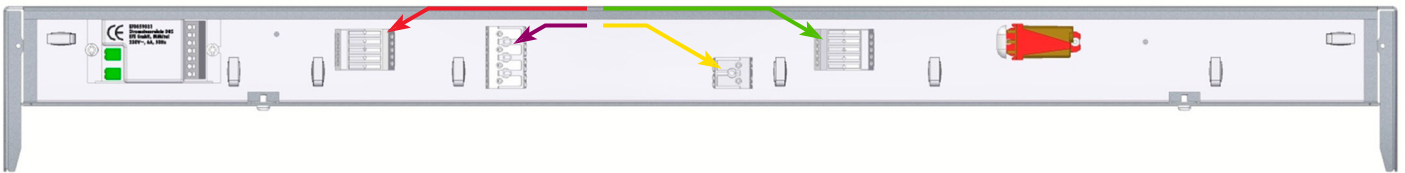


WL484W LEDXXS/8X0 PSD **D/I** SW XX

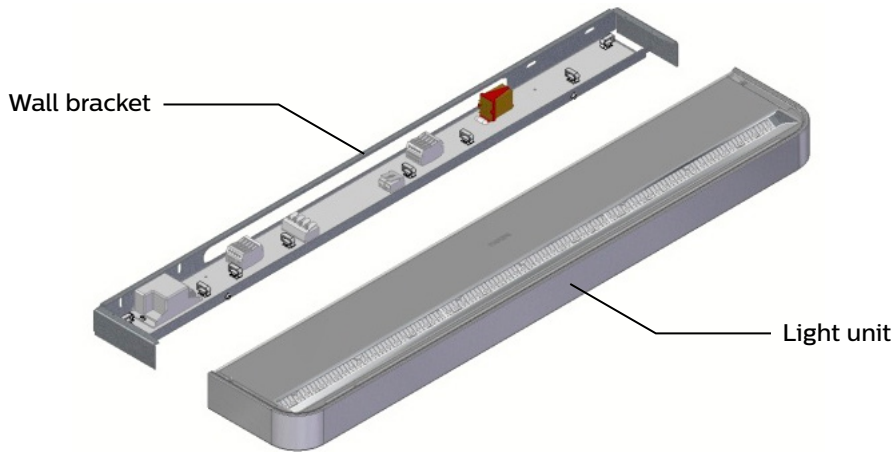




Make sure the cables are stripped to the correct length and run along the back of the wall bracket as far as possible (see below). The luminaire has limited room for excess wire length or multicore cables with thick insulation. Excess cable length may prevent the light unit from sliding completely over the wall bracket.



6. Installing light unit



- With the Philips logo face up, slide the light unit over the wall bracket until the internal hooks on either side snap onto the wall bracket.
- Now connect both 6-pole connectors, located on the far-left and far-right sides of the luminaire (only on the far-right side of the direct light version).

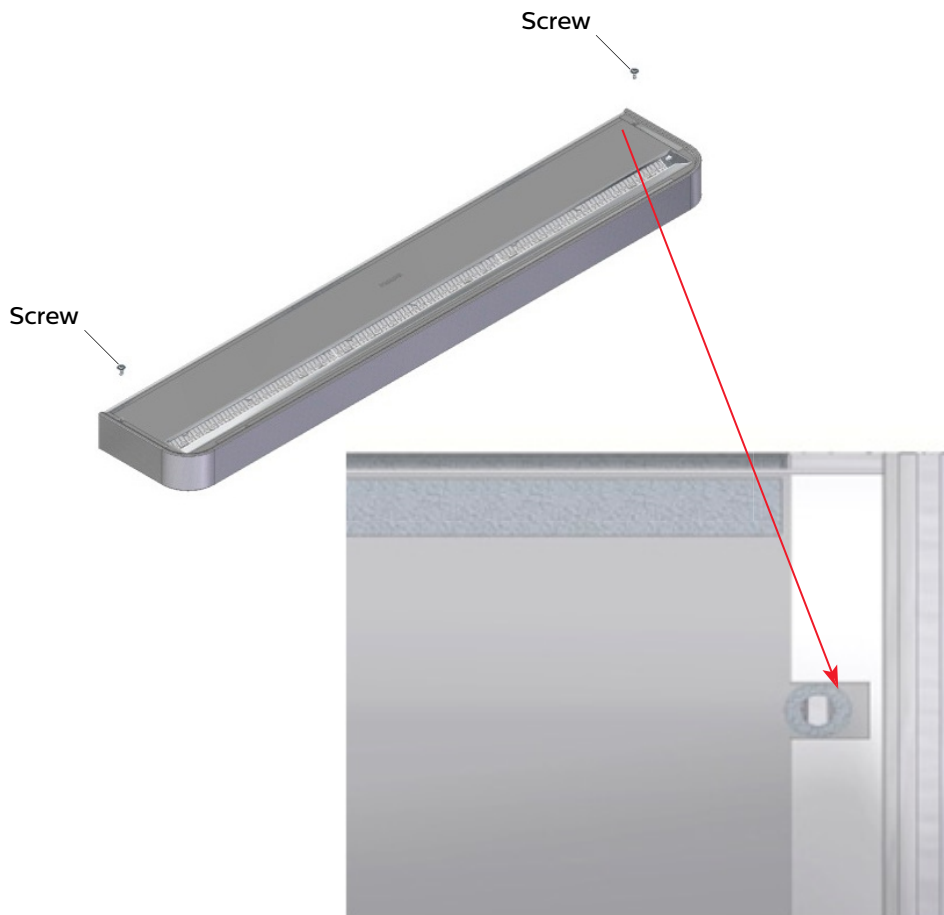


- Make sure that all wires are placed inside the wall bracket, and slide the light unit farther over the wall bracket until both holes in the plastic optical cover are aligned with the mounting holes in the wall bracket.



Warning!

If considerable force is required to slide the light unit all the way to the wall or if it springs back, there is most likely a trapped wire or connector in the way: make sure to place the wires in the back side of the luminaire and avoid excess length.



- Fasten the light unit to the wall bracket with both supplied screws. These screws only need to prevent the luminaire from sliding back away from the wall and only need to be secured hand-tight. Maximum torque: 0.5 Nm



Warning!

Only tighten these screws with a manual screwdriver. Do not use power tools.

7. Settings

Before putting the luminaire into service, if applicable, program the desired scenes into the DALI/DMX controller for the luminaire. Depending on the luminaire type, dimensions of the room and reflective properties of the walls and ceiling, it may be necessary to change the output levels to reach the desired lux levels.

8. Cleaning

Note: Periodic cleaning of the faceplate results in improved light efficiency.

Use regular glass cleaner.

Do not use concentrated disinfectant or a solvent.

For cleaning the other outer surfaces, use a cloth dampened with any usual cleaner.

Check the compatibility of the cleaner with lacquer and plastics before use.

The following cleaning agents have been tested or declared compatible by the supplier and are safe to use when diluted according to the instructions:

- “Terralin Protect” (Schülke)
- “Antifect Extra” (Schülke)
- “Hexaquart® plus”

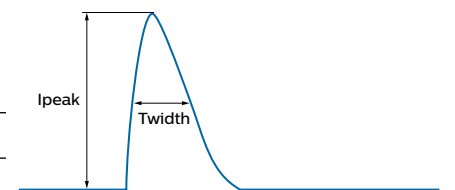
Observe all applicable local regulations.

Clean **with a damp cloth only**; spraying is not allowed.

9. Technical data

Connection	Push in
Nominal voltage / freq range	230 V ~ 50/60 Hz
Ingress protection code (installed luminaire)	IP 40
Glow wire test (°C)	650
Net weight each (kg)	Max 6.0 kg
Ambient temperature (transport and storage)	-20°C to +70°C
Ambient temperature (operating)	0°C to +35°C
Relative humidity	Max. 90%
Inrush current (per driver)	48 A (max.)
Mains current pulse-time half peak	180 µs
Ground fault current	0.7 mA (max)
Number of drivers on MCB (16A type B)	20 max (indirect only 24 max)
Number of drivers connected to one 30 mA residual current detector	30 max

	Indirect light driver	Direct light driver
Inrush current I_{peak}	22 A	21 A
Inrush current T_{width}	275 µs	255 µs



10. Approval

The designated product:

WL484W LED52S/830 PSD D/I RLY D26 SW SI

is/are in conformity with the essential requirements of the following European Directives and harmonized standards:

Low Voltage Directive (LVD), 2006/95/EC

- EN 60598-2-1 Edition 7.0 2008-04 Fixed general purpose luminaires
- EN 60598-2-25 Edition 1.0 1996-08 Luminaires for use in clinical areas of hospitals and health care buildings
- IEC 62031 Edition 1.0 2008-01 LED Modules for general lighting

Electromagnetic Compatibility Directive (EMC), 2004/108/EC

- EN 55015 Limits and methods of measurement of radio disturbance characteristics of electrical lighting
- EN 61547 Equipment for general lighting purposes – EMC immunity requirements
- EN 61000-3-2 Limits for harmonic current emissions (<16A per phase)
- EN 61000-3-3 Limits for voltage fluctuations and flicker

Additional

- IEC 62471-2 Photobiological safety of lamps and lamp systems (Issue date 08/2009)
- IEC62722-2-1 Luminaire performance – Part 2-1: Particular requirements for LED luminaires
- IEC62717 LED modules for general lighting – Performance requirements

Specification

The factory is certified in accordance with:

- Quality Management System ISO9001:2008 Certificate no. GB/10/81148.00 issued by SGS
- Environmental Management System ISO 14001
- Occupational Health & Safety Management System OHSAS 18001
- The in-house laboratory is accredited by DEKRA Testing and Certification for Supervised Manufacturer's Testing in compliance with ISO/IEC 17025

Restriction of the use of certain Hazardous Substances in electrical and electronic equipment Directive (RoHS), 2011/65/EC

- EN 50581:2012 Technical documentation for the assessment of electrical and electronic products with respect to the restriction of hazardous substances

Sample(s) has/have been type tested by: Philips Lighting B.V., Winterswijk, The Netherlands

The designated product(s)

WL484W LEDXXS/840 PSD D/I SW WH
WL484W LEDXXS/830 PSD D/I SW WH
WL484W LEDXXS/840 PSD D/I SW SI
WL484W LEDXXS/830 PSD D/I SW SI

WL484W LEDXXS/840 PSD IND WH
WL484W LEDXXS/830 PSD IND WH
WL484W LEDXXS/840 PSD IND SI
WL484W LEDXXS/830 PSD IND SI

is/are in conformity with the essential requirements of the following European Directives and harmonized standards:

Low Voltage Directive (LVD), 2006/95/EC

- EN 60598-2-1 Edition 7.0 2008-04 Fixed general purpose luminaires
- EN 60598-2-25 Edition 1.0 1996-08 Luminaires for use in clinical areas of hospitals and health care buildings
- IEC 62031 Edition 1.0 2008-01 LED Modules for general lighting

Electromagnetic Compatibility Directive (EMC), 2004/108/EC

- EN 55015 Limits and methods of measurement of radio disturbance characteristics of electrical lighting
- EN 61547 Equipment for general lighting purposes – EMC immunity requirements
- EN 61000-3-2 Limits for harmonic current emissions (<16A per phase)
- EN 61000-3-3 Limits for voltage fluctuations and flicker

Additional

- IEC 62471-2 Photobiological safety of lamps and lamp systems (Issue date 08/2009)
- IEC62722-2-1 Luminaire performance – Part 2-1: Particular requirements for LED luminaires
- IEC62717 LED modules for general lighting – Performance requirements

Specification

The factory is certified in accordance with:

- Quality Management System ISO9001:2008 Certificate no. GB/10/81148.00 issued by SGS
- Environmental Management System ISO 14001
- Occupational Health & Safety Management System OHSAS 18001
- The in-house laboratory is accredited by DEKRA Testing and Certification for Supervised Manufacturer's Testing in compliance with ISO/IEC 17025

Restriction of the use of certain Hazardous Substances in electrical and electronic equipment Directive (RoHS), 2011/65/EC

- EN 50581:2012 Technical documentation for the assessment of electrical and electronic products with respect to the restriction of hazardous substances

Remarks:

XX = the declaration of conformity is valid for all lumen packages between LED30S and LED52S in these types.

The notified body, DEKRA, conducted ENEC05 and issued certificate no. 2179701.01.

Sample(s) has/have been type tested by: Philips Lighting B.V., Winterswijk, The Netherlands

