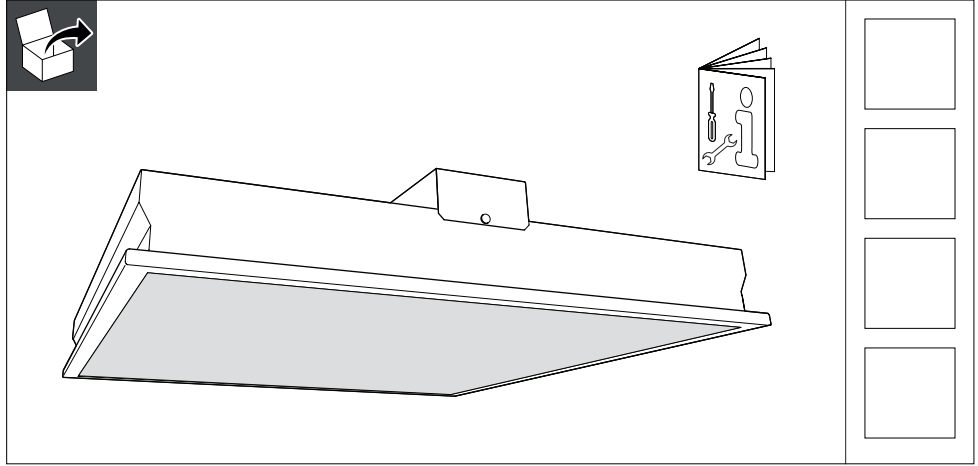


# PHILIPS

## Smartbalance TWH

RC480B/RC482B



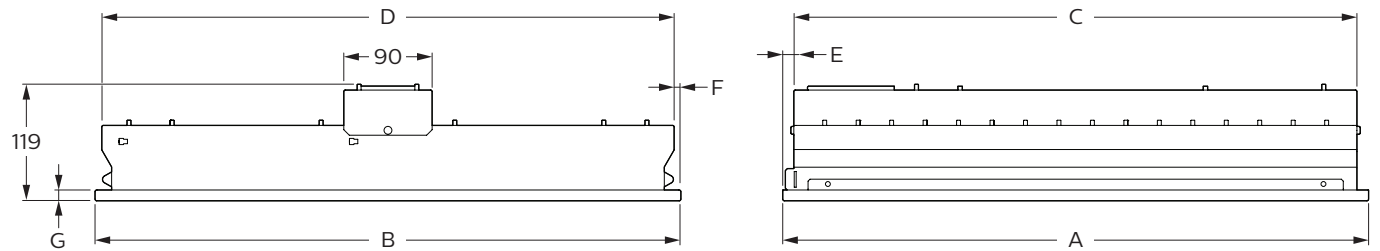
Dimensions in mm



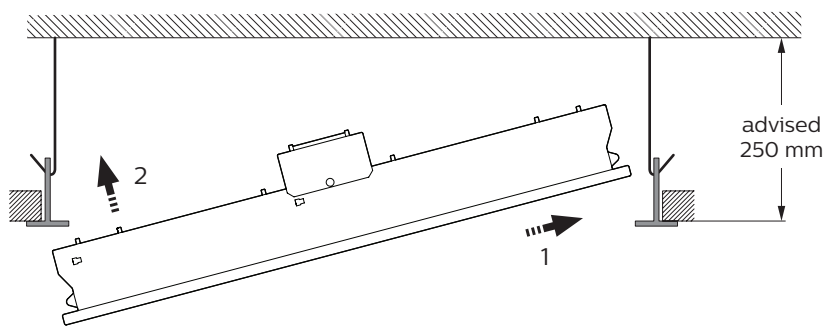
	Module			A	B	C	D	E	F	G	
RC480B	600	VPC	W60L60	597	597	575	583	11	7	11	8.9
RC482B	625	VPC	W62L62	622	622	600	588	11	17	11	9.2

VPC visible profile ceiling

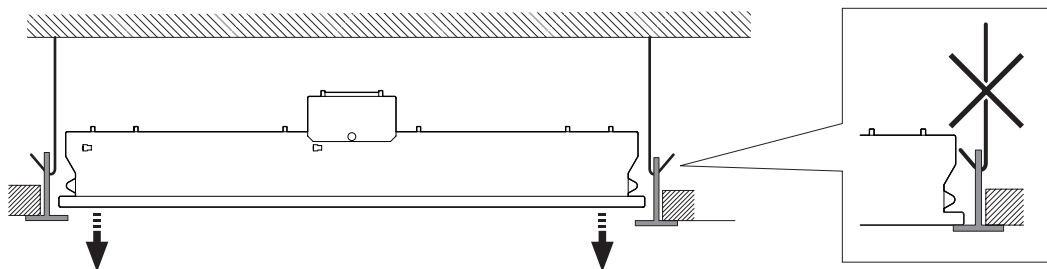
VPC W60L60 / W62L62



VPC (Lay-in)



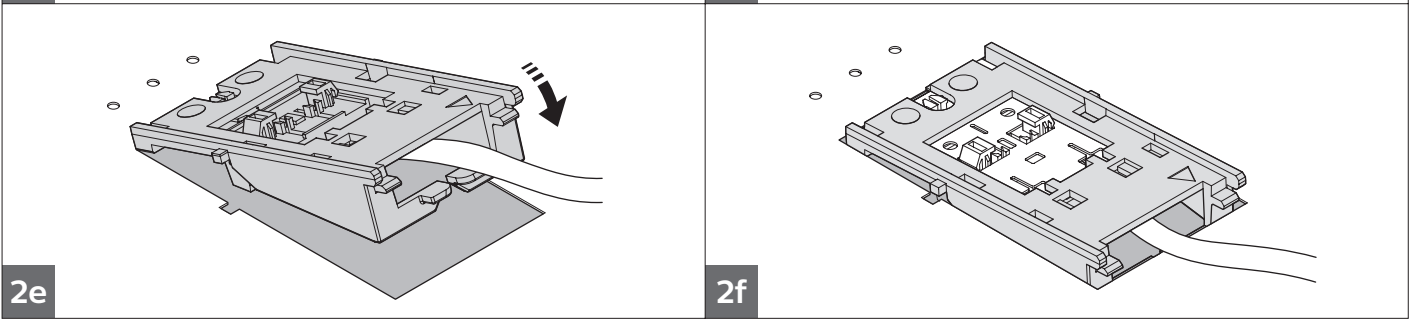
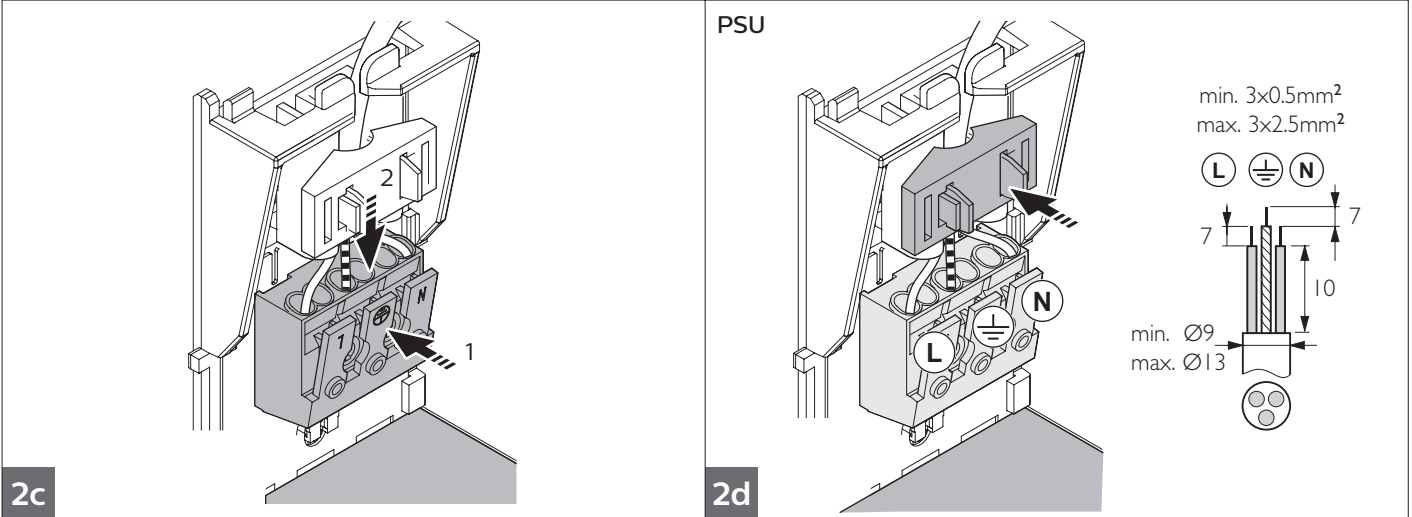
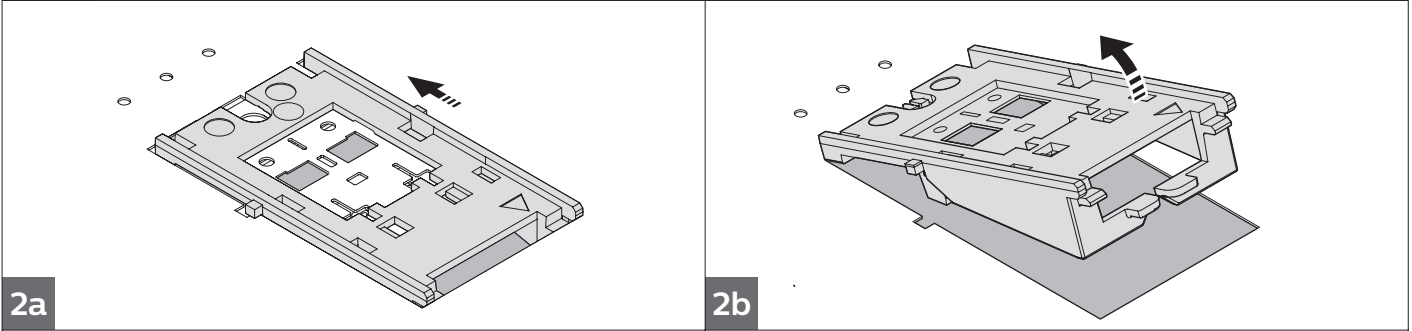
1



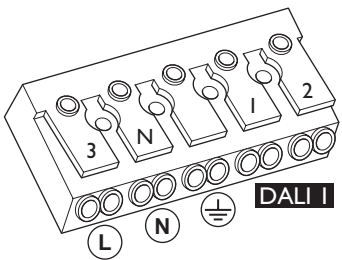
2



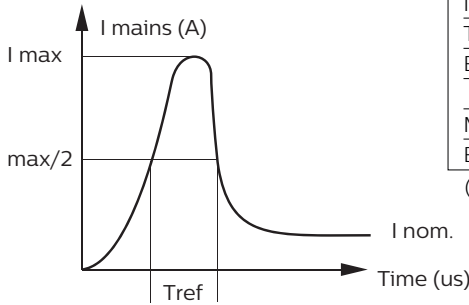
### Push-in (PIP)



### PSD TWH



### Inrush current



SmartBalance LED80S Electrical characteristics	
I <sub>max</sub> (A)	4,6
T <sub>ref</sub> (µs)	900
EL I max. (mA)	0,7
Luminaire Max.	
MCB (B-16 A)	12
EL CB 30 mA	12

(EL = Earth leakage)



- The luminaire shall be installed by a qualified electrician and wired in accordance with the latest IEE electrical regulations or the national requirements.
  - Please do not remove the protect film before installing to avoid scraping or dirtying the optical part.
  - Indoor use only.
  - During installation or maintaining the luminaire please use gloves to avoid spots on the cover.
- To remove dirt and spots use the following:
- Dust: use micro fiber cloths only
  - Fingerprints, etc.: use a cleaner for synthetic materials with antistatic properties.

