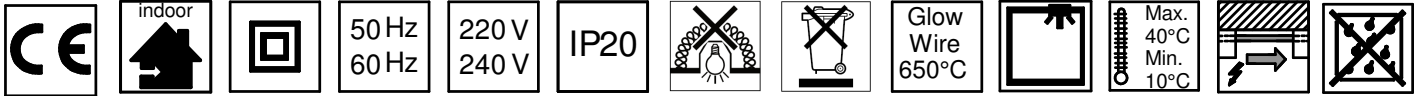
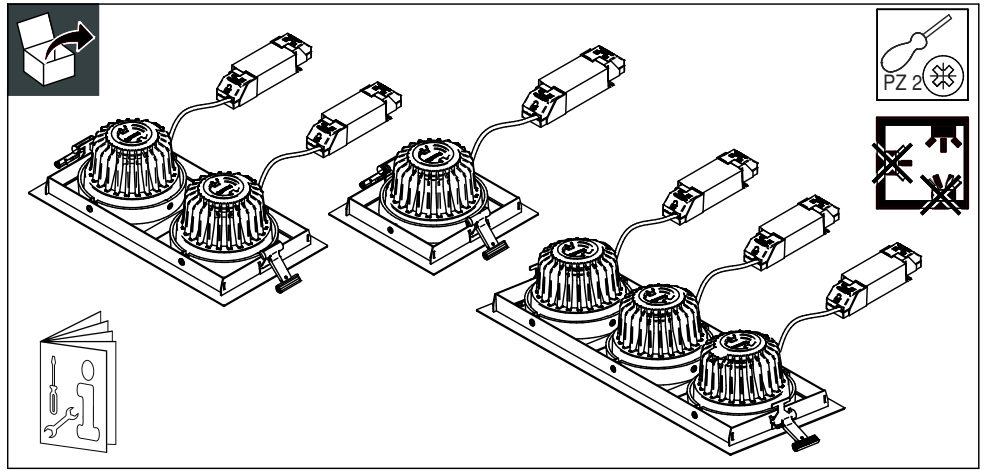


PHILIPS

GreenSpace Accent Gridlight

GD301B/GD302B/GD303B



Model	Lumen package	Color Temperature [K]	
GD301B	LED17S	830/840/PW930	1,2
	LED27S	830/840/PW930	1,2
	LED39S	830/840/PW930	1,2
	LED49S	830/840	1,2
GD302B	LED17S	830/840/PW930	2,2
	LED27S	830/840/PW930	2,2
	LED39S	830/840/PW930	2,2
GD303B	LED17S	830/840/PW930	3,1
	LED27S	830/840/PW930	3,1
	LED39S	830/840/PW930	3,1
	LED49S	830/840	3,1



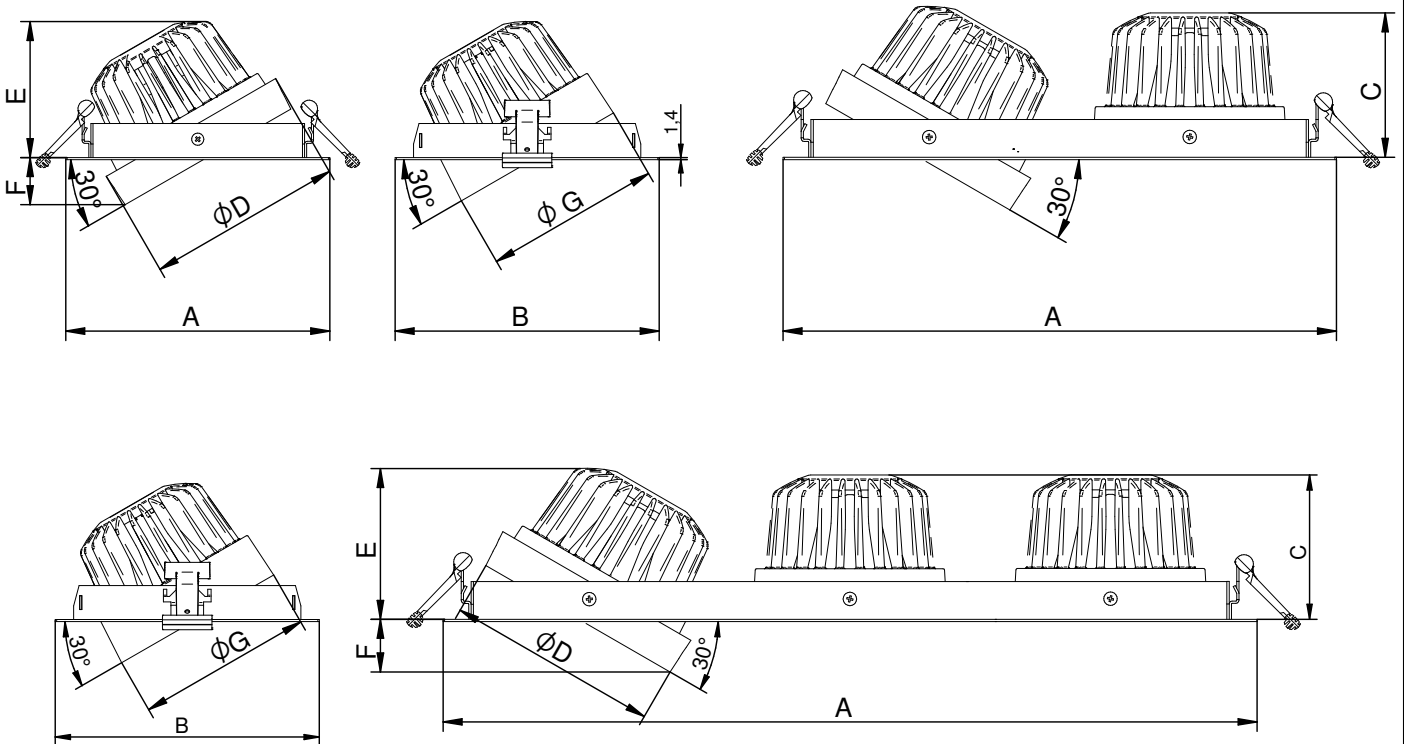
⚠ The luminaire shall be installed by a qualified electrician and wired in accordance with the latest IEE electrical regulations or the national requirements.

⚠ Caution, risk of electric shock. The light source of this luminaire is not replaceable, when the light source reaches its end of life the whole luminaire shell be replaced. The driver shall only be replaced by the manufacturer or his service agent or a similar qualified person.

⚠ The luminaire shall, under no circumstance, be covered with thermal insulation matting or similar material.



Main dimensions (in mm)

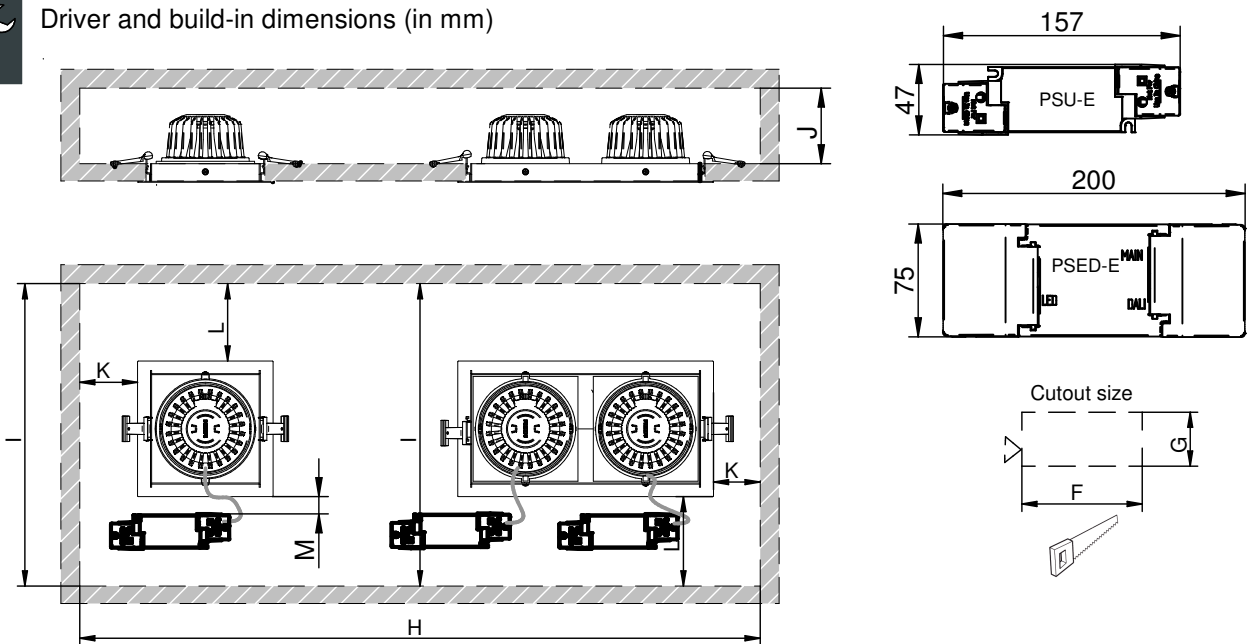


	A[mm]	B[mm]	C[mm]	D[mm]	E[mm]	F[mm]	G[mm]
GD301B	194	194	96	144	100	35	129
GD302B	366	194	96	144	100	35	129
GD302B	538	194	96	144	100	35	129

*M in a build-in dimensions



Driver and build-in dimensions (in mm)

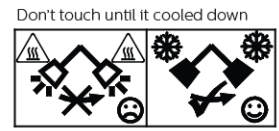
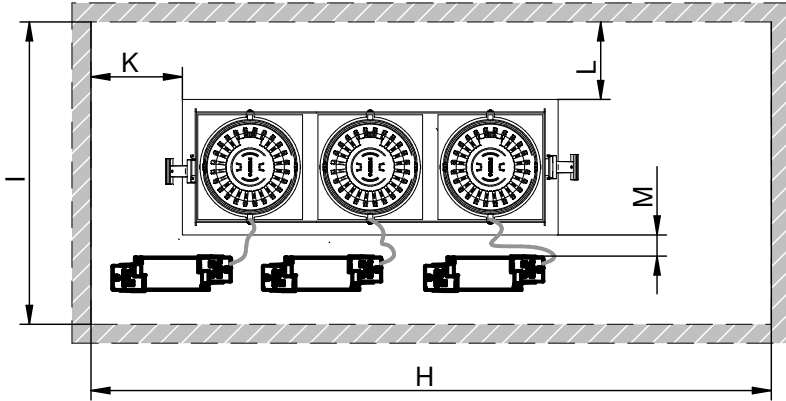
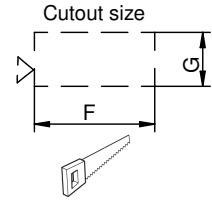
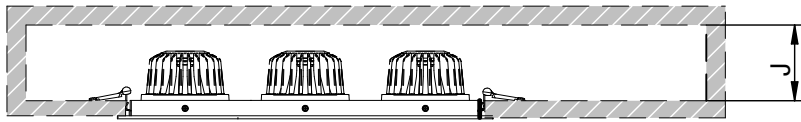


	F[mm]*	G[mm]*	H[mm]*	I[mm]*	J[mm]*	K[mm]*	L[mm]*	M[mm]*
GD301B	177	177	900	400	100	75	100	20
GD302B	348	177	900	400	100	75	100	20
GD303B	520	177	900	400	100	75	100	20





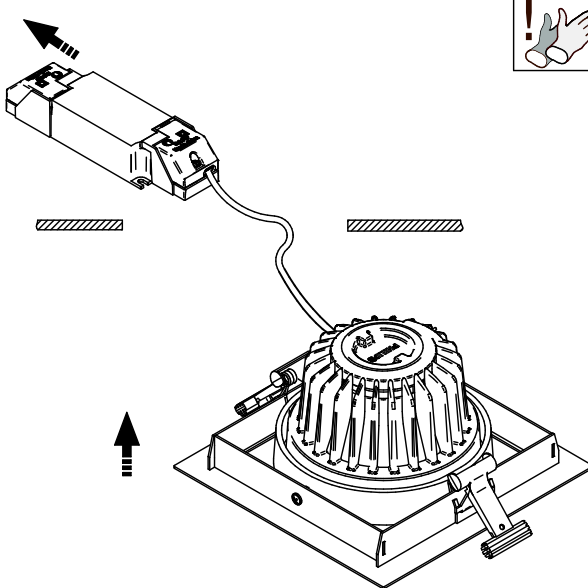
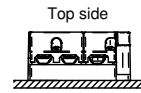
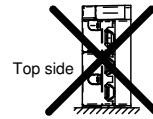
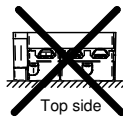
Driver and build-in dimensions (in mm)



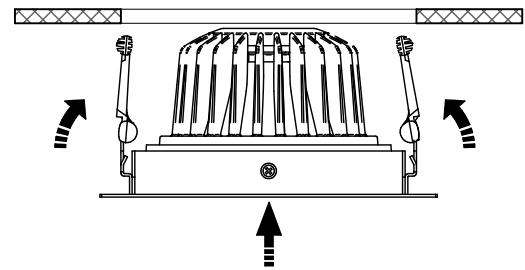
	F[mm]*	G[mm]*	H[mm]*	I[mm]*	J[mm]*	K[mm]*	I[mm]*	M[mm]*
GD301B	177	177	900	400	100	75	100	20
GD302B	348	177	900	400	100	75	100	20
GD303B	520	177	900	400	100	75	100	20



Installation positions

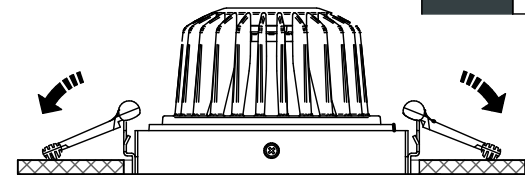


1a

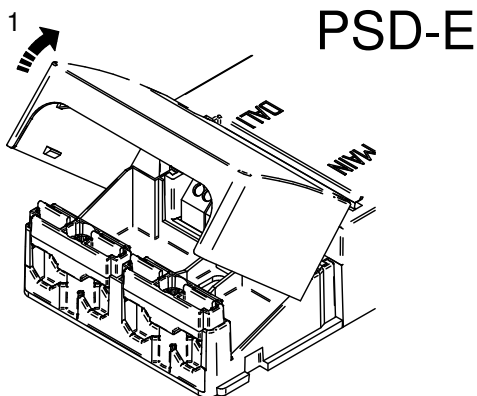
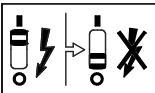


1b

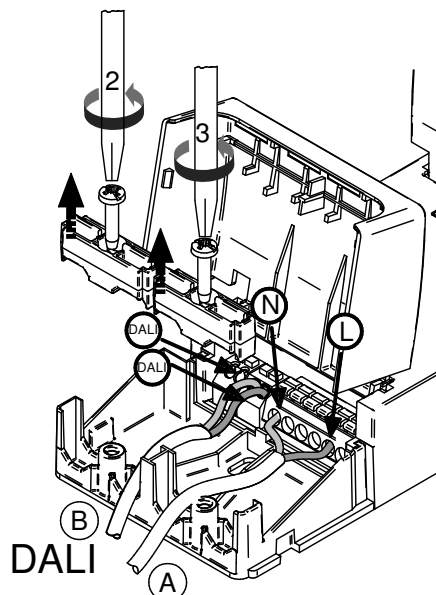
Luminaire not suitable for being covered with thermally insulating material!



1c



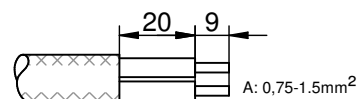
2a



DALI

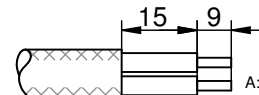
~220-240V

A: ~220-240V cable

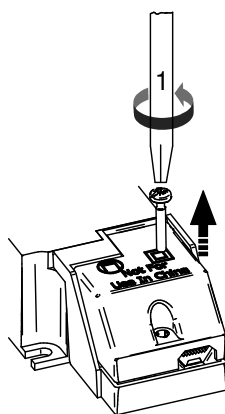


A: 0,75-1.5mm²

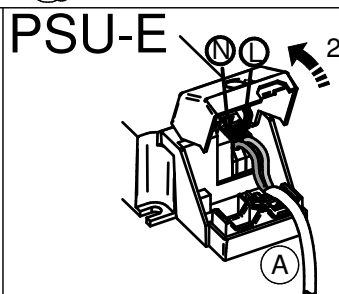
B: DALI cable



A: 0,75-1.5mm²



3a

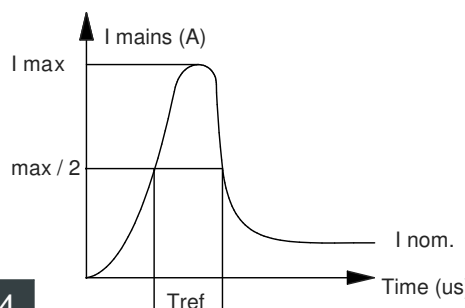


3b

LED27S&LED39S

2b

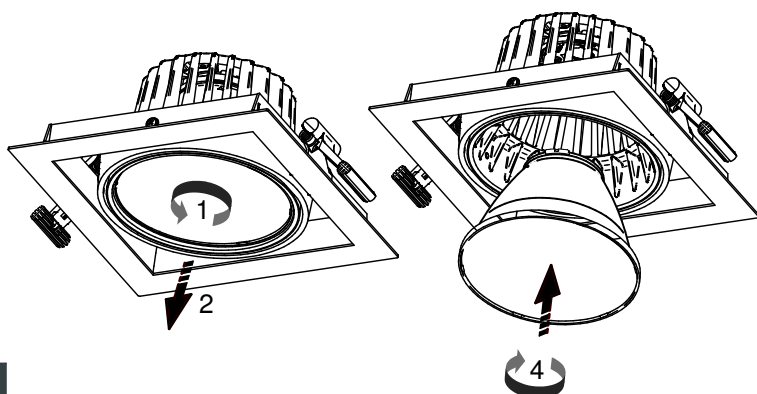
Inrush current



4

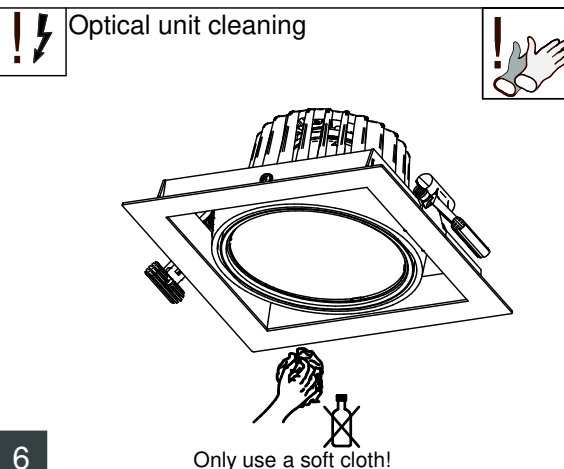
LED175/830,840,PW930		LED27S/PW930		LED27S/830,840		LED39S/830,840		LED39S/PW930 LED49S/830,840	
20W PSU		36W PSU		28W PSU		34W PSU		50W PSU	
I _{peak} [A]	18,6	I _{peak} [A]	18,6	I _{peak} [A]	6,1	I _{peak} [A]	11	I _{peak} [A]	18
T _{ref} [us]	240	T _{ref} [us]	240	T _{ref} [us]	310	T _{ref} [us]	306	T _{ref} [us]	250
MCB	Max products [pcs]*	MCB	Max products [pcs]*	MCB	Max products [pcs]*	MCB	Max products [pcs]*	MCB	Max products [pcs]*
B-16A type B	≤34	B-16A type B	≤34	B-16A type B	≤34	B-16A type B	≤34	B-16A type B	≤30
PSU-E									
LED175/830,840,PW930		LED27S/830,840,PW930 LED39S/830,840		LED39S/PW930 LED49S/830,840					
20W PSD-VLC-E(1head)/PSD-E(2&3 head)		36W PSD-VLC-E(1head)/PSD-E(2&3 head)		50W PSD-VLC-E(1head)/PSD-E(2&3 head)					
I _{peak} [A]	20,4	I _{peak} [A]	20,4	I _{peak} [A]	24,9				
T _{ref} [us]	195	T _{ref} [us]	195	T _{ref} [us]	186				
MCB	Max products [pcs]*	MCB	Max products [pcs]*	MCB	Max products [pcs]*				
B-16A type B	≤24	B-16A type B	≤24	B-16A type B	≤27				
PSD-VLC-E(1head)/PSD-E(2&3 head)									

Optical unit replacement



5

Optical unit cleaning



6

© 2018 Signify Holding.

All rights reserved. This document contains information relating to the product portfolio of Signify which information may be subject to change. No representation or warranty as to the accuracy or completeness of the information included herein is given and any liability for any action in reliance thereon is disclaimed. The information presented in this document is not intended as any commercial offer and does not form part of any quotation or contract. Philips and the Philips Shield Emblem are registered trademarks of Koninklijke Philips N.V.. All other trademarks are owned by Signify Holding or their respective owners.

