

PHILIPS

Fresh Food
Pendant

PT570

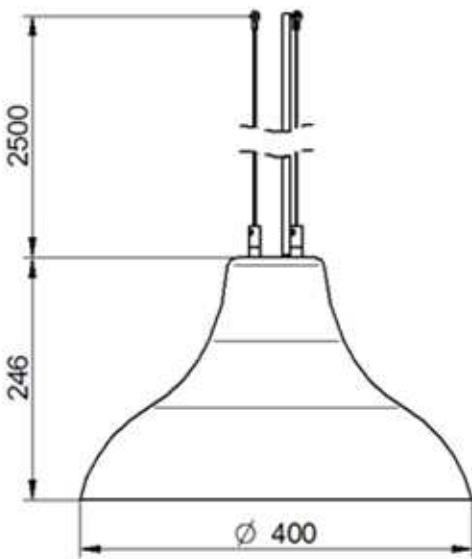


IP20



indoor

GLOW
WIRE
650 °C



LED27S /930

LED27S /840

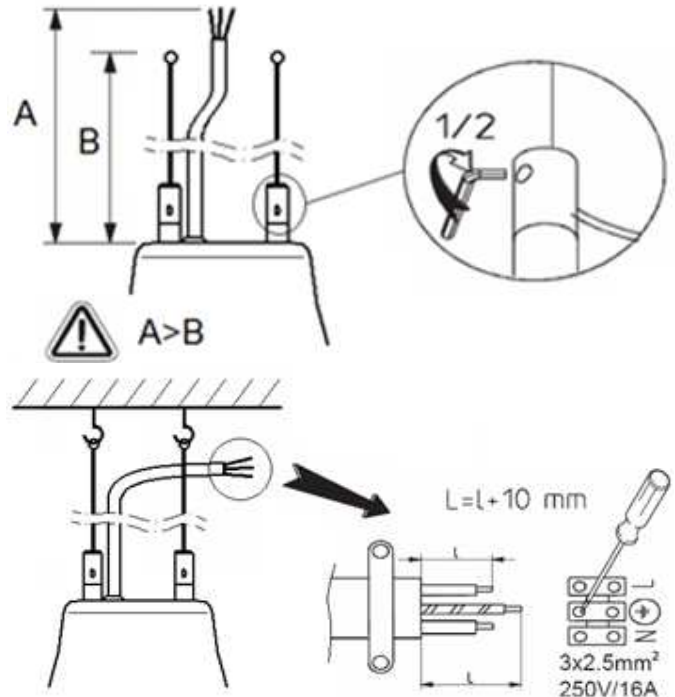
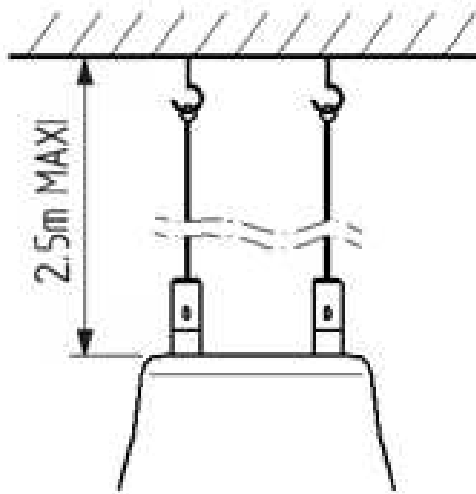
LED27S /CH

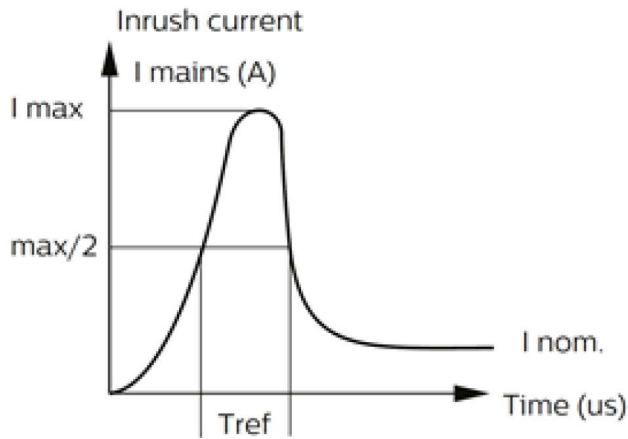
LED19S /FMT

LED19S /ROSE

2,86 Kg

Product info





	LED27S/840, CH	LED19S/FMT, ROSE LED27S/930
	28 W PSU	36 W PSU
Inom (A)	0.15	0.2
I_{max} (A)	6.1	18
Tref (μs)	310	250
MCB	Maximum number of drivers	
B - 10A	x21	x21
B - 16A	x34	x34
C - 10A	x35	x34
C - 16A	x57	x57



© 2018 Signify Holding
 All rights reserved. This document contains information relating to the product portfolio of Signify which information may be subject to change. No representation or warranty as to the accuracy or completeness of the information included herein is given and any liability for any action in reliance thereon is disclaimed. The information presented in this document is not intended as any commercial offer and does not form part of any quotation or contract. Philips and the Philips Shield Emblem are registered trademarks of Koninklijke Philips N.V.. All other trademarks are owned by Signify Holding or their respective owners.

Signify Holding.
 The Netherlands