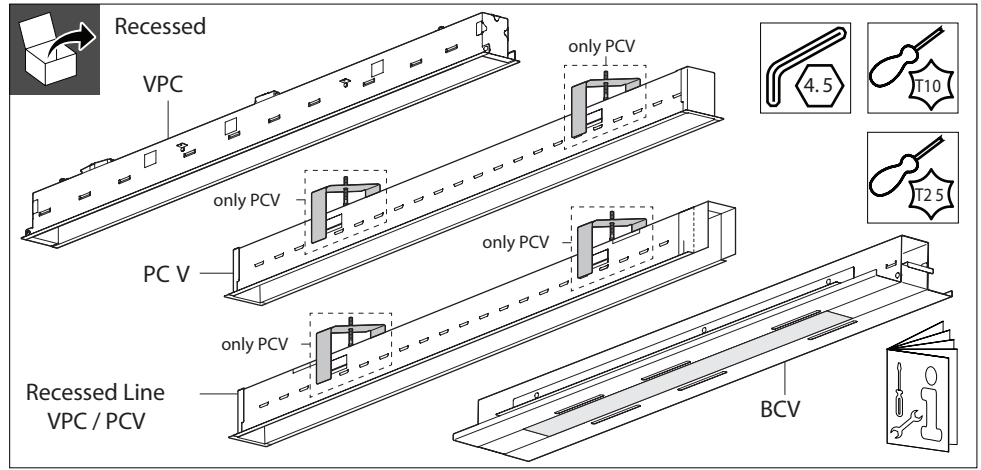


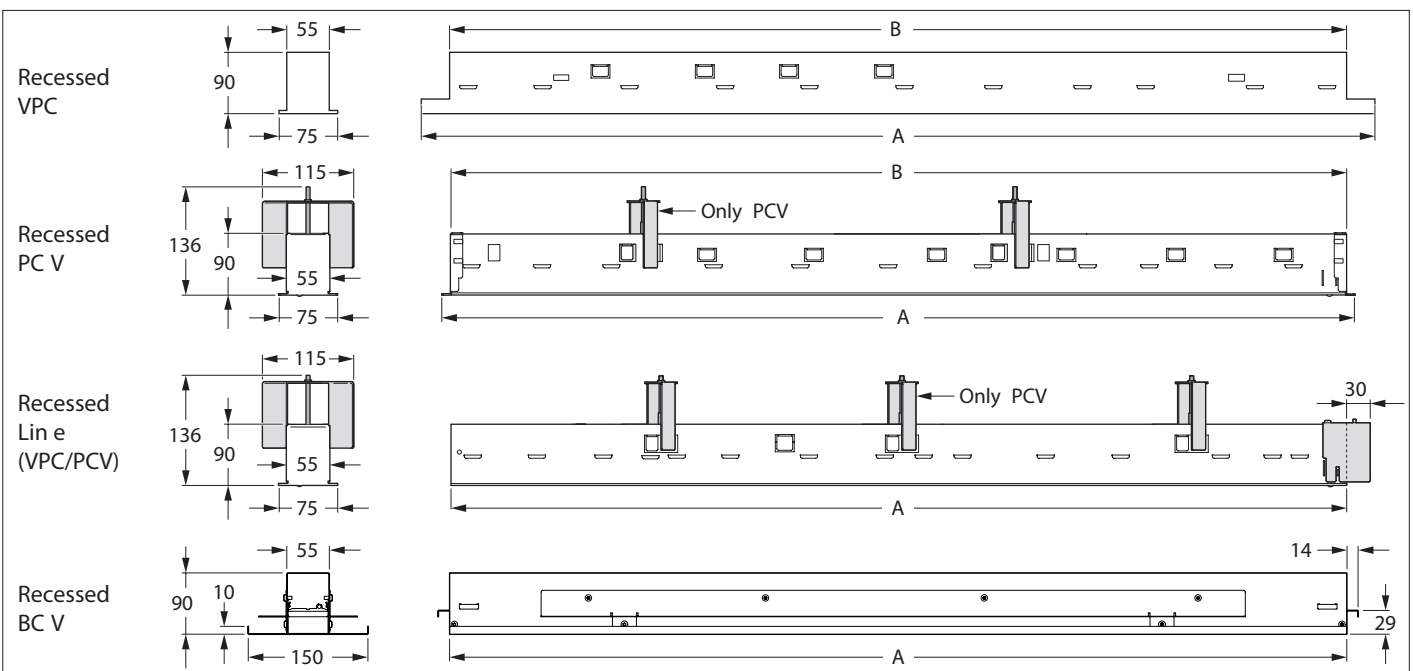
PHILIPS

TrueLine

RC 53 0B



		Sensor/ Blind sensor holder .		VPC	PCV	BCV		
		A	B					
Recessed	VPC	W8L120	1197	1130	2.6			
			1170	•	2.8			
		W8L125	1247	1130	2.8			
			1170	•	2.9			
Recessed	PCV	W8L150	1497	1410	3.2			
			1450	•	3.3			
		W8L113	1152	1130		2.6		
			1192	1170	•	2.8		
Recessed	PCV	W8L141	1432	1410		3.1		
			1472	1450	•	3.4		
		W8L113	1127		2.5	2.7		
			1167	•	2.7	2.9		
Recessed Line	VPC/PCV	W8L141	1408		3.0	3.2		
			1448	•	3.2	3.5		
		Recessed	BCV	W15L172	1722			4.1



Optinal:

RC530Z
EP SET WH

4x(M3)

2x(M4)

2x

Recessed
(add safety cable if required)

2x

1

Wieland

2

3

PC V

60

B+5 mm

B

Min. 12 mm

Max. 42 mm

Solid wood if necessary
(PCV only)

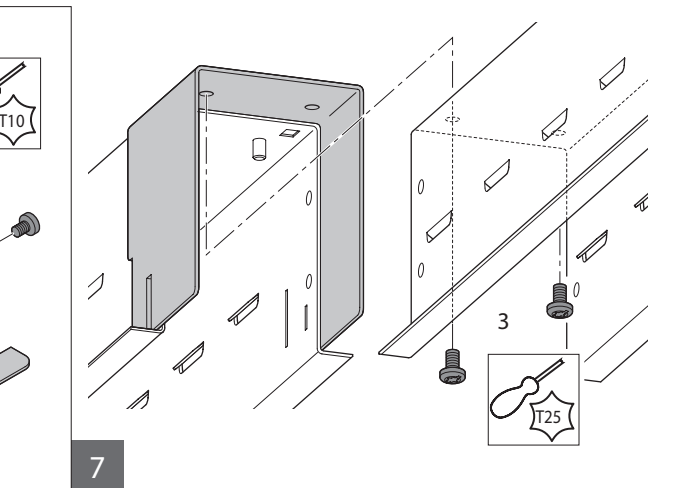
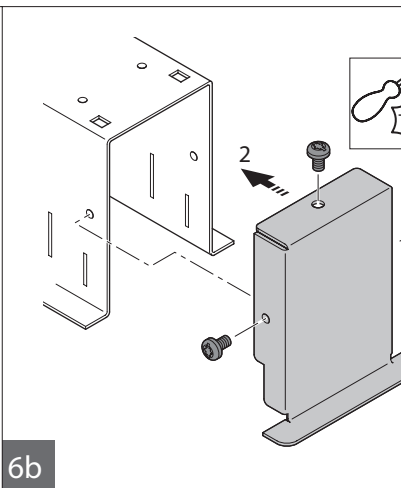
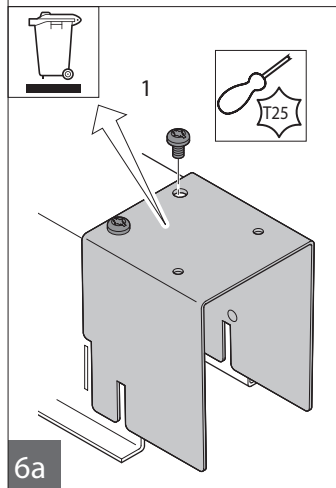
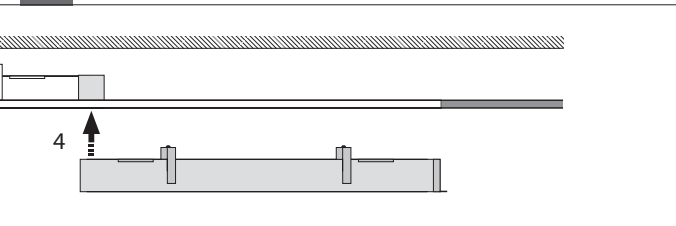
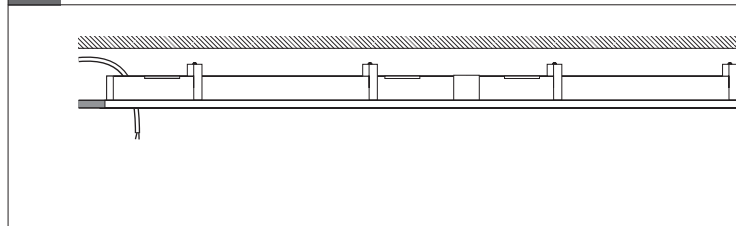
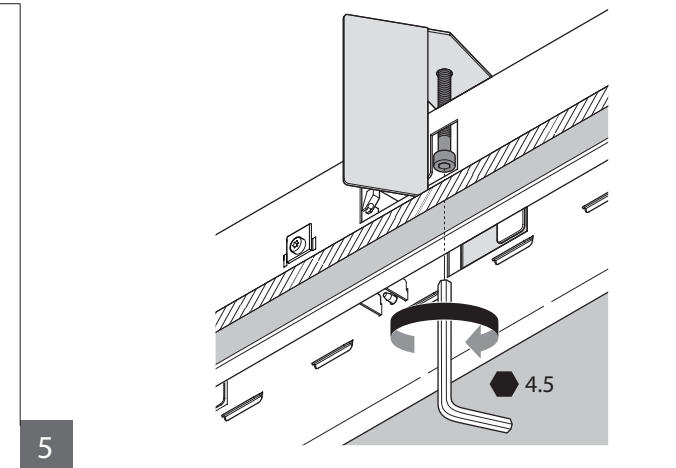
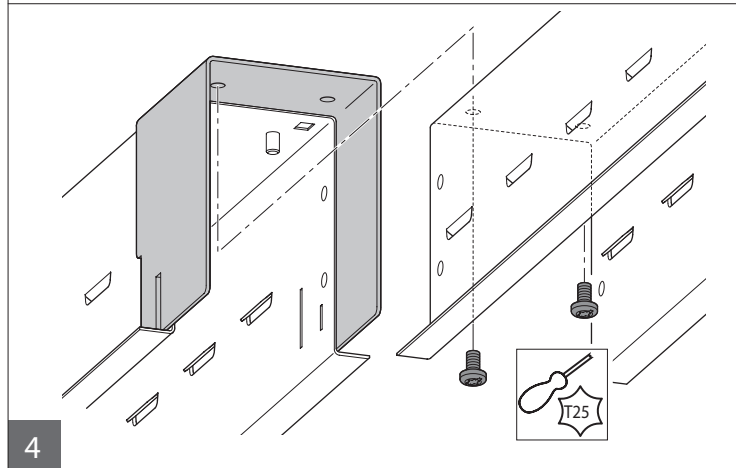
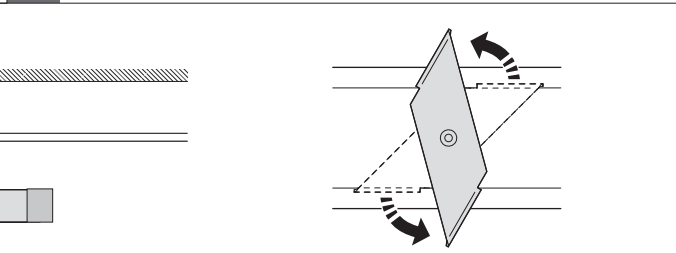
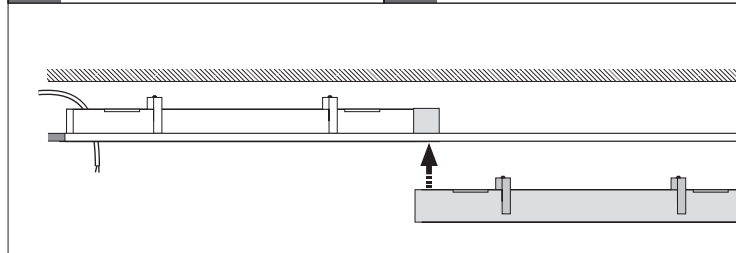
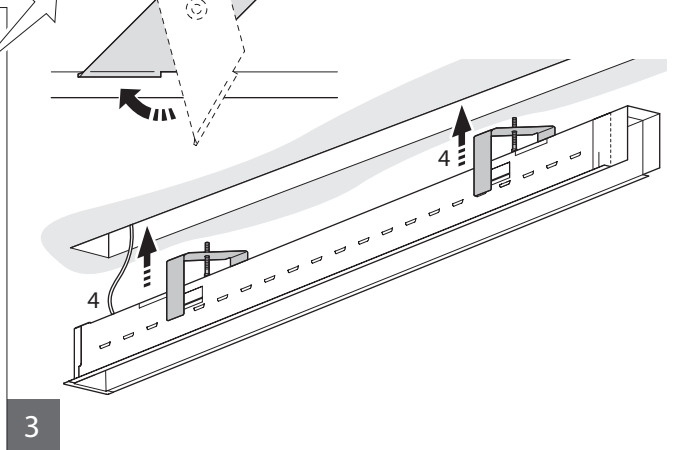
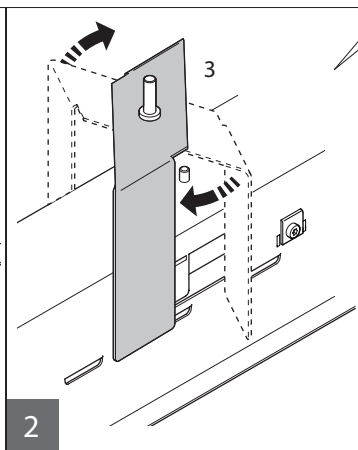
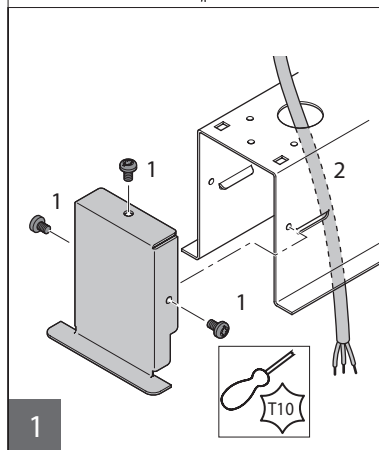
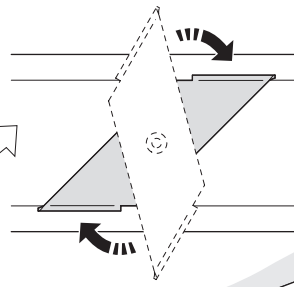
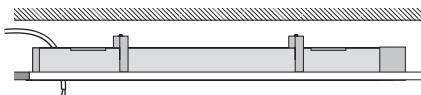
4

5

4.5

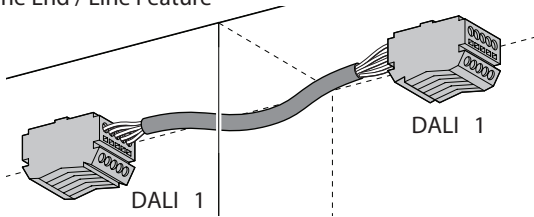


Recessed Line

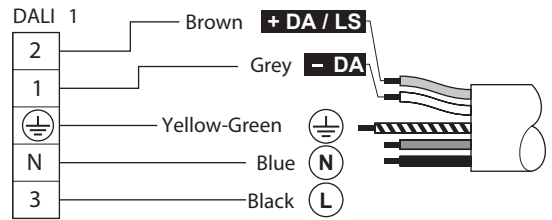




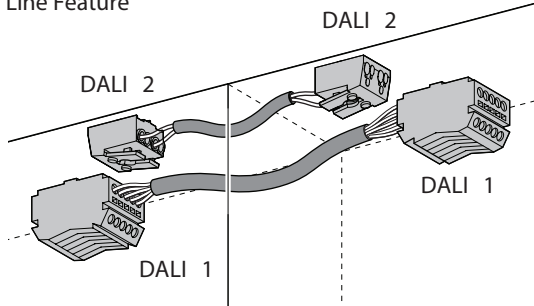
Push-in (PIP) PSD
PI-5
Line End / Line Feature



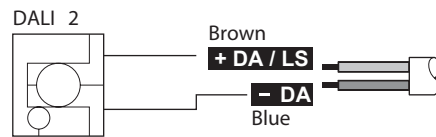
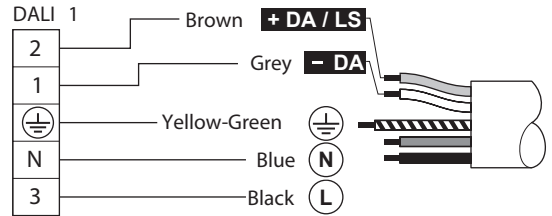
8a



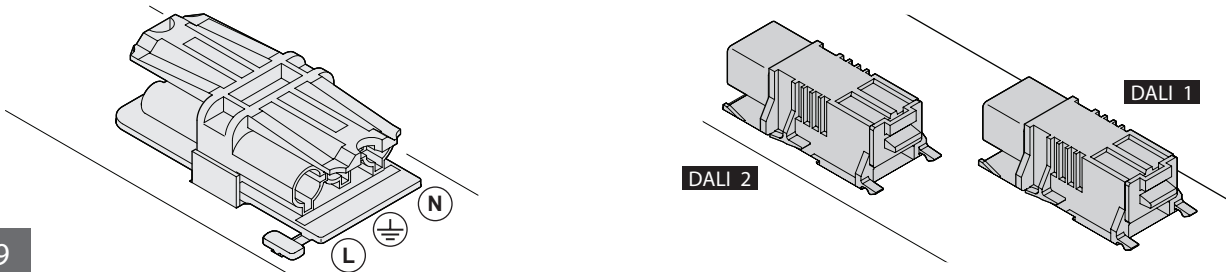
PI-7
Line End / Line Feature



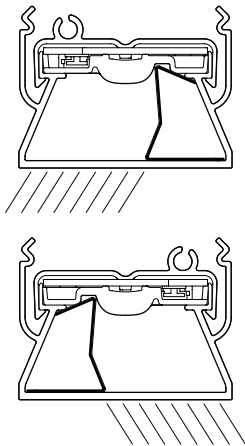
8b



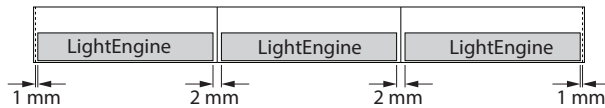
9



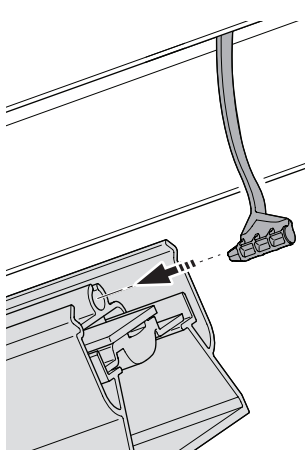
asymmetric
LightEngine



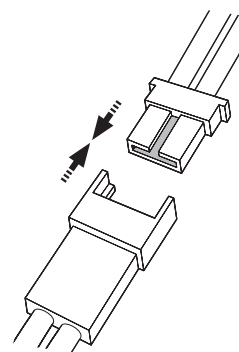
10a



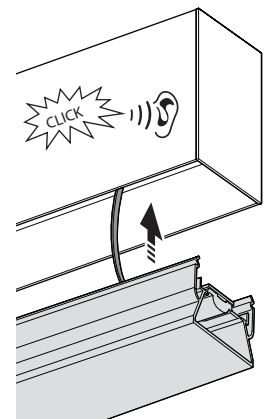
10b



10c

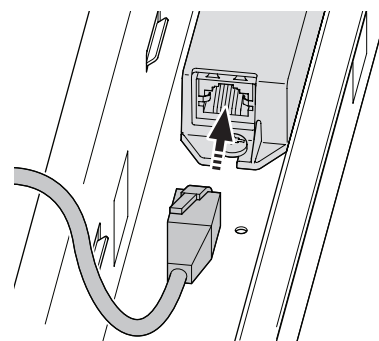


10d



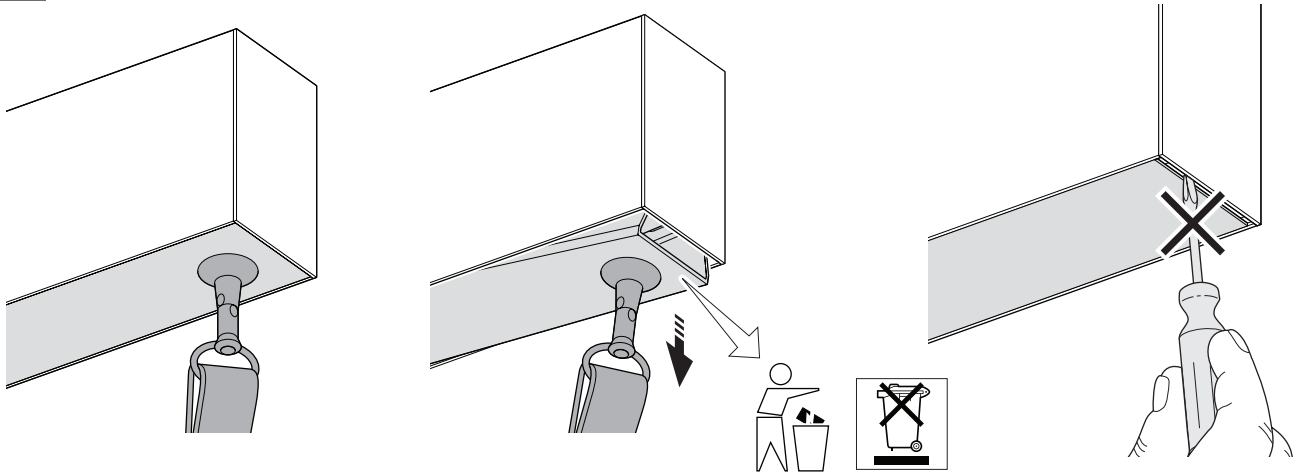
Po E

Condition Philips to specify to the customers (instruction):
> to use UTP (Unshielded Twisted Pair) CAT5E or CAT6 cable.
> the maximum length of the cable to be 20 meters.
Apply a minimum radius of the Ethernet cable of 4x the cable diameter.





Cover remove r (ZZS400 OCR)

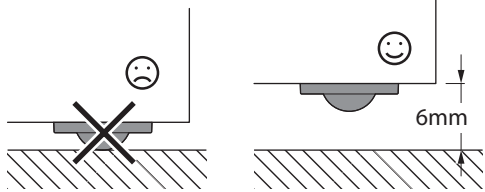


Replace 10a, b, c

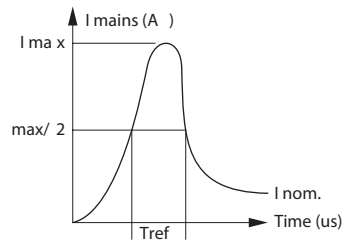



ATTENTION
 OBSERVE PRECAUTIONS
 FOR HANDLING
ELECTROSTATIC
SENSITIVE
DEVICES

ACL/MDU versions only



Inrush current



I_{max}(A)	19
T_{ref}(μs)	280
Condition: Input voltage 220V	
MCB	Luminaires Max.
B-10A	15
B-13A	19
B-16A	24
B-20A	30
B-25A	37
C-10A	24
C-13A	32
C-16A	40
C-20A	49
C-25A	62