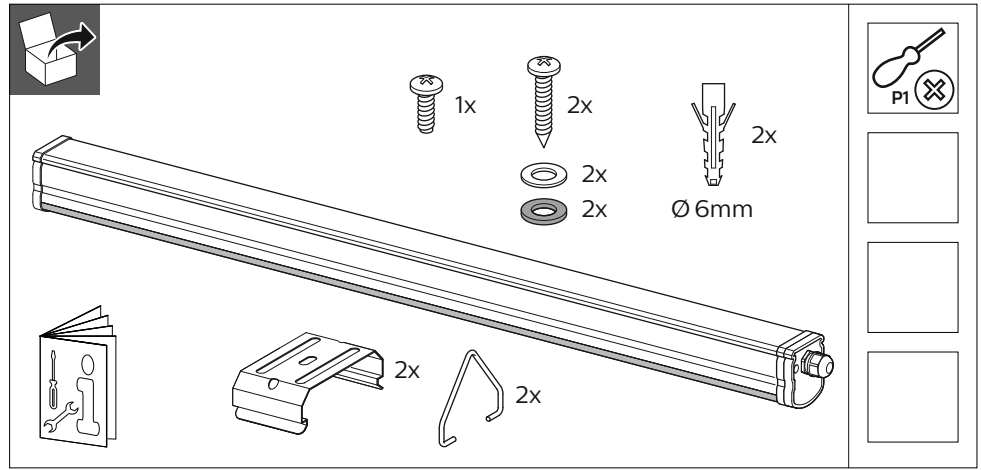


PHILIPS

Ledinaire Waterproof

WT060C



50Hz
60Hz

220V
240V

LIFE
L70B50
30K hrs



IP65

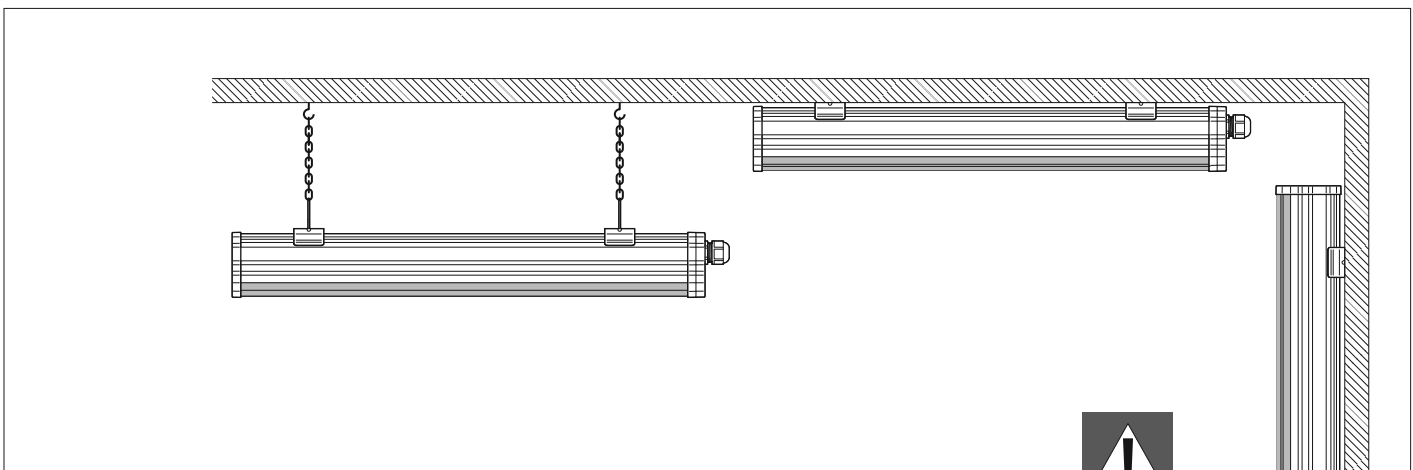
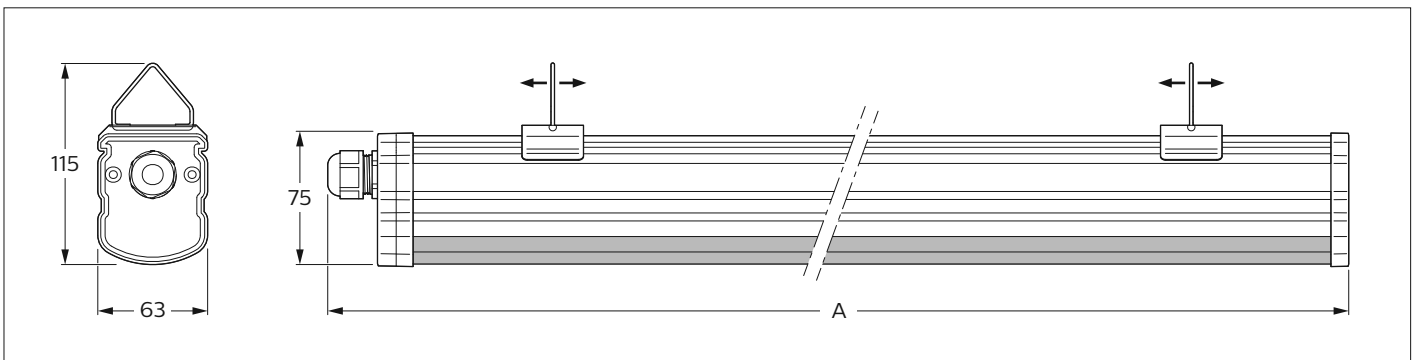
IK08

Ta
30 °C
-20 °C

GLOW
WIRE
850 °C

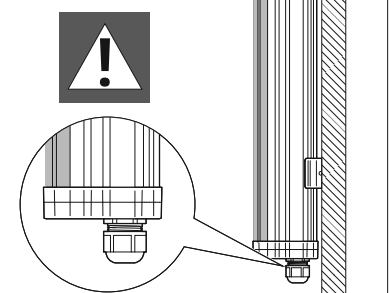


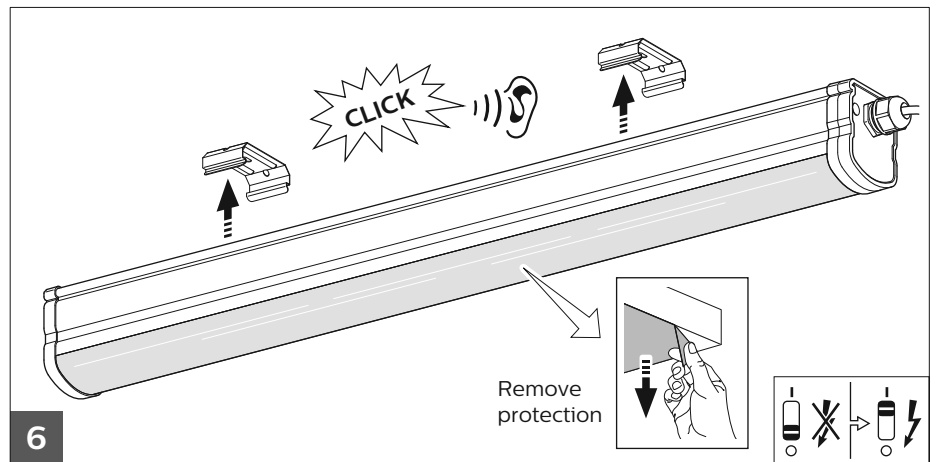
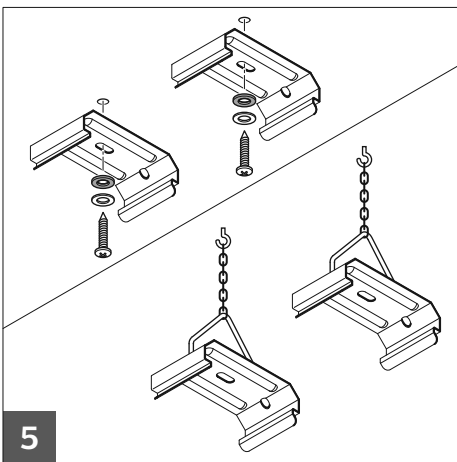
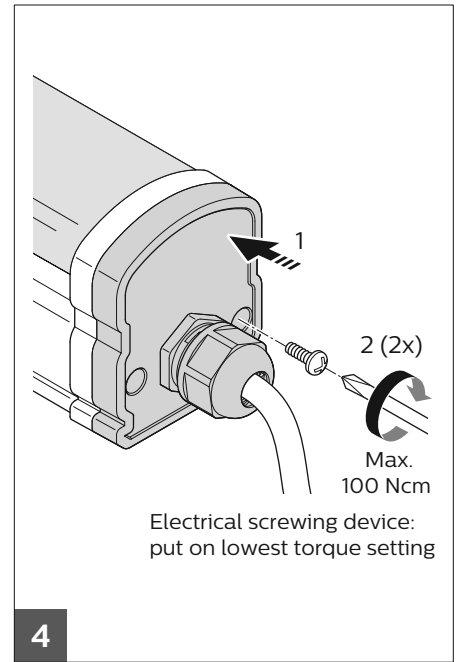
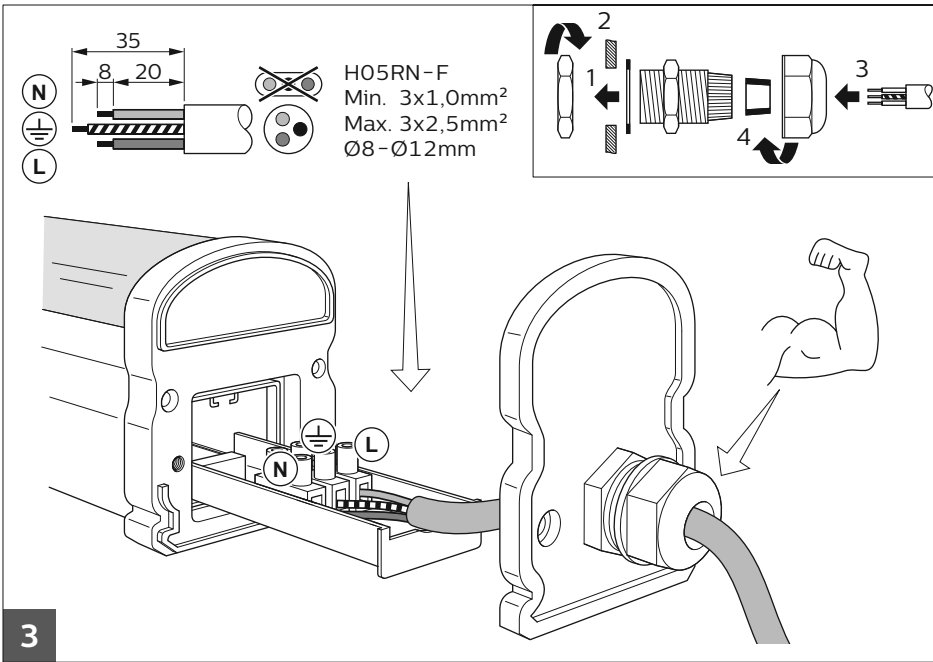
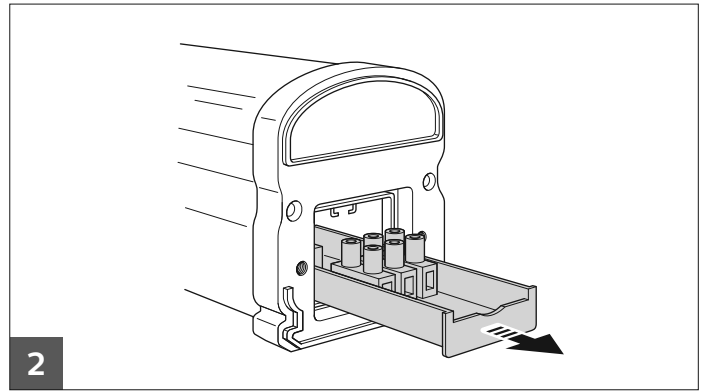
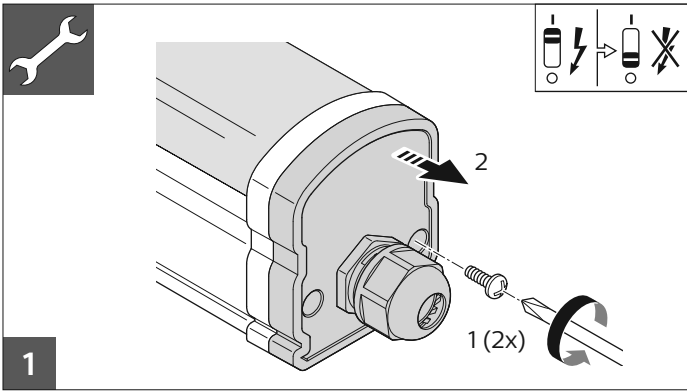
	System lumen	CCT	Driver	P(W)	A	
WT060C LED36S/840 PSU L1200	3600lm	4000K	PSU	38	1180	1,0
WT060C LED55S/840 PSU L1500	5500lm			58	1480	1,2



- The luminaire shall be installed by a qualified electrician and wired in accordance with the latest IEE electrical regulations or the national requirements.
- LED board & led driver are not serviceable and replaceable.

ATTENTION
OBSERVE PRECAUTIONS
FOR HANDLING
ELECTROSTATIC
SENSITIVE
DEVICES





7

	LED36S	LED55S
	Electrical characteristics	
Inom(mA)	240	300
Imax.(A)	5,3	5,3
Tref(µs)	70	70
MCB	Luminaire Max.	
B-10A	15	15
B-16A	24	24
C-10A	24	24
C-16A	40	40

