

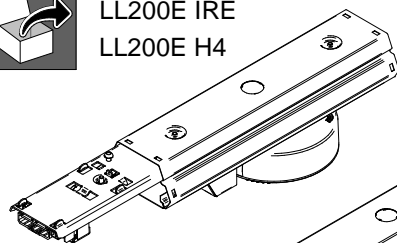
PHILIPS

CoreLine Trunking Gen2

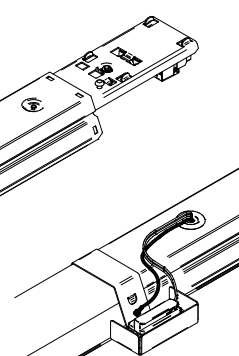
LL200E IRE, LL200E H4, LL200E WGC,
LL200E BLE, LL200Z SPO



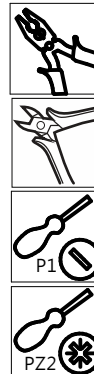
LL200E IRE
LL200E H4



LL200Z SPO

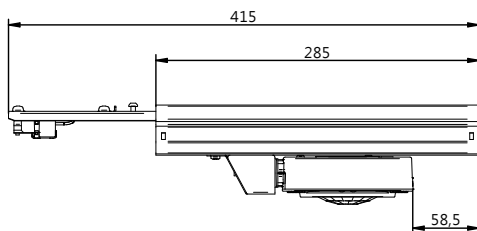


LL200E WGC
LL200E BLE

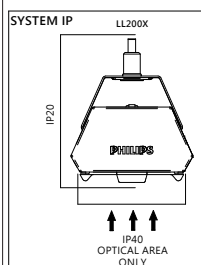


GLOW WIRE
850°C

LL200E IRE
LL200E H4

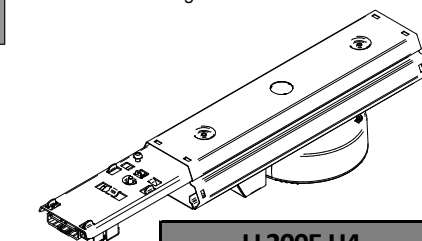


Prevent water from entering on or in the luminaire at installation and during use of the luminaire.

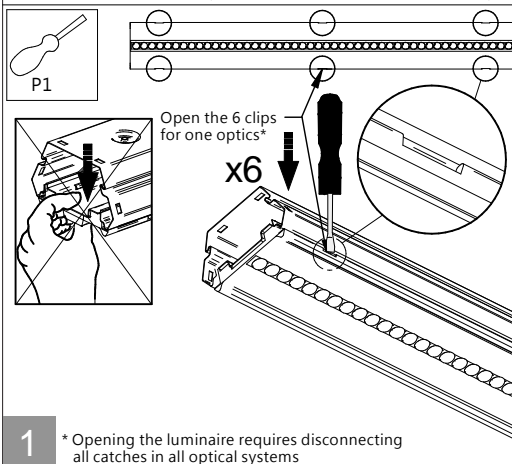


LL200E IRE
LL200E IRE 9 WH
LL200E IRE 7x2.5 WH

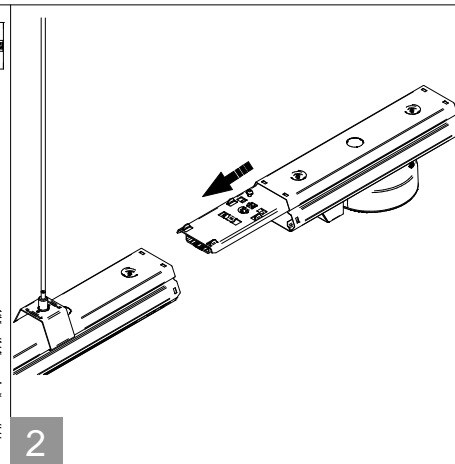
- for use with SIA drivers (sensor LL200E H4) or SR drivers (sensor LL200E IRE)
- one sensor supports max. 4 drivers
- to separate group of luminaires containing one sensor use the separator connector



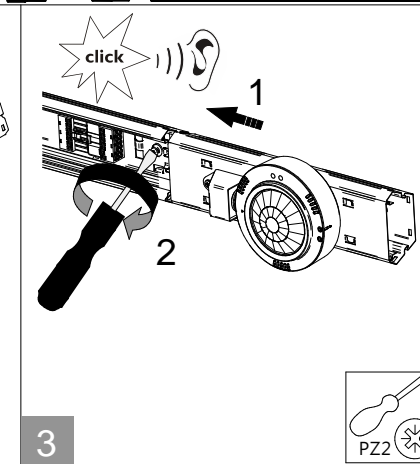
LL200E H4
LL200E H4 9 WH
LL200E H4 7x2.5 WH



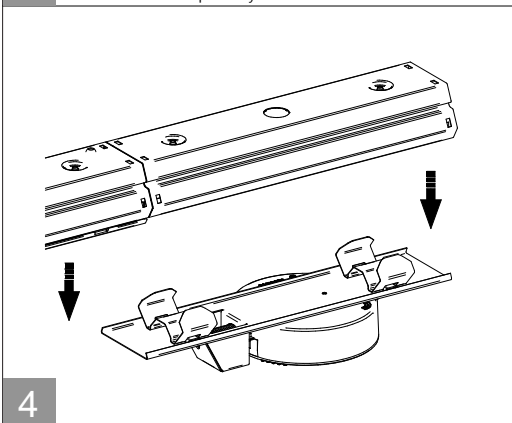
1 * Opening the luminaire requires disconnecting all catches in all optical systems



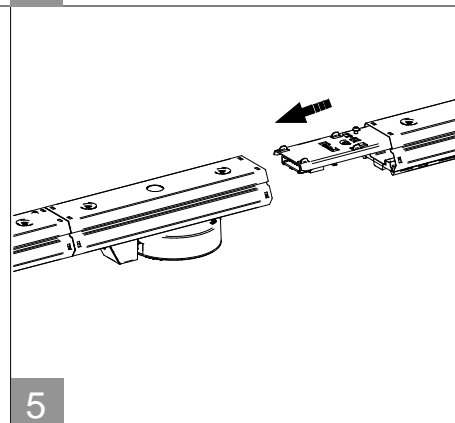
2



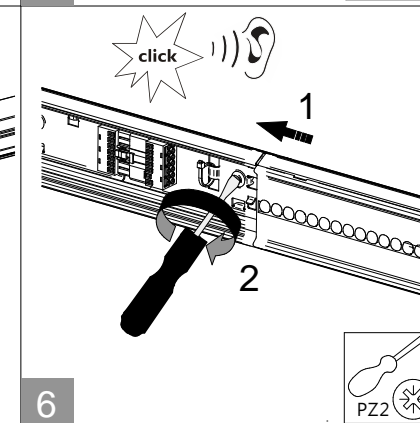
3



4

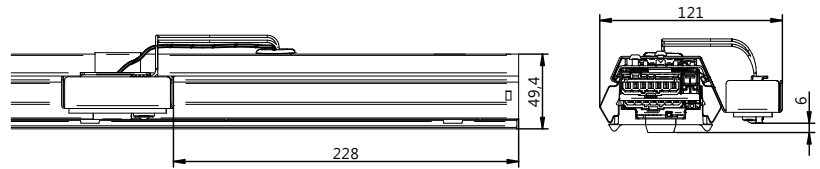
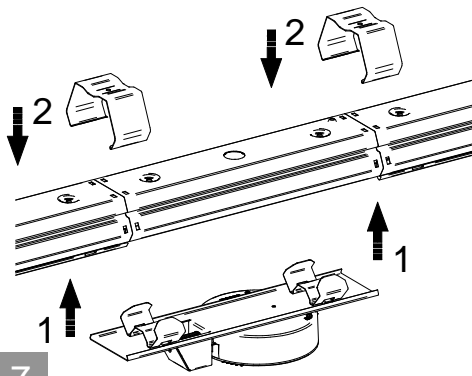


5

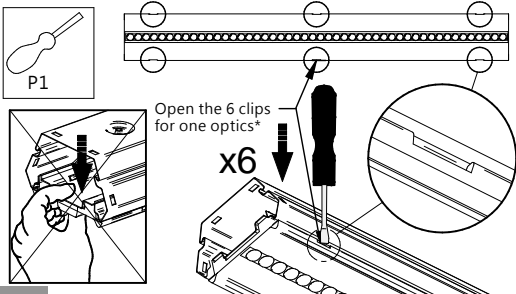


6

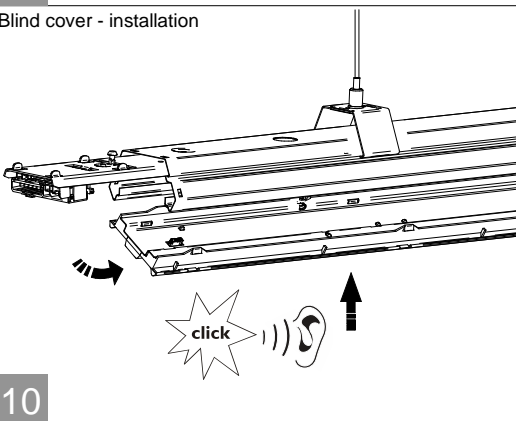
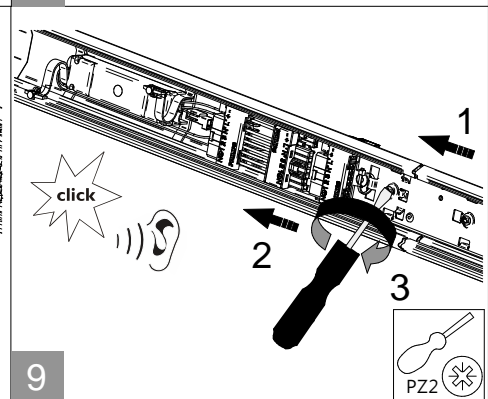
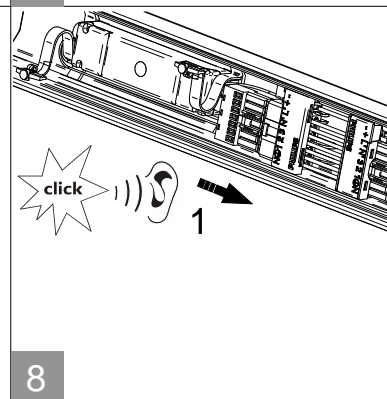
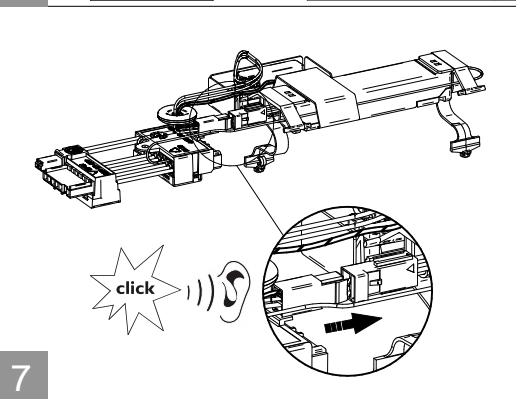
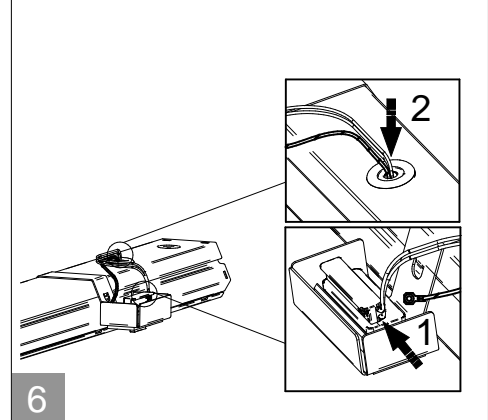
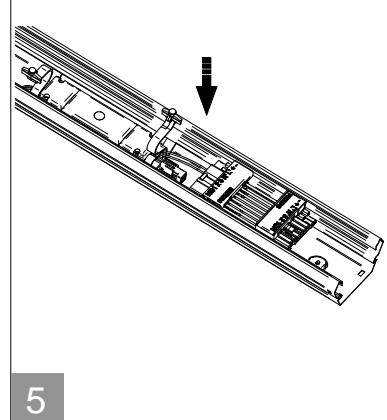
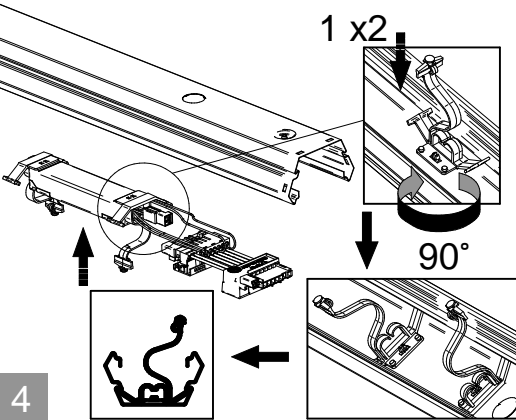
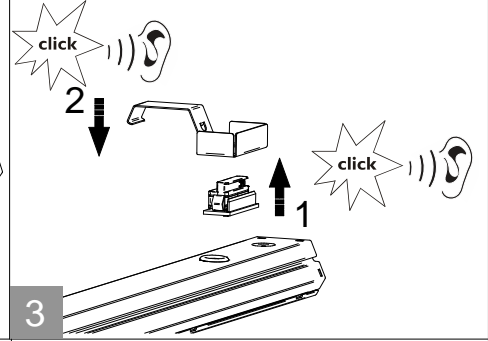
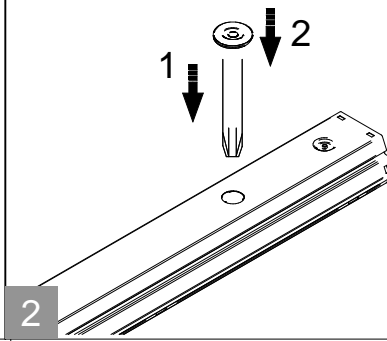
**LL200E WGC
LL200E BLE**



LL200E WGC	LL200E BLE
LL200E WGC 9 WH	LL200E BLE 9 WH
LL200E WGC 7x2.5 WH	LL200E BLE 7x2.5 WH

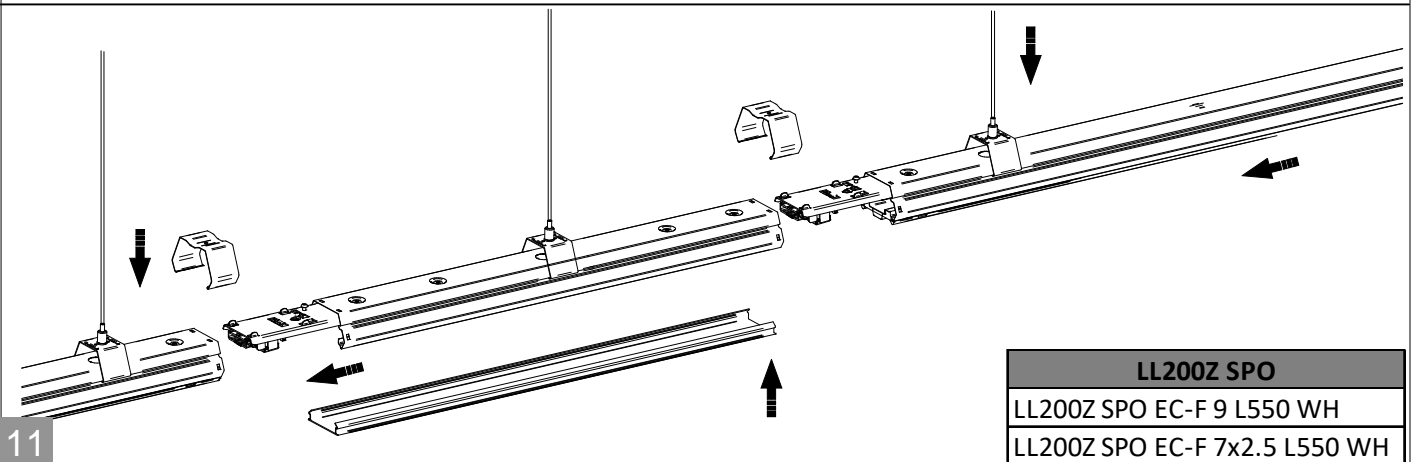
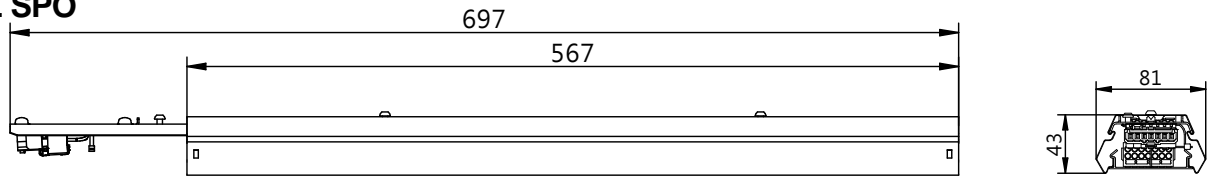


1 * Opening the luminaire requires disconnecting all catches in all optical systems



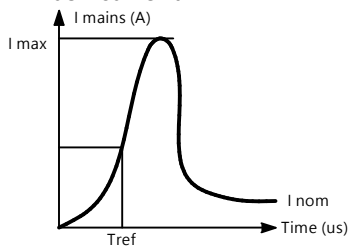
10

LL220Z SPO



11

Inrush current

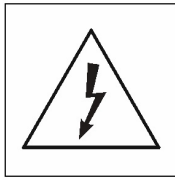
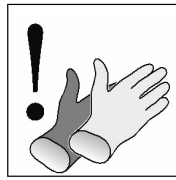


TYPE	535 1xPSU (36W)	305/455 1xSRD (35W)	905 2x SRD (35W)	305/455 1xPSD (35W)	905 2xPSD (35W)	305/455/635/805 1xPSD (60W)	905/1605 2xPSD (60W)	535/805 1xSRD (60W)	1605 2xSRD (60W)	455/805 1xPSU (75W)	905/1605 2xPSU (75W)	805/1205 1xPSU (100W)	2405 2xPSU (100W)	805/905/1205 1xPSD (100W)	2405 2xPSD (100W)	805/905/1205 1xSRD (100W)	2405 2xSRD (100W)	805/1205/1605 1xPSD (150W)	2405 2xPSD (150W)	1605 1xSRD (150W)
I _{max} [A]	14,0	21,0	42,0	23,1	46,2	25,1	50,2	21,0	42,0	19,0	38,0	22,5	45,0	10,0	20,0	4,5	9,0	5,1	10,2	5,1
T _{ref} [μs]	250	280	280	221	221	214	214	280	280	280	280	30	30	35,9	35,9	1000	1000	760	760	760
cable ø [mm ²]	1.5 / 2.5*																			
MCB B-6A	13/13	8/8	4/4	8/8	4/4	8/8	4/4	8/8	4/4	9/9	4/4	9/9	4/4	7/7	3/3	7/7	3/3	6/6	3/3	4/4
MCB B-10A	20/20	13/13	6/6	13/13	6/6	13/13	6/6	13/13	6/6	15/15	7/7	14/14	7/7	11/11	5/5	11/11	5/5	10/10	5/5	7/7
MCB C-10A	34/34	21/21	10/10	22/22	11/11	21/21	10/10	21/21	10/10	24/24	12/12	23/23	11/11	18/18	9/9	18/18	9/9	16/16	8/8	12/12
MCB B-13A	26/26	17/17	8/8	17/17	8/8	17/17	8/8	17/17	8/8	19/19	9/9	18/18	9/9	14/14	7/7	14/14	7/7	12/12	6/6	9/9
MCB C-13A	40/44	28/28	14/14	29/29	14/14	28/28	14/14	28/28	14/14	32/32	16/16	30/31	15/15	24/24	12/12	24/24	12/12	20/21	10/10	16/16
MCB B-16A	33/33	21/21	10/10	22/22	11/11	21/21	10/10	21/21	10/10	24/24	12/12	23/23	11/11	18/18	9/9	18/18	9/9	16/16	8/8	12/12
MCB C-16A	40/56	35/35	17/17	37/37	18/18	35/35	17/17	35/35	17/17	40/40	20/20	30/39	15/19	30/30	15/15	30/30	15/15	20/27	10/13	20/20

* Warning! The values on the left are for 1.5 mm thick cables, the values on the right are for 2.5 mm thick cables

Maintenance instructions

- To assure the lighting quality of this unique LED lighting concept there are a few instructions regarding the maintenance of this LED luminaire:
- Do not touch electronic components!
Electronic components are under high voltage.
Electronic components are ESD sensitive.
 - During installation or when maintaining the luminaire please use static free gloves to avoid marks on the luminaire.
 - To remove dirt and spots use the following:
Dust: only use micro fiber cloths
Fingerprints, etc.: use a cleaner for synthetic materials with antistatic properties.
 - Do not stare into the LED light beam.
 - To avoid scratches and dirt on optical parts remove protective foil after installation.
 - The luminaire shall be installed by a qualified electrician and wired in accordance with the latest IEE electrical regulations or the national requirements.
 - The light source of this luminaire is not replaceable: when the light source reaches its end of life whole luminaire shall be replaced.
 - Driver insulation: Basic according to IEC 61847-1.



ATTENTION
OBSERVE PRECAUTIONS
FOR HANDLING
ELECTROSTATIC
SENSITIVE
DEVICES