

PHILIPS

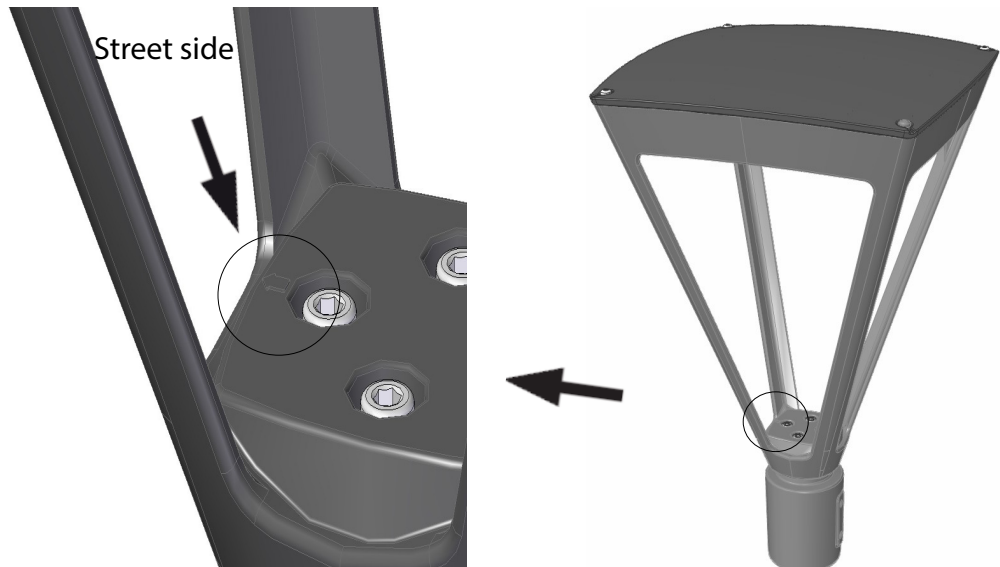
ClassicStreet

BDP/BPP/BSP/BVP794



led color	ledgine	LEDs	W +/-10%	lumen	⊕	□	m ²	kg
740	GRN100	144	78	10000	✓	✓	0,15	12,3kg
740	GRN90	144	70	9000	✓	✓	0,15	12,3kg
740	GRN 80	108	66	8000	✓	✓	0,15	12,3kg
740	GRN70	108	57	7000	✓	✓	0,15	12,3kg
740	GRN60	72	51	6000	✓	✓	0,15	12,3kg
740	GRN50	72	41	5000	✓	✓	0,15	12,3kg
740	GRN40	72	32	4000	✓	✓	0,15	12,3kg
740	GRN30	36	27	3000	✓	✓	0,15	12,3kg
740	GRN25	36	21	2500	✓	✓	0,15	12,3kg
740	GRN20	36	16	2000	✓	✓	0,15	12,3kg
740	GRN15	36	14	1500	✓	✓	0,15	12,3kg

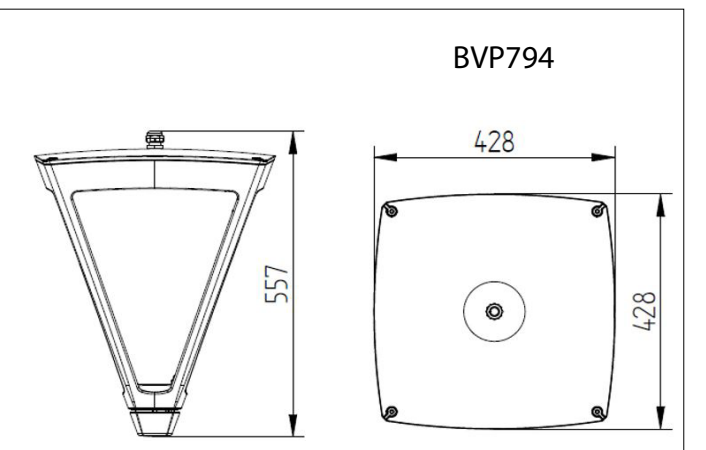
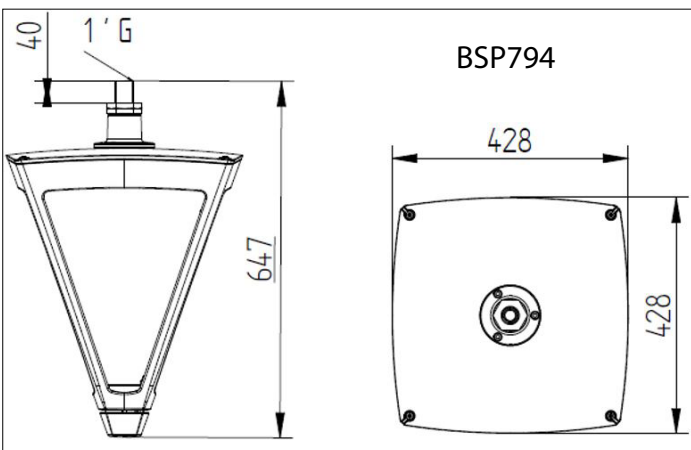
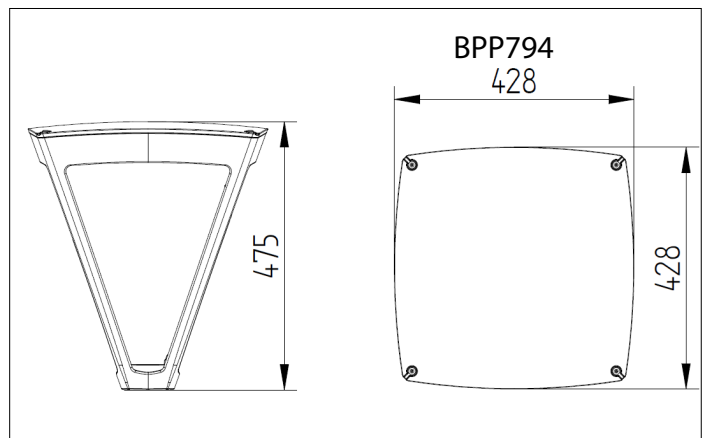
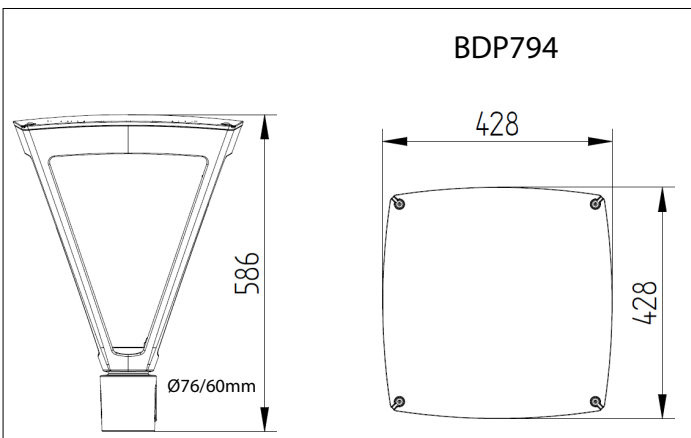
led color	ledgine	LEDs	W +/-10%	lumen	⊕	□	m ²	kg
830	GRN100	144	88	10000	✓	✓	0,15	12,3kg
830	GRN90	144	79	9000	✓	✓	0,15	12,3kg
830	GRN80	108	74	8000	✓	✓	0,15	12,3kg
830	GRN70	108	64	7000	✓	✓	0,15	12,3kg
830	GRN60	72	57	6000	✓	✓	0,15	12,3kg
830	GRN50	72	46	5000	✓	✓	0,15	12,3kg
830	GRN40	72	36	4000	✓	✓	0,15	12,3kg
830	GRN30	36	31	3000	✓	✓	0,15	12,3kg
830	GRN25	36	24	2500	✓	✓	0,15	12,3kg
830	GRN20	36	19	2000	✓	✓	0,15	12,3kg
830	GRN15	36	14	1500	✓	✓	0,15	12,3kg



This luminaire must be installed only by qualified personnel

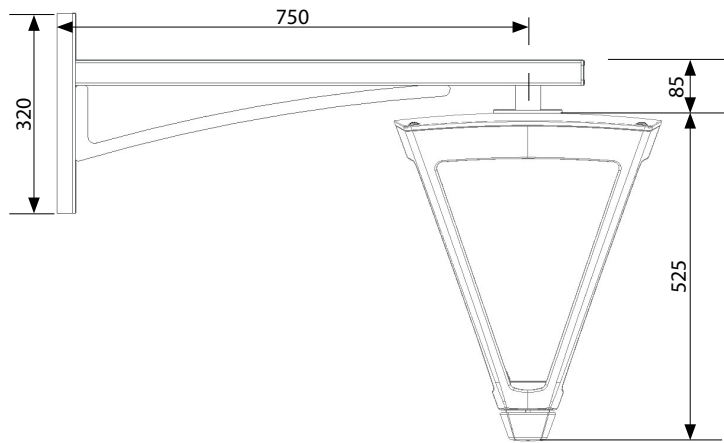


Disconnect before servicing

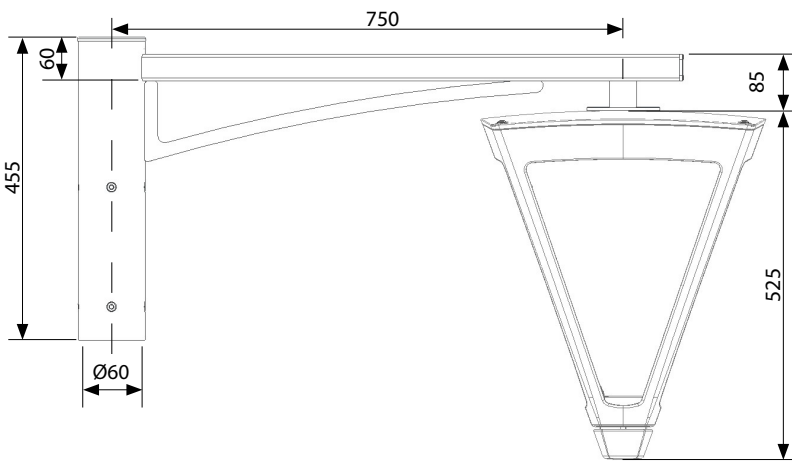




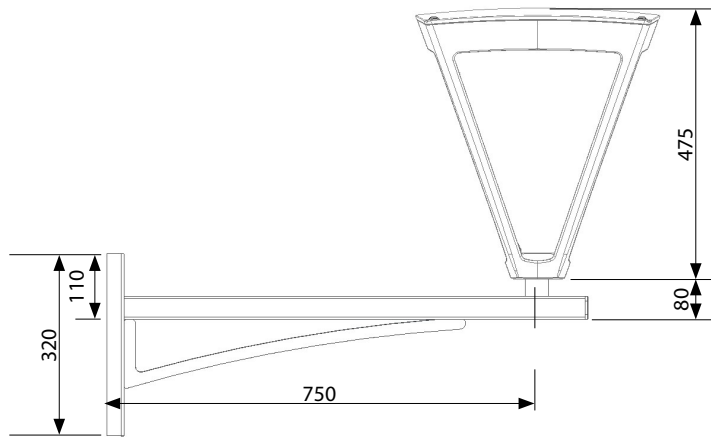
ClassicStreet dedicated brackets



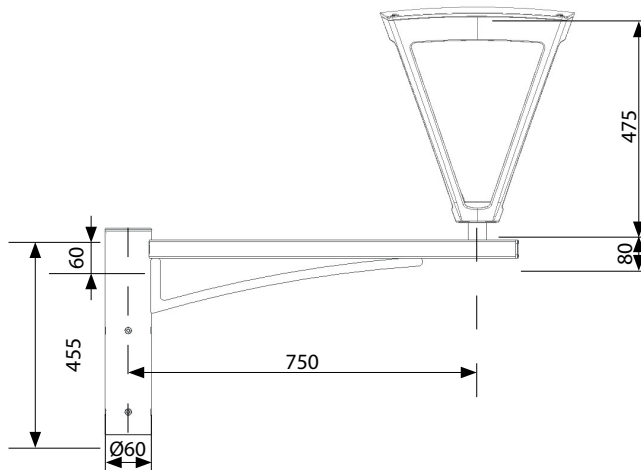
BVP794 + JGB794 MBW 750



BVP794 + JGB794MBP-S 750 60



BPP794 + JGB795 MBW 750



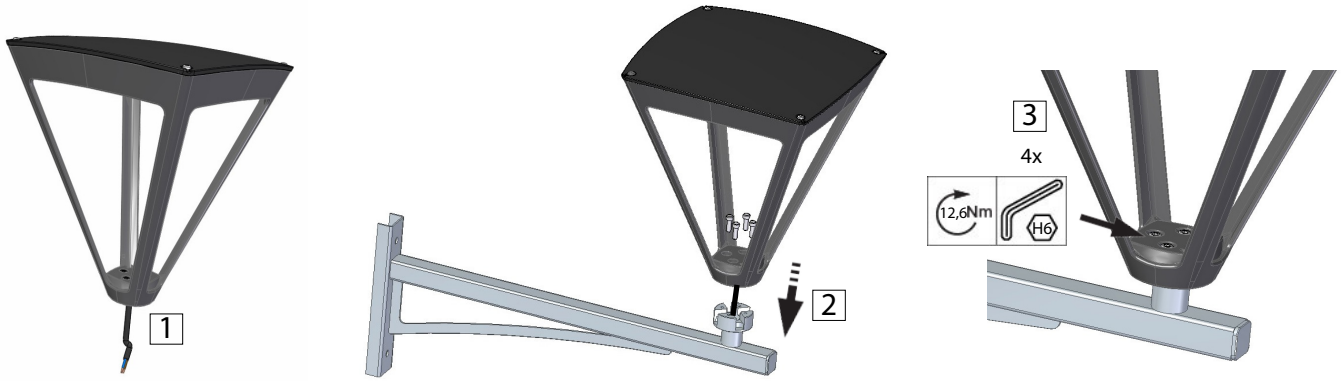
BPP794 + JGB795 MBP-S 750-60



Column/bracket mounting

2a

BPP794



BDP794

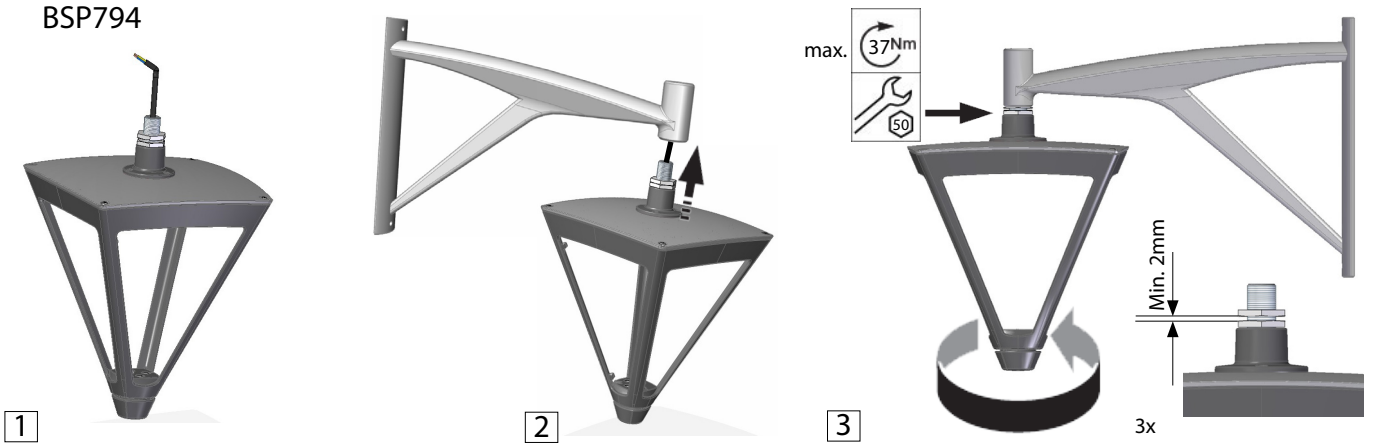


1a

Suspended mounting

2b

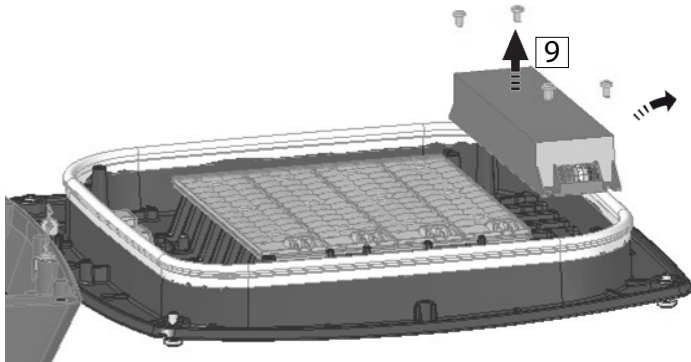
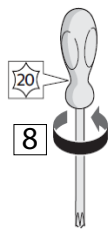
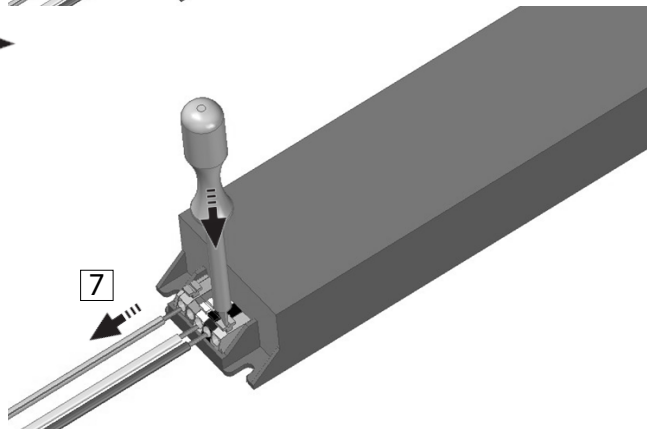
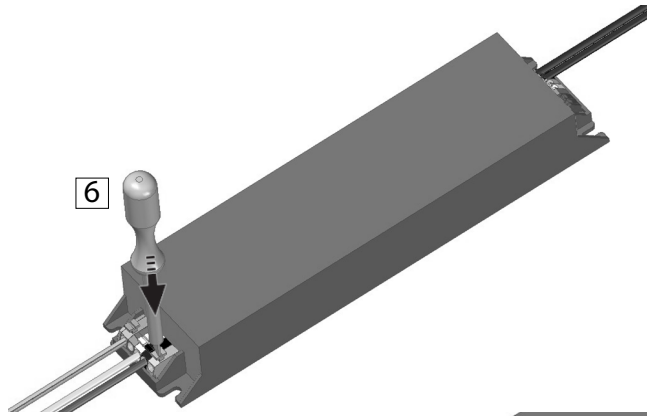
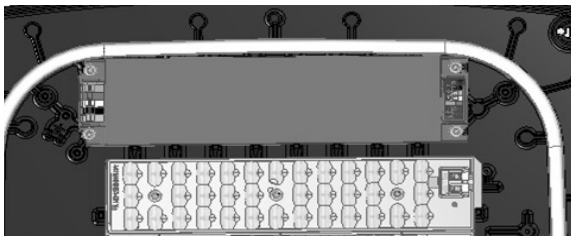
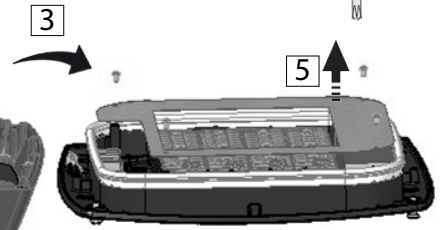
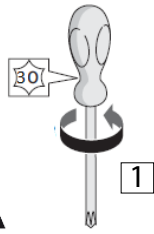
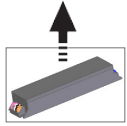
BSP794

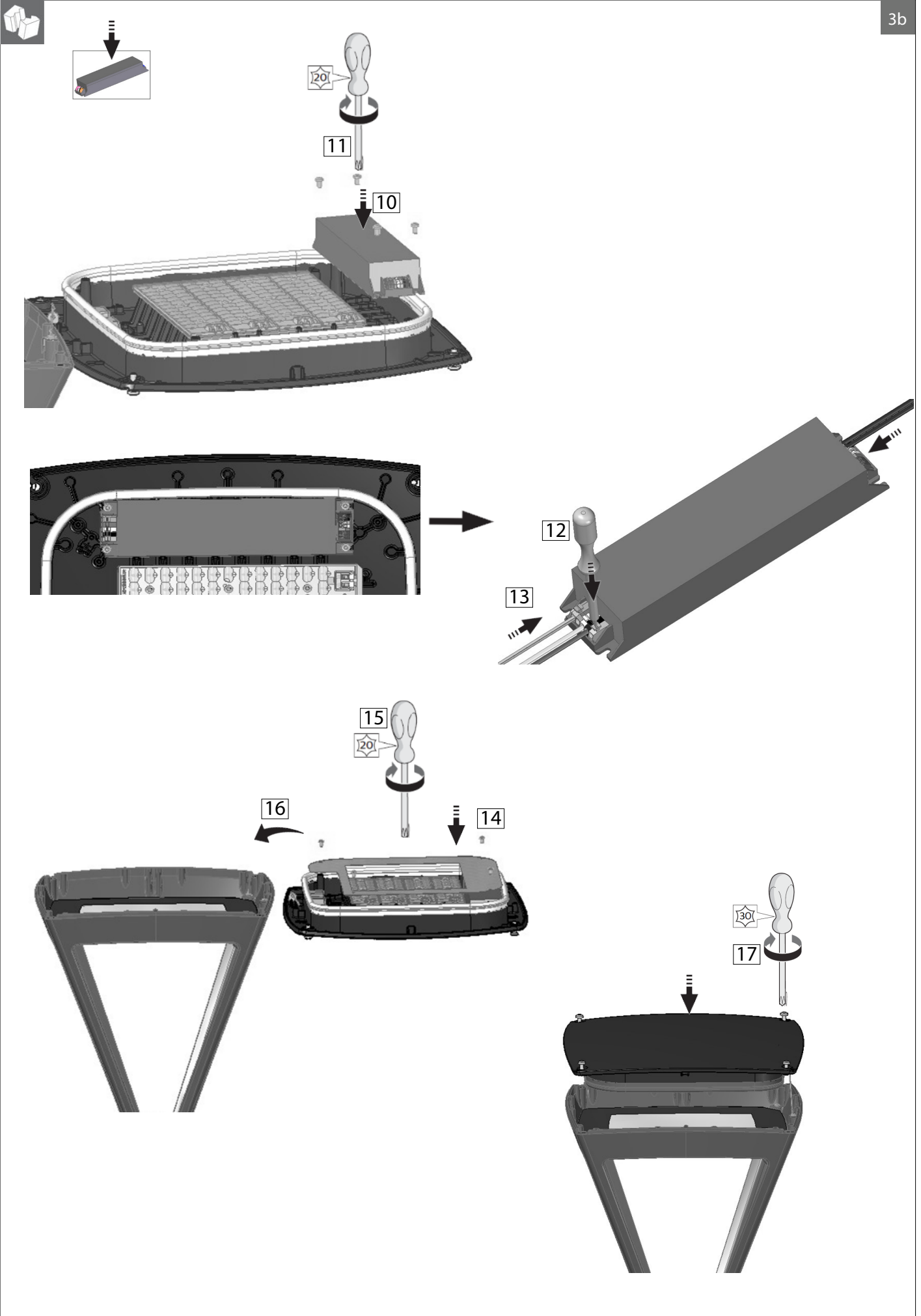


BVP794

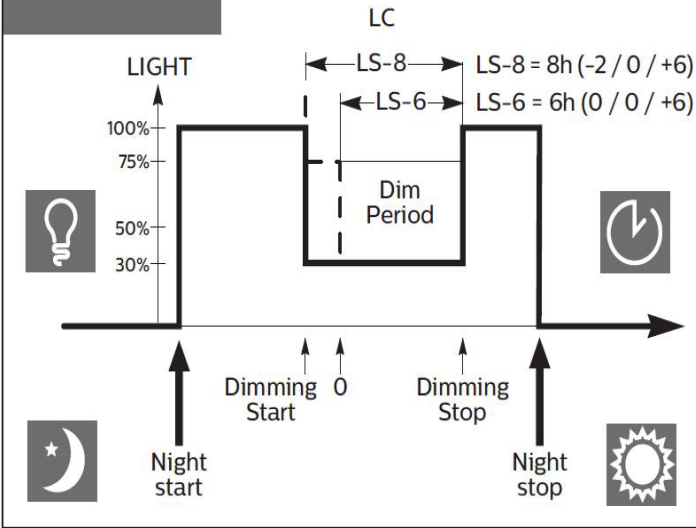


1b

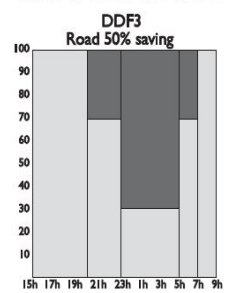
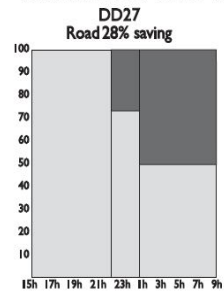
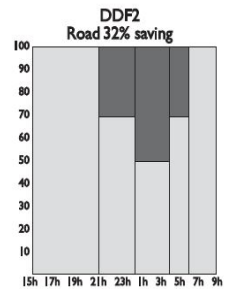
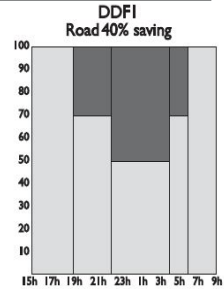




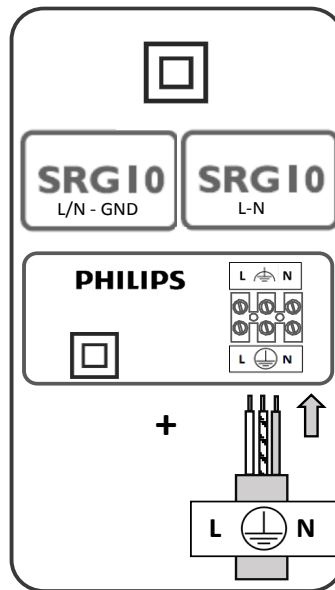
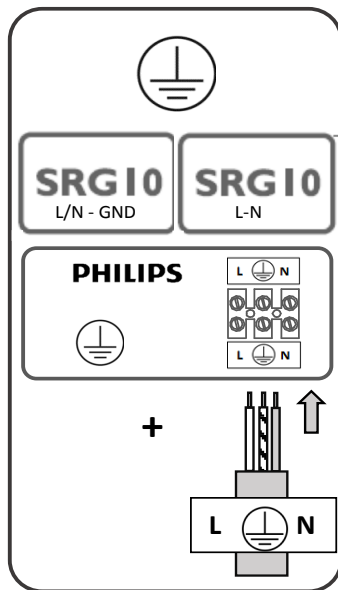
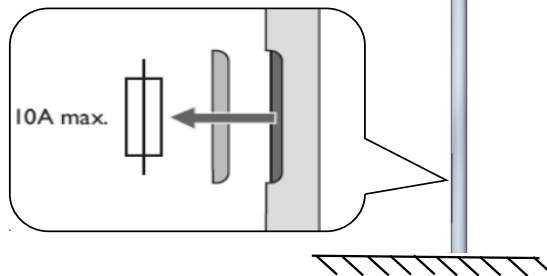
LUMISTEP



DYNADIMMER



SRG10





© 2016 Philips Lighting Holding B.V.

All rights reserved. Reproduction in whole or in part is prohibited without consent of the copyright owner.

The information presented in this document does not form part of any quotation or contract. It is believed to be accurate and reliable and may be changed without notice. No liability will be accepted by the publisher for any consequence of its use. Publication thereof does not convey nor imply any license under patent or other industrial or intellectual property rights.

Philips Lighting Holding B.V.
The Netherlands