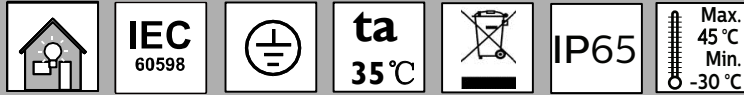


Coreline Highbay

BY120P/BY121P/BY122P

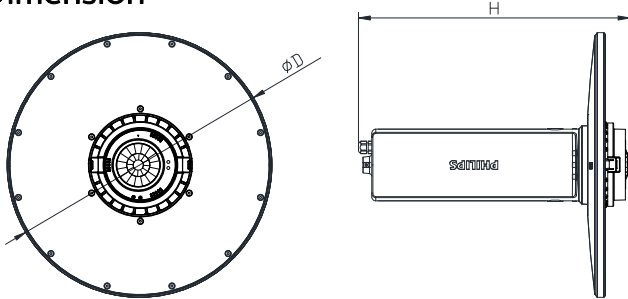
Mounting instruction

44410009332



Type Desc	Power.(W)	Voltage/Frequency	D (mm)	H (mm)	kg	Optics
BY120P G4 LED100S/840 SRD SNHR200	73	220-240 V~ 50/60Hz	385	460	6	NB/WB
BY121P G4 LED200S/840 SRD SNHR200	145	220-240 V~ 50/60Hz	450	460	7.7	NB/WB
BY122P G4 LED250S/840 SRD SNHR200	183	220-240 V~ 50/60Hz	510	480	10	NB/WB

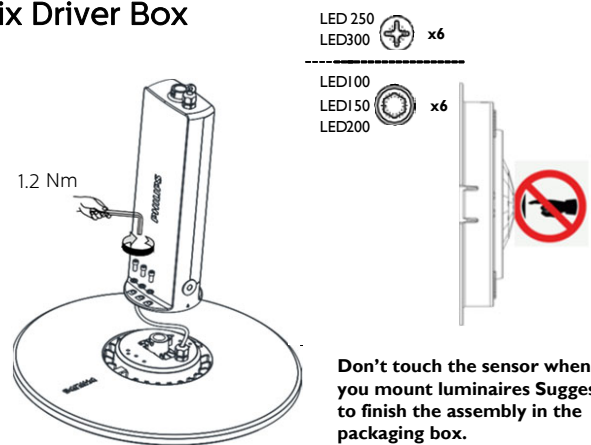
Dimension



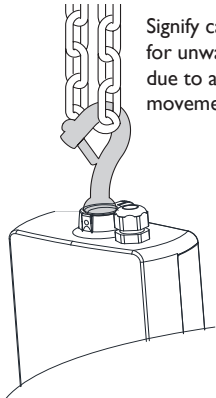
Mounting:

- Luminaire should be parallel to the floor, should not exceed $< 2^\circ$
- For communication between luminaires, this would allow a luminaire to luminaire distance to be greater than 10 meters.

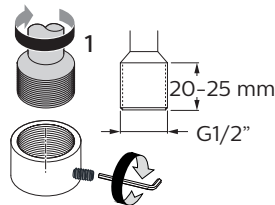
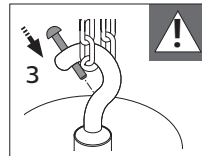
Fix Driver Box



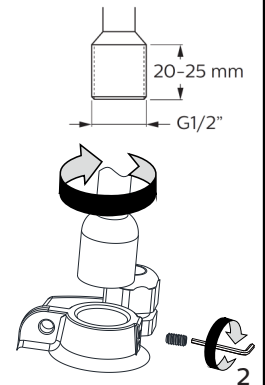
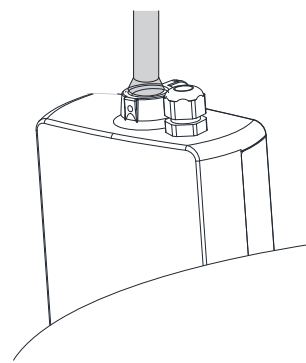
Hook Mounting



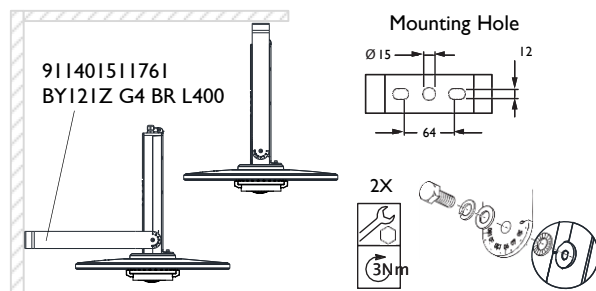
Signify cannot be held responsible for unwanted triggering of sensor, due to airflow or other luminaire movement



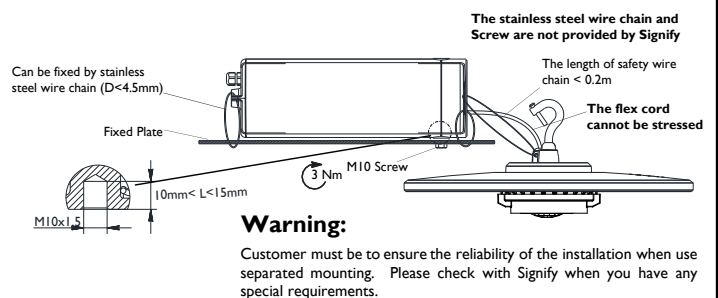
Pipe Mounting



Bracket Mounting



Separated Mounting



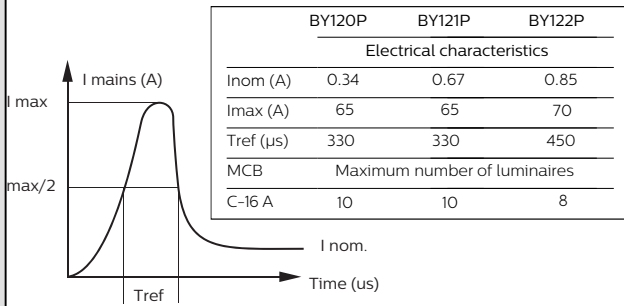
Signify (China) Investment Co., Ltd.
Address: Building 9 #, Lane 888, Tianlin Road, Minhang District, Shanghai City
Zip Code: 200233

PHILIPS

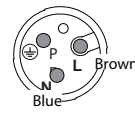
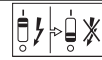
Philips and the Philips shield emblem are registered trademarks of Koninklijke Philips N.V.

07-02-2021 Approved

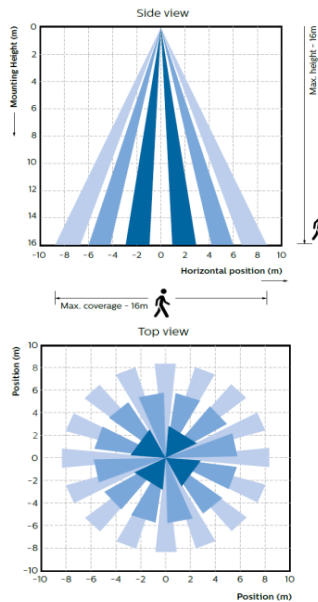
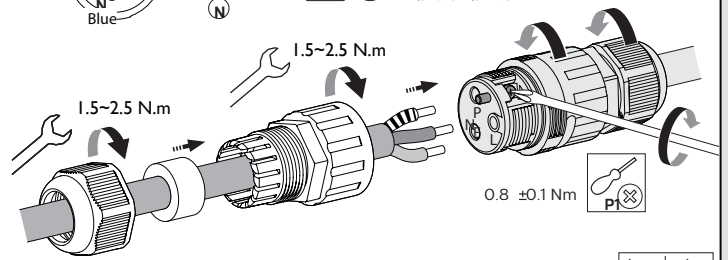
Inrush current



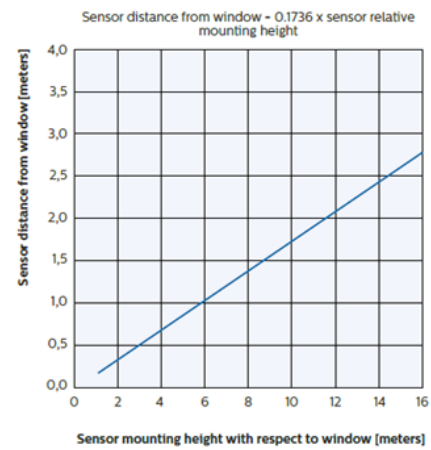
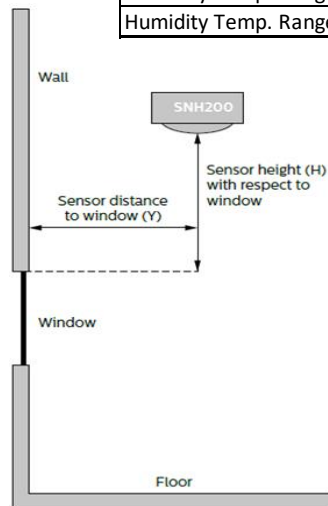
IAI



Cable: 60245IEC57 Min. 3x1.0 mm²
Max. 3x2,5 mm²
Ø 6.5-Ø 7.5 mm



Mounting Environment	Values			
Parameter	Min	Typ	Max	Unit
Humidity Temp. Range Operating	20		85	%
Humidity Temp. Range	10		95	%



Disclaimer:

- In these plots, the white areas are blind spots and the detection is based on subject's motion. An idle subject may not continue to trigger occupancy detection once the hold time expires.
- As PIR based sensing works on temperature difference between the subject and the ground level, the occupancy detection could vary due to clothing and size of subject.

Warning:

Place heat radiating devices outside of the monitoring cone. Avoid drafts (e.g. from ventilators or heating systems).

Light sensor:

The light sensor measures the total amount of light with an opening angle of 10°, all calculated from normal. The following aspects should be observed during installation: Minimum distance from the window - refer below graph. Prevent light reflections from outside entering the sensor (for example sunlight reflection from a car/truck bonnet) as this will lead to incorrect light regulation. As a guideline the formula $0.174 \times H$ can be used to calculate the minimum distance between the window and sensor whereby H is the height from the top of the window to the ceiling.

EN

Warning

- The luminaire shall be installed by a qualified electrician and wired in accordance with the latest IEE electrical regulations or the national requirements.
- Turn power off before inspection, installation or removal.
- Before using, external earthing is must required. Earthing is also must required in its whole life.
- The Luminaire must be used within the applicable product specifications, installation instructions and environmental conditions for storage & operations according to application guidelines provided by Signify for product Warranty to be valid.
- The corrosive atmosphere or hazardous materials such as sulfur, chlorine, phthalate, etc must be avoided during the use and storage.
- The manufacturer will not take responsibility caused by improper use or self-modifications of the product.

Power Connection

- If the external flexible cable or cord of this luminaire is damaged. It shall be exclusively replaced by the manufacturer or his service agent or a similar qualified person in order to avoid a hazard.

Application

- For Indoor use only. This product is not suitable for cold storage areas where obvious temperature gradients are present, such as ventilation opening door, etc.
- The height between luminous surface and ground suggested be more than 5m; the height between bottom of luminaire and mounting surface must be more than 0.3m.
- Luminaire don't have any evaluation on additional protection measures to prevent luminaire from high-altitude falling and windproof structure, can't be used as flood and tunnel luminaire.
- Not suitable for use in harsh vibration and often causing vibration or swinging environment. Also, not suitable for area prone to hurricane and extreme winds.
- If customer require the luminous surface levelness < 1°, the pipe mounting method is recommended, and suggest to use gradi enter to precisely measure and adjust.

Maintenance

- Periodic cleaning of the luminaire optical lens cover will ensure maximum optical efficiency. Luminaire shall be cleaned with a dry soft cloth only.
- The light source contained in this luminaire shall only be replaced by the manufacturer or his service agent or a similar qualified person.



This marking indicates that this product should not be disposed with other household wastes throughout the EU. To prevent possible harm to the environment or human health from uncontrolled waste disposal, recycle it responsibly to promote the sustainable reuse of material resources. To return your used device, please use the return and collection systems or contact the retailer where the product was purchased. They can take this product for environmental safe recycling.



GB - Disconnect before servicing FR - Mettre hors tension avant intervention DE - Öffnen nur spannungsfrei NL - Stroom afsluiten voor onderhoud LT - Pirms apkopes atvienojiet no elektrības EE - Katkestada elektritoidede enne valgusti hooldustremontii PT - Desconecte antes de fazer a manutenção	DK - Frakobl, før service NO - Koble fra før service FI - Irrota pistoke ennen huolto CZ - Před servisem se odpojíte TR - Servis yapmadan önce bağılantıyı kesin HR - Prije servisiranja isključite GR - Αποσυνδέστε πριν από τη συντήρηση BG - Изключете преди сервис RU - Отключите перед обслуживанием LV - Pirms apkopes atvienojiet to	IT - Togliere tensione prima di fare manutenzione ES - Desconectar antes de manipular SE - Bryt strömmen före lampbytte SK - Odpojit' pred údržbou SI - Pred servisiranjem izključite svetilko HU - Karbantartás előtt húzza ki a csatlakozót PL - Odłącz przed serwisowaniem RO - Deconectați-vă înainte de întreținere
--	--	---

GB	Luminaire has basic insulation between Low Voltage supply and control conductors.	SE	Armaturen har enkelisolerung mellan lågvoltförsörjningen och styrledningarna.	GR	Το φωτιστικό διαθέτει βασική μόνωση μεταξύ της χαμηλής τάσης τροφοδοσίας και των αγωγών ελέγχου.
ES	La luminaria tiene un aislamiento básico entre la alimentación de baja tensión y los cables de la señal de control.	NO	Armaturet har enkelisolerung mellom lavvoltforsyningen og styrledningene.	CZ	Ve svítidle je mezi vodiči napájení a řízení základní izolace.
PT	A luminária tem um isolamento básico entre a alimentação de baixa tensão e os cabos de sinal de controlo.	FI	Valaisimessa on peruseristys syöttöjännitteen ja ohjausohjelmien välillä.	TR	Armatur, Alçak Gerilim beslemesi ile kontrol ilektenleri arasında temel izolasyona sahiptir
DE	Die Leuchte verfügt über eine einfachen Isolation zwischen der Niederspannungsversorgung und den Steuerleitungen .	HU	A lámpatest kieszfűltésű és szabályozó bemenetel galvanikusan el vannak választva.	SK	Svietidlo má základnú izoláciu medzi vodičmi zdroja nízkeho napätia a riadiacimi vodičmi.
FR	Le luminaire comporte une isolation de base entre l'alimentation basse tension et les câbles de contrôle.	RO	Corpul de iluminat dispune de izolație de bază între sistemul de alimentare de joasă și conductorii de control.	LT	Šviestuvas turi elementarią izoliaciją tarp žemos įtampos maitinimo ir valdymo laidų.
IT	Il grado di isolamento tra il conduttore di alimentazione ed il conduttore di segnale è básico.	BG	Осветителното тяло има основна изолация между захранването ниско напрежение и контролните проводници.	LV	Gaismeklīm ir pamata izolācija starp zemsprieguma barošanas un vadības aprīkojuma.
NL	Armatuur heeft een basisisolatie tussen laagspannings-voeding en controle bedrading.	RU	Светильник обладает базовой электроизоляцией между низковольтным блоком питания и управляющими проводниками.	EE	Valgustil on põhiisolatsioon madalpinge toite ja juhtimiseadmete vahel.
DK	Armaturet har enkelisolerung mellem lavvoltforsyningen og styrledningerne.	PL	Oprawa posiada podstawową izolację pomiędzy modulem zasilania niskonapięciowego i przewodami sterującymi.	SI	Svetilka ima osnovno izolacijo med nizkonapetostnimi napajalnimi in regulacijskimi vodniki.
GB	The light source and/or control gear and/or the external flexible cable contained in this luminaire shall only be replaced by the manufacturer or his service agent or a similar qualified person.	RO	Sursa de lumină și / sau aparatură și / sau cablul flexibil extern conținut în acest aparat de iluminat trebuie înlocuite numai de producător sau de agentul său de service sau de o persoană calificată similară.	HR	Svjetiljka ima osnovnu izolaciju između napajanja i upravljačkih konektora.
ES	La fuente de luz/o el driver / o el cable flexible contenido en la luminaria solo podrá ser sustituido por el fabricante o su agente de servicio o por una persona cualificada.	FI	Tässä valaisimessa oleva valonlähde ja/tai muut komponentit, kuten liitäntälaitte ja/tai ulkoiset kaapelit saadaan vaihtaa vain valmistajan tai tämän valtuuttaman huoltoedustajan tai vastaavan päteväen henkilön toimesta.	GR	Η φωτεινή πηγή ή/και τα όργανο έναυσης/ελέγχου ή/και το εξωτερικό καλώδιο που περιέχεται στο εν λόγω φωτιστικό πρέπει να αντικαθίστανται μόνο από τον κατασκευαστή ή τον αντιπρόσωπο σέρβις ή παρόμοιο ειδικευμένο πρόσωπο.
PT	A fonte de luz e/ou o equipamento de controlo e/ou o cabo externo flexível nesta luminária só devem ser substituídos pelo fabricante ou pelo seu agente de serviço ou por pessoa qualificada para tal.	TR	Bu armatürde bulunan ışık kaynağı ve / veya kontrol tertibatı ve / veya harici esnek kablo, yalnızca imalatçı veya onun servis temsilcisi veya benzer bir kalifiye kişi tarafından değiştirilmelidir.	BG	Източникът на светлина и / или пусково-регулируща апаратура и / или външният гъвкав кабел, съдържащ се в това осветително тяло, трябва да бъдат заменени само от производителя или неговия оторизиран сервис или подобно квалифицирано лице.
DE	Die in dieser Leuchte enthaltene Lichtquelle und/oder das Betriebsgerät und/oder das externe flexible Anschlusskable darf nur vom Hersteller oder seinem Kundendienst oder einer ähnlich qualifizierten Person ausgetauscht werden.	HR	Izvor svjetlosti i / ili predspojna naprava i / ili vanjski fleksibilni napojni kabel sadržan u ovoj svjetiljci smije zamijeniti samo proizvođač, ovlašten servis ili adekvatna stručno osposobljena i ovlaštena osoba.	RU	Источник света и / или ПРА и / или внешний гибкий кабель, содержащиеся в этом светильнике, могут быть заменены только производителем, его агентом по обслуживанию или аналогичным квалифицированным лицом.
FR	La source lumineuse et/ou le contrôleur de courant et/ou le câble souple d'alimentation contenus dans ce luminaire ne doivent être remplacés que par le fabriquant, un de ses agents ou une personne qualifiée.	GR	Η φωτεινή πηγή ή/και τα όργανο έναυσης/ελέγχου ή/και το εξωτερικό καλώδιο που περιέχεται στο εν λόγω φωτιστικό πρέπει να αντικαθίστανται μόνο από τον κατασκευαστή ή τον αντιπρόσωπο σέρβις ή παρόμοιο ειδικευμένο πρόσωπο.	SK	Svetelný zdroj a/alebo predradník a/alebo externý flexibilný kábel obsiahnutý v tomto svietidle môže byť vymenený len výrobcom alebo servisným partnerom alebo inou podobne kvalifikovanou osobou.
IT	La sorgente luminosa e/o il dispositivo di controllo e/o il cavo flessibile esterno contenuti in questo apparecchio di illuminazione sono sostituiti solo dal costruttore o dal suo agente di servizio o da una persona qualificata analoga.	GR	Η φωτεινή πηγή ή/και τα όργανο έναυσης/ελέγχου ή/και το εξωτερικό καλώδιο που περιέχεται στο εν λόγω φωτιστικό πρέπει να αντικαθίστανται μόνο από τον κατασκευαστή ή τον αντιπρόσωπο σέρβις ή παρόμοιο ειδικευμένο πρόσωπο.	LT	Šviesos šaltinis ir/arba valdymo įrenginys ir/arba išorinis lankstus kabelis esantis šiame šviestuve gali būti pakeistas tik gamintojo arba jo aptarnavimo agento ar tai atitinkancio kvalifikuoto asmens.
NL	De lichtbron en/of voorschakelapparatuur en/of de flexibele voedingskabel van dit armatuur mag alleen vervangen worden door de fabrikant of haar service dealer of een vergelijkbaar gekwalificeerd persoon.	RU	Источник света и / или ПРА и / или внешний гибкий кабель, содержащиеся в этом светильнике, могут быть заменены только производителем, его агентом по обслуживанию или аналогичным квалифицированным лицом.	LV	Gaismas avotu un / vai vadības ierīci un / vai ārējo elastīgo kabeli, kas atrodas šajā gaismeklī, drīkst nomainīt tikai ražotājs vai viņa servisa pārstāvis vai līdzīga kvalificēta persona.
DK	Lyskilden og/eller driver og/eller eksterne kabler indeholdt i dette armatur må kun udskiftes af producenten eller godkendt service partner eller lignende kvalificeret person.	SK	Svetelný zdroj a/alebo predradník a/alebo externý flexibilný kábel obsiahnutý v tomto svietidle môže byť vymenený len výrobcom alebo servisným partnerom alebo inou podobne kvalifikovanou osobou.	EE	Selles valgustis sisalduva valgusalilika ja/või juhtimiseadme ja/või välise painduva kaabli võib välja vahetada ainult tootja, vastav hooldusspetsialist või muu sarnane kvalifitseeritud isik.
SE	Ljuskällan och/eller styrsystemet och/eller den externa kabeln i denna armatur får endast bytas ut av tillverkaren eller en kvalificerad person.	LT	Šviesos šaltinis ir/arba valdymo įrenginys ir/arba išorinis lankstus kabelis esantis šiame šviestuve gali būti pakeistas tik gamintojo arba jo aptarnavimo agento ar tai atitinkancio kvalifikuoto asmens.	SI	Vir svetlobe in / ali napajalnik in / ali zunanji prilagodljivi kabel, ki ga vsebuje ta svetilka, lahko zamenja le proizvajalec ali njegov servis ali podobna usposobljena oseba.
NO	Lyskilden og/eller driveren og/eller den eksterne kabelen i dette armaturet skal bare erstattes av produsenten eller dens service agent eller tilsvarende kvalifisert person.	LV	Gaismas avotu un / vai vadības ierīci un / vai ārējo elastīgo kabeli, kas atrodas šajā gaismeklī, drīkst nomainīt tikai ražotājs vai viņa servisa pārstāvis vai līdzīga kvalificēta persona.		
CZ	Světelný zdroj a/nebo napájecí zdroj (předradník) a/nebo flexibilní napájecí kabel v tomto svítidle smí vyměňovat pouze výrobce nebo jeho servisní technik nebo obdobně kvalifikovaná osoba.	EE	Selles valgustis sisalduva valgusalilika ja/või juhtimiseadme ja/või välise painduva kaabli võib välja vahetada ainult tootja, vastav hooldusspetsialist või muu sarnane kvalifitseeritud isik.		
HU	A lámpatestben található fényforrást és/vagy működtető szerelvényt és/vagy a külső rugalmas kábel csak a gyártó, a gyártóval szerződött cég vagy megfelelő képesítéssel rendelkező szakember cserélheti ki.	SI	Vir svetlobe in / ali napajalnik in / ali zunanji prilagodljivi kabel, ki ga vsebuje ta svetilka, lahko zamenja le proizvajalec ali njegov servis ali podobna usposobljena oseba.		
PL	Źródło światła i/lub zasilacz i/lub zewnętrzny przewód zasilający, który jest w sprawie powinien być wymieniony przez producenta lub jego serwisanta lub kwalifikowany personel.				

- GB Storage, installation, use, operation and maintenance of the products needs to be performed exactly according the instructions in this manual and/or other instructions as may be provided by us to guarantee safe use of the product over its entire lifetime. Failure to adhere to these instructions will invalidate your entitlement to warranty. Bolts with indication of torque strength on the drawing need to be tightened using a calibrated torque wrench. Pre-assembled bolts need to be retightened again to the required torque specification to assure maximum strength over lifetime.
- ES El almacenamiento, instalación, uso, funcionamiento y mantenimiento de este producto debe realizarse exactamente según las instrucciones de este manual, así como otras instrucciones que le proporcionemos con el fin de garantizar un uso seguro del producto durante toda su vida útil. Si no se cumplen estas instrucciones, la garantía quedará anulada. Los tornillos con indicación de par de apriete en el dibujo, deben apretarse con una llave dinamométrica calibrada. Los tornillos del acoplamiento premontados deben reapretarse de nuevo con la especificación de par de apriete necesaria para garantizar una solidez máxima durante toda la vida útil de la luminaria.
- PT Para garantir uma utilização segura do produto durante a respetiva vida útil, o armazenamento, a instalação, a utilização, a operação e a manutenção dos produtos tem de ser efetuados exatamente de acordo com as instruções neste manual e/ou com outras instruções que possam ser fornecidas por nós. O incumprimento destas instruções irá invalidar o direito a garantia. Os parafusos com indicação do torque no esquema tem de ser apertados utilizando uma chave dinamométrica calibrada. Os parafusos pré-montados tem de ser novamente apertados de acordo com a especificação de torque necessário para garantir uma resistência máxima durante a vida útil.
- DE Lagerung, Installation, Verwendung, Betrieb und Wartung der Produkte müssen genau nach den Anweisungen in dieser Anleitung und/oder anderen von uns zur Verfügung gestellten Anweisungen erfolgen, um eine sichere Verwendung des Produkts über seine gesamte Lebensdauer zu gewährleisten. Bei Nichtbeachtung dieser Hinweise erlischt Ihr Anspruch auf Gewährleistung. Schrauben mit Angabe der Drehmomente auf der Zeichnung müssen mit einem kalibrierten Drehmomentschlüssel angezogen werden. Vormontierte Schrauben müssen mit dem angegebenen Drehmoment nachgezogen werden, um eine maximale Festigkeit über die gesamte Lebensdauer zu gewährleisten.
- FR Le stockage, l'installation, l'utilisation et la maintenance des produits doivent être effectués conformément aux instructions de ce manuel et / ou d'autres instructions que nous fournissons afin de garantir une utilisation sûre du produit pendant toute sa durée de vie. Le non-respect de ces instructions invalidera votre droit à la garantie. Les vis, dont les couples de serrage sont indiqués sur les schémas, doivent être serrées à l'aide d'une clé dynamométrique étalonnée. Les vis préassemblées doivent être resserrées à nouveau selon la spécification de couple de serrage requis afin d'assurer leur résistance maximale pendant toute leur durée de vie.
- IT Le stock, l'installazione, l'uso, il funzionamento e la manutenzione dei prodotti devono essere eseguiti esattamente in base alle istruzioni contenute nel presente manuale e / o in altra documentazione fornita da noi per garantire la sicurezza del prodotto per l'intera durata del suo utilizzo. La mancata osservanza di queste istruzioni annullerà la garanzia. I bulloni, con indicazione sull'intensità della coppia serraggio sul disegno devono essere serrati utilizzando una chiave dinamometrica calibrata. I bulloni pre-assemblati devono essere riserrati nuovamente secondo le specifiche di coppia richieste per assicurare la massima resistenza per tutta la durata.
- NL Om een veilig gebruik van dit product gedurende zijn hele levensduur te garanderen, dient het opslaan, installeren, gebruiken, bedienen en onderhouden ervan exact te worden uitgevoerd in overeenstemming met de instructies in deze handleiding en/of andere door ons geleverde instructies. Niet opvolgen van deze instructies maakt uw garantieaanspraken ongeldig. Bouten waarvan in de tekening het aanhaalkoppel is vermeld, dienen te worden vastgezet met behulp van een momentsleutel. Voorgeassembleerde bouten dienen opnieuw te worden aangehaald tot het vereiste koppel om maximale strekte gedurende de hele levensduur te waarborgen.
- DK Opbevaring, installation, brug, betjening og vedligeholdelse af produkterne må kun udføres ifølge instruktionerne i denne vejledning og/eller eventuelle øvrige instruktioner fra Signify for at garantere sikker brug af produktet i hele dets levetid. Hvis disse instruktioner ikke følges, bortfalder produktgarantien. Bolte/skruer med angivet spændingsmoment på tegningen skal spændes med en indstillet momentnøgle. Færdigsamlede bolte/skruer skal efterspændes i henhold til det specificerede moment for at sikre maksimal fastgørelse i hele produktets levetid.
- SE Förvaring, installation, användning, drift och underhall av produkterna måste utföras enligt instruktionerna i denna handbok och/eller andra instruktioner som kan tillhandahållas av oss för att garantera säker användning. Om instruktioner inte följs frångår man produktgarantin. Skruvar där vridmoment anges på ritningen måste dras åt med en kalibrerad skiftnyckel. Förmonterade skruvar måste dras åt igen med angivet vridmoment för att säkerställa högsta styrka under livslängden.
- NO Oppbevaring, montering, bruk, drift og vedlikehold av produktene må utføres nøyaktig i samsvar med instruksjonene i denne handboken og/eller andre instruksjoner vi måtte gi for a garantere sikker bruk av produktet i hele dets levetid. Hvis instruksjonene ikke følges, bortfaller garantien. Bolter med angivelse av dreiemoment på tegningen må strammes med en kalibrert momentnøkkel. Ferdigmonterte bolter må strammes på nytt til pakrevd dreiemoment for a sikre maksimal styrke i hele produktets levetid.
- FI Tuotteiden asennuksessa, käytössä ja huollossa on noudatettava tarkoin tässä käyttöoppaassa tai muissa toimittamissamme ohjemateriaaleissa annettuja ohjeita. Tämä varmistaa tuotteen turvallisen toiminnan koko sen käyttöiän ajan. Näiden ohjeiden noudattamatta jättäminen mitätöi kaikki oikeutesi takuukorvauksiin. Pullit, jolle on asennusohjeessa ilmoitettu tietty kiristystiukkuus, on kiristettävä kalibroidulla momenttiavaimella. Esiasennetut pullit on kiristettävä ilmoitettuun kiristystiukkuuteen koko käyttöiän mittaisen kestävyuden varmistamiseksi.
- HU A terméknek tárolását, telepítését, használatát, üzemeltetését és karbantartását pontosan a jelen kézikönyvben és / vagy az általunk biztosított egyéb utasításoknak megfelelően kell elvégezni, hogy garantáljuk a termék biztonságos használatát az élettartama alatt. Ezen utasítások be nem tartása érvényteleníti a jótállási jogát. A rajzon a nyomaték-erősséggel jelzett csavarokat meg kell húzni egy kalibrált nyomatékkulccsal. Az előre összeszerelt csavarokat újra meg kell húzni a szükséges nyomaték specifikációhoz, hogy biztosítsák a maximális szilárdságot az élettartam során.
- PL Przechowywanie, instalacja, użytkowanie, obsługa i konserwacja produktów musi odbywać się ściśle według wytycznych zawartych w niniejszej instrukcji i / lub w innych instrukcjach, które dołączamy aby zagwarantować bezpieczne użytkowanie produktu przez cały okres eksploatacji. Nieprzestrzeganie tych instrukcji może spowodować utratę prawa do gwarancji. Śruby, przedstawione na rysunku wskazującym siłę momentu dokręcania, muszą być dokręcone za pomocą kalibrowanego klucza dynamometrycznego. Aby zapewnić maksymalną wytrzymałość w całym okresie użytkowania, wstępnie zamontowane śruby należy dokręcić zgodnie z wymaganą specyfikacją momentu dokręcania.
- RO Depozitarea, instalarea, utilizarea, operarea și întreținerea produselor trebuie să fie efectuate exact în conformitate cu instrucțiunile din acest manual și/sau cu alte instrucțiuni care pot fi furnizate de noi pentru a garanta utilizarea în siguranță a produsului, pe întreaga durată de viașă a acestuia. Nerespectarea acestor instrucțiuni vă va anula dreptul la garanție. Șuruburile care au cuplul de strângere indicat pe desen, trebuie să fie strânse cu ajutorul unei chei dinamometrice calibrate. Șuruburile preasamblate trebuie să fie strânse din nou la specificația de cuplu cerută, pentru a asigura rezistența maximă pe întreaga durată de viașă.
- CZ Při uchování, montáži, používání a údržbě produktů je třeba postupovat přesně podle pokynů v této příručce a dalších našich případných pokynů, které zajišťují bezpečné používání produktů po celou dobu jejich životnosti. Když tyto pokyny dodržovat nebudete, přijdete o záruku. Šrouby, které mají na výkresu uveden utahovací moment, je třeba utahovat zkalibrovaným momentovým klíčem. Předem namontované šrouby je třeba dotáhnout požadovaným momentem, aby po dobu životnosti produktu držely na místě.

- TR Ürünlerin saklanması, kurulumu, kullanımı, çalıştırılması ve bakımı, ürünün kullanım ömrü boyunca güvenli kullanımının sağlanması amacıyla tam olarak bu kılavuzdaki ve / veya tarafımızdan sağlanan diğer talimatlara uygun biçimde gerçekleştirilmelidir. Söz konusu talimatlara uyulmaması, ürüne ilgili garanti hakkınızı geçersiz kılar. Teknik çizimde yanında sikkma torku değeri belirtilen civatalar kalibre edilmiş bir tork anahtarı kullanılarak sıkılmalıdır. Önceden takılmış olarak gelen civataların da belirtilen tork değerine uygun biçimde yeniden sıkılması, kullanım ömrü boyunca maksimum dayanıklılığın sağlanması açısından önemlidir.
- BG Съхранението, инсталирането, употребата, експлоатацията и поддръжката на продуктите трябва да се извършват точно в съответствие с указанията в това ръководство и / или други инструкции, които могат да бъдат предоставени от нас, за да се гарантира безопасна употреба на продукта през целия му експлоатационен живот. Неспазването на тези указания ще обезсили Ващото право на гаранция. Болтовете с индикация за силата на въртящия момент на чертежа трябва да бъдат затегнати с помощта на калибриран гаечен ключ. Предварително сглобените болтове трябва да бъдат отново затегнати до изискваната спецификация на въртящия момент, за да осигурят максимална якост по време на експлоатационния живот.
- GR Η αποθήκευση, η εγκατάσταση, η χρήση, η λειτουργία και η συντήρηση των προϊόντων πρέπει να γίνεται ακριβώς σύμφωνα με τις οδηγίες του παρόντος εγχειριδίου ή / και τις άλλες οδηγίες που ενδεχομένως να παρασχεθούν, προκειμένου να είναι εγγυημένη η ασφαλής χρήση του προϊόντος για ολόκληρη τη διάρκεια ζωής του. Η μη εφαρμογή αυτών των οδηγιών θα ακυρώσει τα δικαιώματά σας στο πλαίσιο της εγγύησης. Οι βίδες με ένδειξη τιμής ροπής σύσφιξης στο σχέδιο θα πρέπει να σφίχτούν με τη χρήση ενός βαθμονομημένου ροπαόκλειδου. Οι προ-συναρμολογημένες βίδες πρέπει να σφίχθούν και πάλι με την απαιτούμενη τιμή ροπής σύσφιξης, προκειμένου να διασφαλιστεί η μέγιστη ισχύς σε όλη τη διάρκεια ζωής.
- RU Чтобы гарантировать безопасное использование этого изделия на протяжении всего соответствующего срока службы, его хранение, установку, использование, эксплуатацию и обслуживание необходимо осуществлять в точном соответствии с приведенными в настоящем руководстве инструкциями и (или) иным инструкциями, которые могут быть предоставлены нами. Несоблюдение этих инструкций приведет к потере прав на гарантию. Болты, для которых на чертеже указан крутящий момент, необходимо затягивать калиброванным динамометрическим ключом. Для обеспечения максимальной прочности изделия в течение всего срока службы болты, завинченные в ходе предварительной сборки, необходимо подтянуть до указанного момента.
- SK Uskladnenie, inštalácia, používanie a údržba produktov je potrebné postupovať presne podľa pokynov v manuáli a/alebo iných nami poskytnutých pokynov, ktoré zaisťujú bezpečné používanie produktu počas celej doby životnosti. Nedodržaním týchto pokynov sa ruší záruka. Skrutky s naznačenou silou utiahnutia, musia byť utiahované kalibrovaným momentovým kľúčom. Vopred namontované skrutky musia byť znovu utiahnuté podľa požadovanej špecifikácie, aby komponenty držali na mieste počas celej životnosti.
- HR Pohranjivanje, instaliranje, uporaba, korištenje i održavanje proizvoda treba se vršiti točno u skladu s uputama u ovom priručniku i/ili s drugim uputama osiguranim s naše strane kako bi se jamčila sigurna uporaba proizvoda kroz cijeli radni vijek. Nepoštivanje ovih uputa poništava vaše pravo na jamstvo. Vijci s indiciranim momentom zatezanja na nacrtu trebaju biti učvršćeni korištenjem zateznog alata s kalibriranim momentom zatezanja. Također i već učvršćeni vijci trebaju biti dotezani do specificiranog zateznog momenta kako bi se osigurala učvršćenost tijekom cijelog radnog vijeka.
- LT Produktų saugojimas, montavimas, naudojimas, eksploatavimas ir priežiūra turi būti atlikti tiksliai pagal instrukcijas, pateiktas šiame vadove ir (arba) kitas instrukcijas, kurias mes galime pateikti, kad garantuotume saugų gaminio naudojimą per visą jo eksploatavimo laiką. Jei nesilaikysite šių instrukcijų nurodymų bei reikalavimų, jūsų teisė į garantiją bus panaikinta ir nebegalios. Varžtai, nurodantys sukimo momento stiprumą brėžinyje, turi būti užveržti naudojant kalibruotą sukimo momento veržliaraktį. Iš anksto sumontuotus varžtus reikia vėl priveržti iki reikiamo sukimo momento, kad būtų užtikrintas maksimalus tvirtumas per visą eksploatavimo laiką.
- LV Izstrādājumu uzglabāšana, uzstādīšana, lietošana un apkope jāveic precīzi saskaņā ar šajā rokasgrāmatā sniegtajām instrukcijām un / vai citām instrukcijām, kuras mēs varam piedāvāt, lai garantētu produkta drošu lietošanu visā tā darbības laikā. Neievērojot šos norādījumus, jūsu tiesības uz garantiju tiek anulētas. Bulskrūves ar norādi uz griezes stiprumu zīmējumos jābūt pieskrūvētām izmantojot kalibrētu griezes atslēgu. Iepriekš samontētās skrūves ir atkal jāpievelk līdz vajadzīgajai griezes specifikācijai, lai nodrošinātu maksimālu pieguli visā ekspluatācijas laikā.
- EE Toodete ladustamine, paigaldamine, kasutamine, käitamine ja hooldus tuleb läbi viia täpselt vastavalt selle juhendi juhistele ja/või muudele meie poolt pakutavatele juhistele, et tagada toote ohutu kasutamine kogu selle toote eluaja jooksul. Nende juhiste mittejärgimine kaotab teie õiguse garantiile. Poldid, millel on joonisel toodud pöördemomendi tugevus, tuleb pingutada kalibreeritud pöördemoment multriivõlme abil. Eelnevalt kinnitatud poldid tuleb uuesti pingutada vastavalt nõutavale pöördemomendi spetsifikatsioonile, et tagada maksimaalne kinnituse tugevus kogu eluea jooksul.
- SI Skladiščenje, namestitve, uporaba, delovanje in vzdrževanje izdelkov mora biti natančno izvedeno v skladu z navodili v tem priločniku in / ali drugimi navodili za zagotovitev varne uporabe izdelka skozi celotno življenjsko dobo. V primeru neupoštevanja teh navodil, se lahko razveljavi pravica do garancije. Vijake, ki imajo označen navor, je potrebno zategniti s kalibriranim navornim ključem. Vijake, ki so že sestavljeni, je potrebno znova priviti v skladu z zahtevanim navorom, da je zagotovljena maksimalna moč skozi življenjsko dobo.
-
- GB This product contains a light source of energy efficiency class: D RO Acest produs contine o sursă de lumină cu clasa de eficiență energetică: D
- ES Este producto contiene una fuente luminosa de la clase de eficiencia energética: D CZ Tento výrobek obsahuje světelný zdroj s třídou energetické účinnosti: D
- PT Este produto contém uma fonte de luz da classe de eficiência energética: D FI Tämä tuote sisältää valonlähteen, jonka energiatehokkuusluokka on: D
- DE Dieses Produkt enthält eine Lichtquelle der Energieeffizienzklasse: D SE This Denna produkt innehåller en ljuskälla med energieffektivitetsklass: D
- FR Ce produit conti nt une source lumineuse de classe d'efficacité énergétique: D HU Ez a termék egy energiatékonyosági osztályú fényforrást tartalmaz: D
- IT Questo prodotto contiene una sorgente luminosa di classe di efficienza energetica: D SK Tento výrobok obsahuje svetelný zdroj triedy energetickej účinnosti: D
- NL Dit product bevat een lichtbron van energie-efficiëntieklasse: D HR Ovai proizvod sadržava izvor svjetlosti klase enemetske učinkovitosti: D
- DK Dette produkt indeholder en lyskilde i energieffektivitetsklasse: D LV Šis ražojums satur gaismas avotu, kura energoefektivitātes klase ir: D
- LT Šiame gaminyje yra šviesos šaltinis, kurio energijos vartojimo efektyvumo klasė: D EE Toode sisaldab energiatõhususe klassi valgusallikat: D
- GR Το προϊόν αυτό περιέχει φωτεινή πηγή της τάξης ενεργειακής απόδοσης: D BG Този продукт включва светлинен източник с клас на енергийна ефективност: D
- PL Ten produkt zawiera źródło światła o klasie efektywności energetycznej: D SI Ta izdelek vsebuje svetlobni vir razreda energijske učinkovitosti: D

- GB Zhaga-D4i and SR certified compatibility** - For Zhaga-D4i/SR-Certified based luminaires only Zhaga-D4i/SR-Certified components/sensors are to be used (see also: <https://www.zhagastandard.org/products/> / <https://www.lighting.philips.co.uk/oem-emea/products/driving-connected-lighting>). The functional compatibility of two SR-certified and/or Zhaga-D4i controllers/sensors to be used in combination, as well as the override possibility of any line-switch function used in an SR-based/Zhaga-D4i luminaire, is to be released by the master controller/sensor supplier. If using a NEMA 7-pin socket on an SR-based luminaire, a full system verification is required. Not following this advice can/will cause risk of damage and non-compliance for which Signify cannot take any responsibility.
- ES Zhaga-D4 y certificación de compatibilidad con SR** - Para las luminarias certificadas Zhaga-D4i/SR, solo deben utilizarse controladores/sensores con certificación Zhaga-D4i/SR (vease también: <https://www.zhagastandard.org/products/> / <https://www.lighting.philips.co.uk/oem-emea/products/driving-connected-lighting>). La compatibilidad funcional de 2 controladores/sensores y/o Zhaga-D4i (con certificación SR) que vayan a utilizarse en combinación, así como la posibilidad de anulación de cualquier función lineswitch utilizada en una luminaria basada en Zhaga-D4i/SR, debe ser especificada por el proveedor del controlador/sensor maestro. En el caso de usar una base terminal de 7 patillas NEMA, en una luminaria basada en SR se requiere una verificación completa del sistema. No seguir estos consejos puede provocar o provocará un riesgo de daños e incumplimiento del que Signify no puede hacerse responsable.
- PT Compatibilidade certificada com Zhaga-D4i e SR** - As luminárias baseadas em Zhaga-D4i/SR certificado são apenas compatíveis com a utilização de componentes/sensores com certificação Zhaga-D4i/SR (ver também: <https://www.zhagastandard.org/products/> / <https://www.lighting.philips.co.uk/oem-emea/products/driving-connected-lighting>). A compatibilidade funcional de 2 controladores/sensores com certificação Zhaga-D4i/SR a serem utilizados em conjunto, bem como a possibilidade de sobreposição de qualquer função LineSwitch utilizada numa luminária baseada em Zhaga-D4i/SR deverão ser disponibilizadas pelo fornecedor do controlador/sensor principal. É necessário proceder a uma verificação integral do sistema para utilizar uma tomada NEMA de 7 pinos com uma luminária baseada em SR. O incumprimento destas recomendações poderá/lirá originar o risco de danos e inconformidades relativamente aos quais a Signify não poderá assumir qualquer responsabilidade.
- DE Zhaga-D4i und System Ready zertifizierte Kompatibilität** - Für Zhaga-D4i/SR-zertifizierte basierte Leuchten dürfen nur Zhaga-D4i/SR-zertifizierte Komponenten/Sensoren verwendet werden (siehe auch: <https://www.zhagastandard.org/products/> / <https://www.lighting.philips.co.uk/oem-emea/products/driving-connected-lighting>). Funktionale Kompatibilität von 2 Zhaga-D4i/SR-zertifizierten Steuergerät/Sensoren zur Verwendung in Kombination oder als Umgehungsmöglichkeit für Leitungsschaltungsfunktionen in einer Zhaga-D4i/SR-basierten Leuchte, freizugeben vom Lieferanten der Master-Steuergerät/Sensor. Zur Verwendung des NEMA 7 Pin-Socket an einer SR-basierten Leuchte ist eine vollständige Systemverifizierung erforderlich. Die Nichteinhaltung dieser Vorgaben kann zu Beschädigungen oder der Nichteinhaltung von Bestimmungen führen, für die Signify keinerlei Verantwortung übernehmen kann.
- FR Compatibilité certifiée Zhaga-D4i et SR** - Pour les luminaires qui reposent sur la technologie certifiée Zhaga-D4i/SR, seuls les composants/capteurs certifiés Zhaga-D4i/SR peuvent être utilisés (voir aussi : <https://www.zhagastandard.org/products/> / <https://www.lighting.philips.co.uk/oem-emea/products/driving-connected-lighting>). La compatibilité fonctionnelle de 2 contrôleurs / capteurs certifiés Zhaga-D4i/SR à utiliser ensemble ainsi que la possibilité de forçage de toute fonction d'interrupteur de ligne utilisée dans un luminaire reposant sur la technologie Zhaga-D4i/SR doivent être rendues possibles par le fournisseur original de contrôleurs/capteurs. Pour l'utilisation de la prise NEMA 7 broches sur un luminaire reposant sur la technologie SR, une vérification complète du système est requise. Ne pas suivre ces conseils peut/va entraîner des risques de dommages et de non-conformité pour lesquels Signify ne peut être tenue pour responsable.
- IT Compatibilità certificata Zhaga-D4i e SR** - Negli apparecchi in versione certificata Zhaga-D4i/SR devono essere utilizzati solo componenti/sensori certificati Zhaga-D4i/SR (consulta anche: <https://www.zhagastandard.org/products/> / <https://www.lighting.philips.co.uk/oem-emea/products/driving-connected-lighting>). La compatibilità funzionale di 2 controller/sensori certificati Zhaga-D4i/SR da utilizzare in combinazione e la possibilità di comandare la funzione lineswitch di un apparecchio di illuminazione Zhaga-D4i/SR, deve essere rilasciata dal fornitore del controller/sensore. Per utilizzare l'attacco NEMA 7pin su un apparecchio d'illuminazione SR sono necessarie delle verifiche. La mancata verifica può causare danni per non conformità per i quali Signify non si assume alcuna responsabilità.
- NL Zhaga-D4i/SR-gecertificeerde compatibiliteit** - Voor Zhaga-D4i/SR-geschikte armaturen dienen alleen Zhaga-D4i/SR-gecertificeerde componenten en/of sensoren te worden gebruikt (zie ook: <https://www.zhagastandard.org/products/> / <https://www.lighting.philips.co.uk/oem-emea/products/driving-connected-lighting>). Functionele compatibiliteit van twee Zhaga-D4i/SR-gecertificeerde componenten en/of sensoren die in combinatie worden gebruikt, evenals overbruggingsmogelijkheid van een eventuele LineSwitch-functie die wordt gebruikt in een Zhaga-D4i/SR-geschikte armatuur, dient te worden vrijgegeven door de leverancier van de hoofdcomponent/sensor. Bij gebruik van de NEMA 7 pins aansluitbus op een SR-geschikte armatuur is een volledige systeemverificatie vereist. Het niet opvolgen van deze adviezen of het niet voldoen aan de systeemvereisten geeft risico op schade waarvoor Signify geen enkele verantwoordelijkheid kan nemen.
- DK Zhaga-D4i og SR-certificeret kompatibilitet** - Til Zhaga-D4i/SR-certificeret baserede lysarmaturer må der kun anvendes Zhaga-D4i/SR-certificerede komponenter/sensorer (se også: <https://www.zhagastandard.org/products/> / <https://www.lighting.philips.co.uk/oem-emea/products/driving-connected-lighting>). Den funktionelle kompatibilitet af 2 Zhaga-D4i/SR-certificerede komponenter/sensorer, der skal bruges i kombination med hinanden samt muligheden for tilsidesættelse af enhver LineSwitch-funktion, der bruges i et Zhaga-D4i/SR-baseret armatur, skal frigives af leverandøren af masterkomponent/sensor. Til brug af en 7-benet NEMA-fatning på et SR-baseret armatur kræves der en fuld systemverificering. Hvis disse råd ikke følges, kan/vil det medføre en risiko for beskadigelse og manglende overholdelse, hvilket Signify ikke kan påtage sig ansvaret for.
- SE Zhaga-D4i och SR-certifierad kompatibilitet** - Enbart certifierade komponenter och sensorer ska användas i Zhaga-D4i/SR-certifierade baserade armaturer (se även: <https://www.zhagastandard.org/products/> / <https://www.lighting.philips.co.uk/oem-emea/products/driving-connected-lighting>). Kompatibilitet mellan två Zhaga-D4i/SR-certifierade komponenter/sensorer som ska användas tillsammans och möjlighet att åsidosätta alla LineSwitch-funktioner som används i en Zhaga-D4i/SR-baserad armatur kommer att släppas på marknaden av masterkomponentens/sensorns leverantör. För användning av NEMA 7-stiftsuttag på en SR-baserad armatur krävs en fullständig systemverifiering. Att inte följa dessa anvisningar medför risk för skada och innebar bristande efterlevnad som Signify inte tar något ansvar för.
- NO Zhaga-D4i og SR-sertifisert kompatibilitet** - For Zhaga-D4i/SR-sertifisert baserte armaturer skal bare Zhaga-D4i/SR-sertifiserte komponenter/sensorer brukes (se også: <https://www.zhagastandard.org/products/> / <https://www.lighting.philips.co.uk/oem-emea/products/driving-connected-lighting>). Funksjonell kompatibilitet av 2 Zhaga-D4i/SR-sertifiserte komponenter/sensorer som kan brukes i kombinasjon, samt overstyringsmulighet for en hvilken som helst linjeskiftfunksjon som brukes i en Zhaga-D4i/SR-basert lysarmatur, skal frigjøres av hovedkomponent/sensorleverandør. For bruk av NEMA 7-pinnens kontakt på en SR-basert lysarmatur er det nødvendig med en fullstendig systemverifisering. Det å ikke følge disse anbefalingene kan/vil medføre risiko for skade og manglende overholdelse som Signify ikke kan ta ansvar for.
- FI Zhaga-D4i ja SR-sertifioituja yhteensopivuus** - Zhaga-D4i/SR-sertifioituja valaisimissa tulee käyttää vain Zhaga-D4i/SR-sertifioituja komponentteja ja tunnistimia (saat lisätietoja osoitteesta <https://www.zhagastandard.org/products/> / <https://www.lighting.philips.co.uk/oem-emea/products/driving-connected-lighting>). Kahden käytettävän Zhaga-D4i/SR-sertifioidun komponentin/tunnistimen toimintojen yhteensopivuuden sekä Zhaga-D4i/SR-valaisimen kanssa käytettävän minkä tahansa linjakytintoiminnon ohitusmahdollisuuden vapauttaa komponenttien/tunnistimien päätoimittaja. Jos haluat käyttää seitsemipiikkistä NEMA-liitäntää SR-valaisimessa, järjestelmä on tarkistettava ja vahvistettava täysin. Jos et noudata tätä ohjetta, valaisin saattaa vaurioitua ja sen vaatimustenmukaisuus saattaa joutua kyseenalaiseksi. Signify ei ole tästä millään tavalla vastuussa.
- HU Zhaga-D4i és SR-tanúsítású kompatibilitás** - Az Zhaga-D4i/SR-tanúsítású alapú világítótestekkel csak Zhaga-D4i/SR-tanúsítású alkatrészek és érzékelők használhatók (lásd még: <https://www.zhagastandard.org/products/> / <https://www.lighting.philips.co.uk/oem-emea/products/driving-connected-lighting>). Két funkcionális kompatibilis Zhaga-D4i/SR-tanúsítású alkatrész, érzékelő illetve Zhaga-D4i/SR-alapú világítótésztbe beszerelt vezérelhető halózatlaldali leválasztó kapcsoló csak akkor használható együtt, ha azok közös használatát a fő vezérlőelem (szenzor) gyártója jóváhagyta. 7-pólusú NEMA csatlakozójelzőt tartalmazó SR-alapú világítótést használata esetén a rendszer teljes működését ellenőrizni kell. Ezen tanácsok be nem tartása károkat és nem megfelelést okozhat, amiért a Signify nem vállal felelősséget.
- PL Zgodność z certyfikatem SR i Zhaga-D4i** - W przypadku opraw oświetleniowych opartych na certyfikatem Zhaga-D4i/SR można stosować wyłącznie części/czujniki z certyfikatem Zhaga-D4i/SR (patrz również: <https://www.zhagastandard.org/products/> / <https://www.lighting.philips.co.uk/oem-emea/products/driving-connected-lighting>). Zgodność funkcjonalna dwóch części/czujników z certyfikatem Zhaga-D4i/SR stosowanych w połączeniu lub w zastępstwie dowolnej funkcji wyłącznika w oprawach opartych na Zhaga-D4i/SR musi być zapewniona przez dostawcę elementu nadrzędnego. Przed zastosowaniem 7-stykowego gniazda NEMA w oprawie oświetleniowej opartej na SR wymagana jest pełna weryfikacja systemu. Nieprzestrzeganie tych zaleceń jest równoznaczne z ryzykiem uszkodzenia i naruszeniem zasad użytkowania, za które firma Signify nie ponosi odpowiedzialności.

- RO Compatibilitate certificare Zhaga-D4i/SR** - Pentru corpurile de iluminat bazate pe certificare Zhaga-D4i/SR, trebuie să se utilizeze numai componentele/senzorii cu certificare Zhaga-D4i/SR (consultați, de asemenea: <https://www.zhagastandard.org/products> / <https://www.lighting.philips.co.uk/oem-emea/products/driving-connected-lighting>). Compatibilitate funcțională a 2 componente/senzori cu certificare Zhaga-D4i/SR care trebuie să fie utilizați în asociere, precum și posibilitate de a anula orice funcție lineswitch utilizată într-un corp de iluminat bazat pe Zhaga-D4i/SR, lucru care trebuie autorizat de furnizorul componentelor/senzorului principal. Pentru utilizarea socului cu 7 pini NEMA la un corp de iluminat bazat pe SR, este necesară o verificare completă a sistemului. Nerespectarea acestor recomandări poate duce la/va cauza risc de avarie și neconformitate, pentru care Signify nu își poate asuma nicio responsabilitate.
- CZ Certifikované kompatibilita s Zhaga-D4i/SR** - U svítidel Zhaga-D4i/SR certifikované se používají pouze Zhaga-D4i/SR certifikované součásti/snímače (viz též <https://www.zhagastandard.org/products> / <https://www.lighting.philips.co.uk/oem-emea/products/driving-connected-lighting>). Funkční kompatibilitu dvou součástí nebo snímačů s certifikací Zhaga-D4i/SR při použití v kombinaci a možnost potlačení funkce LineSwitch, používaných u svítidel Zhaga-D4i/SR, musí posoudit dodavatel hlavní součásti nebo snímače. Pro použití 7kolkové zásuvky NEMA na svítidle s certifikací SR je vyžadováno úplné ověření systému. Nedodržení těchto doporučení může způsobit poškození a nesoulad, za něž Signify nenese žádnou odpovědnost.
- TR Zhaga-D4i/SR sertifikalı uyumluluğu** - Zhaga-D4i/SR sertifikalı tabanlı aydınlatma armatürleri için yalnızca Zhaga-D4i/SR sertifikalı bileşenler/sensörler kullanılmalıdır (ayrıca bkz: <https://www.zhagastandard.org/products> / <https://www.lighting.philips.co.uk/oem-emea/products/driving-connected-lighting>). Birlikte kullanılacak 2 Zhaga-D4i/SR sertifikalı bileşenin/sensörün işlevsel uyumluluğu ve Zhaga-D4i/SR tabanlı aydınlatma armatüründe kullanılan herhangi bir lineswitch işlevinin geçersiz kılınma olasılığı, ana bileşen/sensör tedarikçisi tarafından sağlanacaktır. SR tabanlı aydınlatma armatüründe NEMA 7 pimli soketin kullanılması için tam sistem doğrulaması gereklidir. Bu tavsiyelere uymamak, Signify'nin sorumlu tutulamayacağı hasar riskine ve uyumsuzluğa neden olabilir.
- SK Certifikované kompatibilita Zhaga-D4i/SR** - Pri svietidlách založených na Zhaga-D4i/SR certifikované sa smú používať len Zhaga-D4i/SR certifikované komponenty/snímače (pozri tiež: <https://www.zhagastandard.org/products> / <https://www.lighting.philips.co.uk/oem-emea/products/driving-connected-lighting>). Funkčnú kompatibilitu 2 Zhaga-D4i/SR certifikovaných komponentov/snímačov na použitie v kombinácii, ako aj možnosť zrušenia funkcie spínača použitej v svietidle založenom na Zhaga-D4i/SR, má zabezpečiť dodávateľ hlavného komponentu/snímača. Pri použití 7-kolíkovej objímky NEMA v svietidle založenom na SR sa vyžaduje overenie celého systému. Nedodržanie týchto pokynov môže spôsobiť/spôsobí poškodenie a nesúlad, za ktoré spoločnosť Signify nemôže nieť zodpovednosť.
- GR Πιστοποιημένη συμβατότητα Zhaga-D4i/SR** - Για τα φωτιστικά που βασίζονται στο πιστοποιήση Zhaga-D4i/SR, πρέπει να χρησιμοποιούνται μόνο εξαρτήματα/αισθητήρες με πιστοποίηση Zhaga-D4i/SR (δείτε επίσης: <https://www.zhagastandard.org/products> / <https://www.lighting.philips.co.uk/oem-emea/products/driving-connected-lighting>). Η λειτουργική συμβατότητα 2 εξαρτημάτων/αισθητήρων με πιστοποίηση Zhaga-D4i/SR που θα χρησιμοποιηθούν σε συνδυασμό, καθώς και η δυνατότητα παράκαμψης οποιασδήποτε λειτουργίας lineswitch που χρησιμοποιείται σε ένα φωτιστικό που βασίζεται στο Zhaga-D4i/SR, θα πρέπει να κοινοποιηθεί από τον προμηθευτή του κύριου εξαρτήματος/αισθητήρα. Για τη χρήση υποδοχής NEMA 7 ακίδων σε φωτιστικό που βασίζεται στο SR, απαιτείται πλήρης επαλήθευση συστήματος. Αν δεν ληφθούν υπόψη αυτές οι συμβουλές, μπορεί να/θα προκληθεί κίνδυνος ζημιάς και μη συμμόρφωσης, για τα οποία η Signify δεν μπορεί να αναλάβει καμία ευθύνη.
- RU Сертифицированная совместимость с устройствами Zhaga-D4i/SR** - Светильники на основе технологии сертифицированными Zhaga-D4i/SR совместимы только с компонентами/датчиками, сертифицированными для использования с технологией Zhaga-D4i/SR (см. также: <https://www.zhagastandard.org/products> / <https://www.lighting.philips.co.uk/oem-emea/products/driving-connected-lighting>). Функциональная совместимость используемых в сочетании 2 компонентов/датчиков сертифицированных для использования с технологией Zhaga-D4i/SR, а также возможность переопределяющего управления любой функцией уменьшения яркости LineSwitch при использовании светильника на основе технологии SR /Zhaga-D4i определяется поставщиком основного компонента/датчика. Для использования 7-контактного гнезда NEMA на светильнике на основе технологии SR требуется полная проверка системы. Несоблюдение этих рекомендаций с высокой вероятностью может привести к возможным повреждениям и несоответствию системы спецификациям, за которые компания Signify не несет какой-либо ответственности.
- BG Съвместимост и функционална готовност за свързване към система за управление /Zhaga-D4i и SR certified compatibility/**- За осветителните тела с вградена функционална готовност за свързване към система за управление трябва да се използват само компоненти сертифицирани за тази цел (моля вижте следния линк: <https://www.zhagastandard.org/products> / <https://www.lighting.philips.co.uk/oem-emea/products/driving-connected-lighting>). Функционалната съвместимост на два сертифицирани за използване в осветителните тела с вградена готовност за свързване към система за управление, Zhaga-D4i/SR certified компонента/сензора, които се използват в комбинация, както и възможността за използване на пълната функционалност на предварително готови за свързване към система за управление Zhaga-D4i/SR based, осветителни тела трябва да бъде осигурена от доставчика на съответния компонент/сензор. Ако се използва конектор NEMA със 7 цифра на осветителните тела с предварителна функционална готовност за свързване към система за управление /SR based/ трябва да се направи проверка на съвместимостта на цялата система и нейните съставни компоненти. Неспазването на този съвет може/ще доведе до риск от повреда и несъответствие, за което Сигнифай Интернешънъл не носи отговорност.
- HR Zhaga-D4i/SR certificirane kompatibilnost** – Za Zhaga-D4i/SR certificirane svjetiljke, samo Zhaga-D4i/SR certificirane komponente/senzori smiju biti korišteni (detaljno dostupno na: <https://www.zhagastandard.org/products> / <https://www.lighting.philips.co.uk/oem-emea/products/driving-connected-lighting>). Funkcionalna kompatibilnost dvaju Zhaga-D4i/SR certificiranih kompenenti/senzora za korištenje u kombinaciji, kao i mogućnosti prisilnog preklopa funkcija preklapanja mreže korištenog u SR /Zhaga-D4i pripremljenim svjetiljkama treba biti potvrđena od strane dobavljača master odnosno senzor SR komponenti. U slučaju korištenja NEMA 7-pin konektora na SR pripremljenim svjetiljkama, potrebna je cjelovita systemska verifikacija te kombinacije prije korištenja. Nepoštivanje ovog savjeta će stvarno ili potencijalno uzrokovati rizik kvara ili nepravilnog funkcioniranja sistema za koje Signify ne može preuzeti odgovornost.
- LT Zhaga-D4i/SR (System Ready) sertifikuočius suderinamumas** – Sertifikuočius šviestuvuose su Zhaga-D4i/SR galima naudoti tik Zhaga-D4i/SR sertifikuočius komponentus / jutiklius (taip pat žiūrėkite: <https://www.zhagastandard.org/products> / <https://www.lighting.philips.co.uk/oem-emea/products/driving-connected-lighting>). Komponentų / jutiklių tiekėjas turi užtikrinti tinkamą dviejų Zhaga-D4i/SR sertifikuočius komponentų / jutiklių, kurie bus naudojami kartu, funkcinį suderinamumą, taip pat galimybę panaikinti bet kurią linijinio perjungimo funkciją, naudojamą šviestuve su Zhaga-D4i/SR. Jei SR šviestuve naudojamas NEMA 7 kontaktų lizdas, būtina papildomai atlikti visos sistemos patikrą. Šių nurodymų nesilaikymas gali įtakoti sugadinimą ir nesuderinamumą/neveikimą, už kuriuos „Signify“ neprisiima jokios atsakomybės.
- LV Zhaga-D4i/SR sertificēti saderība** – Gaismekļiem uz Zhaga-D4i/SR bāzes ir izmantojami tikai Zhaga-D4i/SR sertificēti komponenti/sensori (skatīt arī: <https://www.zhagastandard.org/products> / <https://www.lighting.philips.co.uk/oem-emea/products/driving-connected-lighting>). Funkcionāla saderība starp diviem Zhaga-D4i/SR sertificētiem komponentiem/sensoriem, kurus izmantos kopā, kā arī, ignorēšanas iespējas jebkuras līnijas pārslēgšanas funkcijas, kas tiks izmantotas Zhaga-D4i/SR bāzes gaismekļos, ir jānodrēz galvenā komponenta / sensora piegādātājam. Ja izmanto NEMA 7 – pin līgzdu kopā ar SR bāzēto gaismekli, verifikācija ir obligāta visai sistēmai. Šī ieteikuma neievērošana var radīt / radīs kaitējuma un neatbilstības risku, par kuru Signify nevar uzņemties nekādu atbildību.
- EE Zhaga-D4i/SR-sertifikaadiga ühilduvus** – Zhaga-D4i/SR-põhiste valgustite puhul tuleb kasutada ainult Zhaga-D4i/SR-sertifikaadiga komponente/andureid (vt ka: <https://www.zhagastandard.org/products> / <https://www.lighting.philips.co.uk/oem-emea/products/driving-connected-lighting>). Zhaga-D4i/SR-sertifitseeritud seadme/anduri tarnija peab lubama ja vastutama kahe kombineeritud Zhaga-D4i/SR seadme/anduri funktsionaalse ühilduvuse ja juhtsoone (Lineswitch) funktsiooni kasutamisel seadle alustamise Zhaga-D4i/SR valmidusega valgustis. Kui kasutate SR-põhisel valgustil NEMA 7-pin pistikut, on vajalik süsteemi vastavuse täielik kontroll. Selle nõude mittejärgimine võib põhjustada kahju tekkimist ja mittevastavust, mille eest Signify ei vastuta.
- SI Certificirane združljivost s Zhaga-D4i/SR** – Za svetilke, ki temeljijo na Zhaga-D4i/SR, se smejo uporabiti samo certificirane Zhaga-D4i/SR komponente / senzori, (glejte tudi: <https://www.zhagastandard.org/products> / <https://www.lighting.philips.co.uk/oem-emea/products/driving-connected-lighting>). Funkcionalno združljivost certificirane Zhaga-D4i/SR komponent / senzorjev, ki jih je treba uporabiti v kombinaciji, kot tudi možnost preglašovanja katere koli funkcije linijskega stikala, mora sprošiti glavni dobavitelj komponent / senzorjev. Če uporabljate 7-pin vtičnico NEMA v svetilki, ki temelji na SR, je potrebna celovita verifikacija sistema. Neupoštevanje teh navodil lahko povzroči škodo in neskladnosti, za kar podjetje Signify ne prevzema nobene odgovornosti.