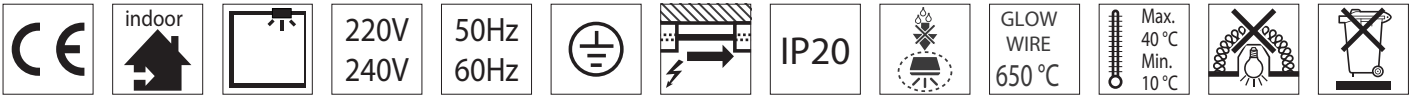
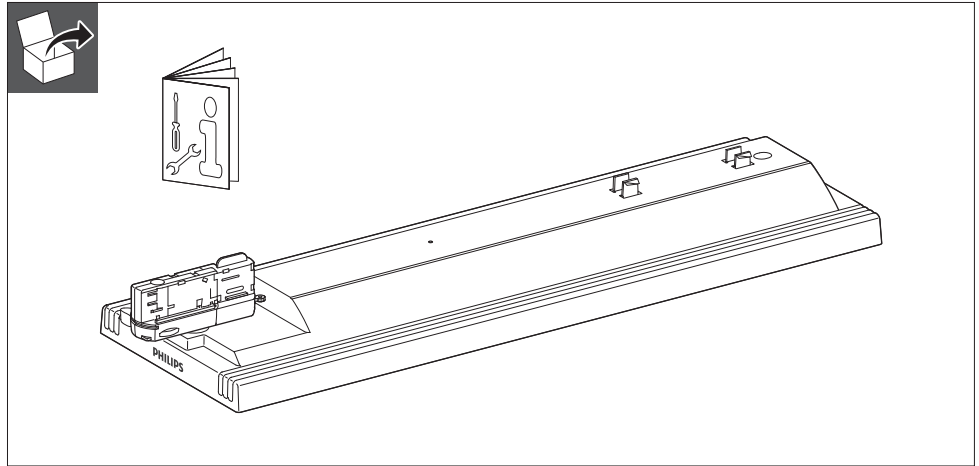


PHILIPS

StoreSet Track

SM505T



	Lumen package	CCT	m ²	kg
SM505T	LED66S / LED80S / LED90S	830 / 835 / 840 / 930 / 940	0.1	2.2

- The luminaire shall be installed by a qualified electrician and wired in accordance with the latest IEE electrical regulations or the national requirements.

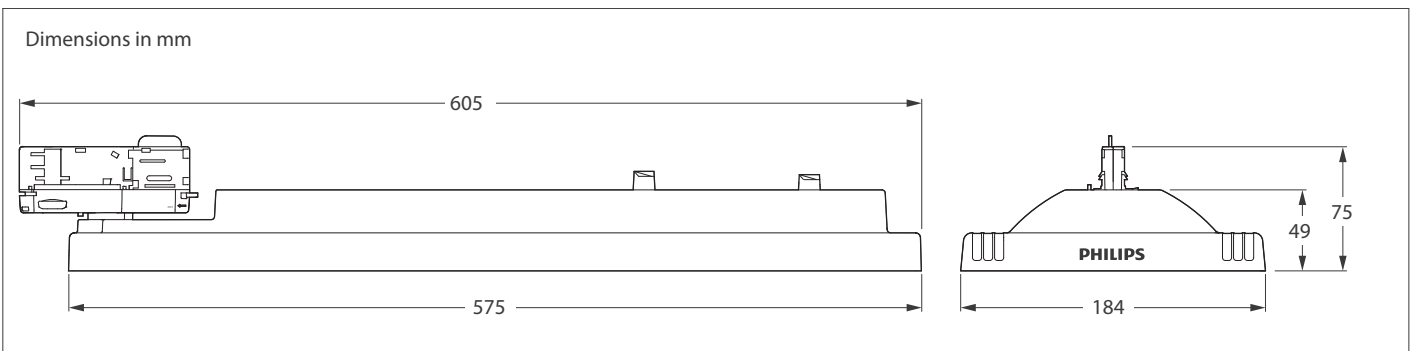
- The light source contained in this luminaire is non-user replaceable. The driver and the light source shall only be replaced by the manufacturer or his service agent or a similar qualified person.

- Do not touch electronic components!
Electronic components may be under high voltage. Caution, risk of electric shock.

- The luminaire shall, under no circumstance, be covered with thermal insulation matting or similar material.

ATTENTION
OBSERVE PRECAUTIONS
FOR HANDLING
ELECTROSTATIC
SENSITIVE
DEVICES

The light source contained in this luminaire shall only be replaced by the manufacturer or his service agent or a similar qualified person.

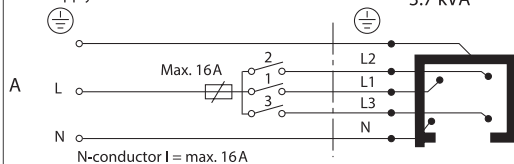




GLOBAL Trac Pro PSU GA69

1-phase, 3-circuit
Supply

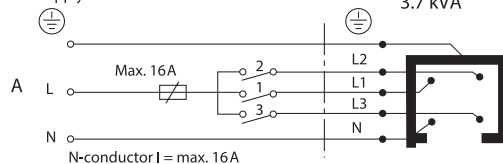
230 V AC, 16 A,
Track 3.7 kVA



GLOBAL Trac Pulse control PSD GAC69

1-phase, 3-circuit
Supply

230 V AC, 16 A,
Track 3.7 kVA

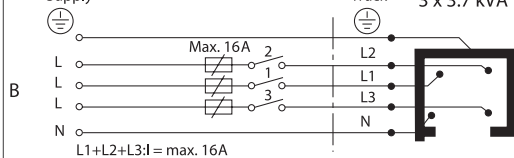


GLOBAL Trac connecting diagrams.

This product is designed for GLOBAL Trac. Please contact relevant product specialist for compatibility with other track types.

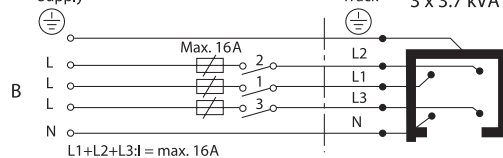
3-phase, 3-circuit
Supply

230/400 V AC, 16 A,
Track 3 x 3.7 kVA



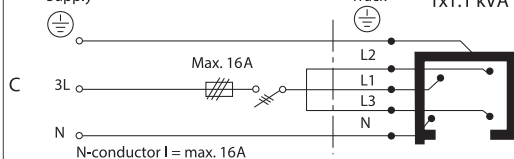
3-phase, 3-circuit
Supply

230/400 V AC, 16 A,
Track 3 x 3.7 kVA



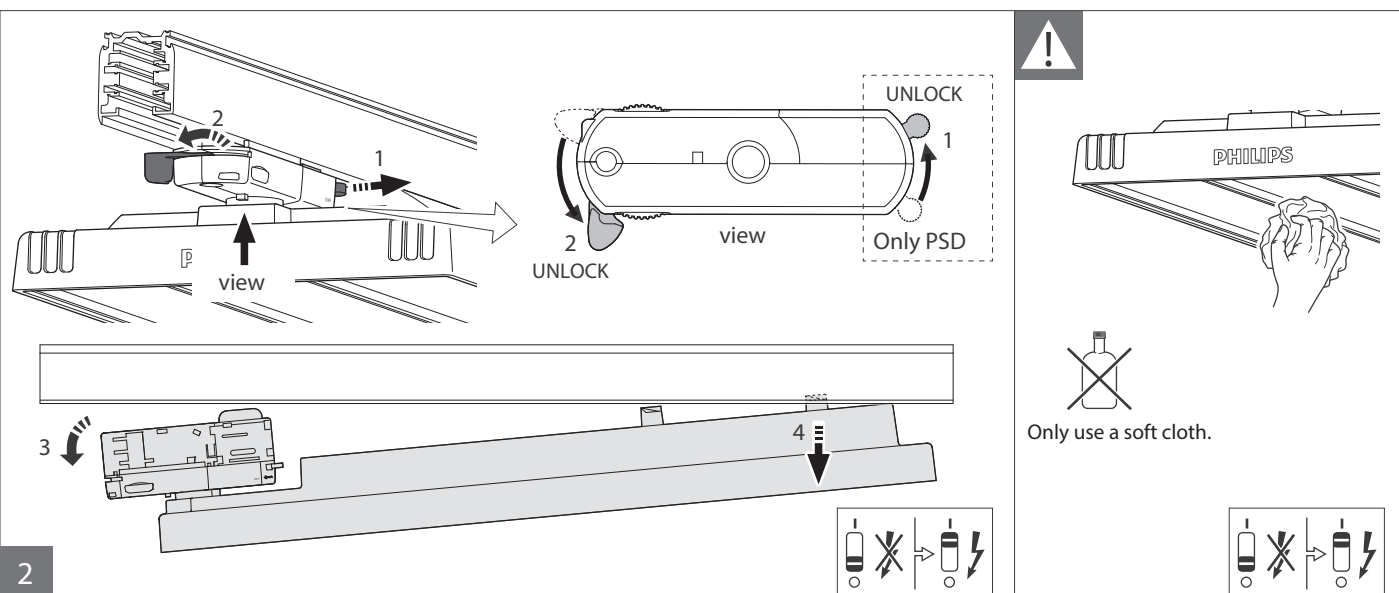
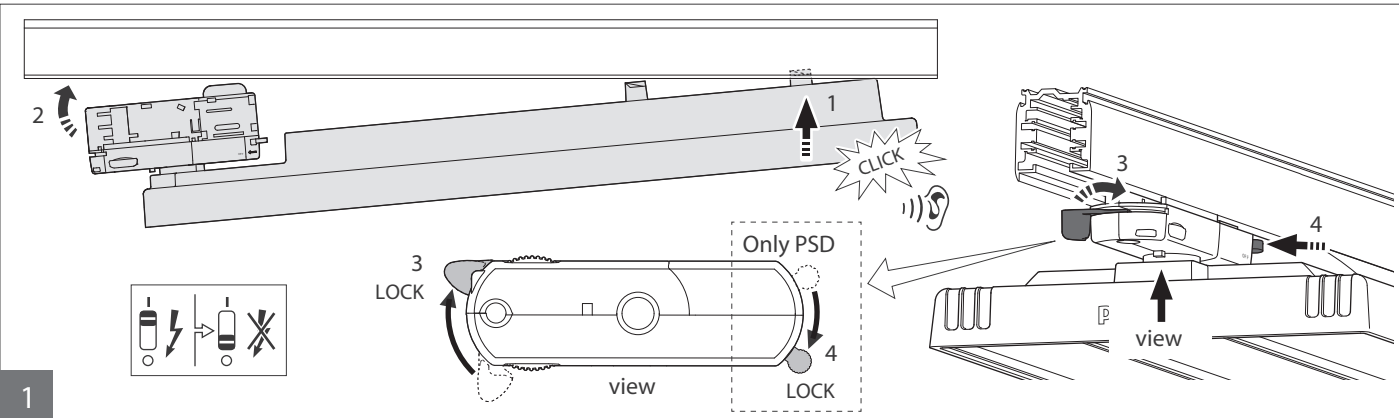
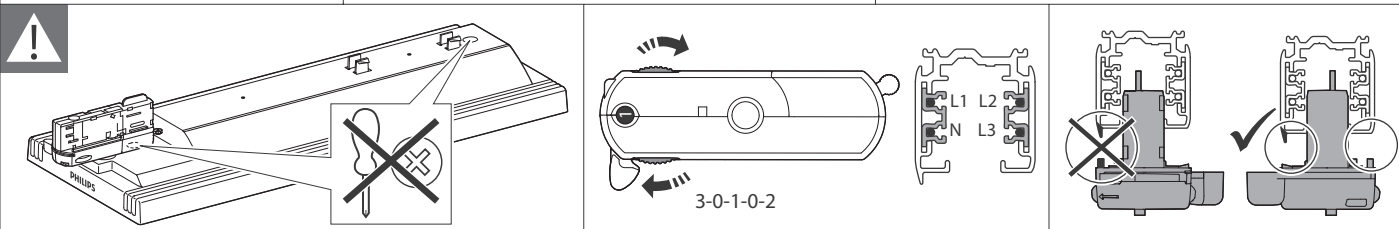
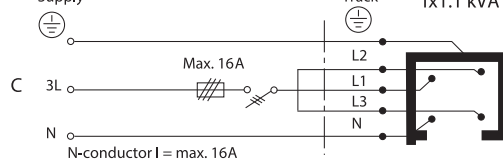
3-phase, 3-phase
Supply

230/400 V AC, 16 A,
Track 1x1.1 kVA



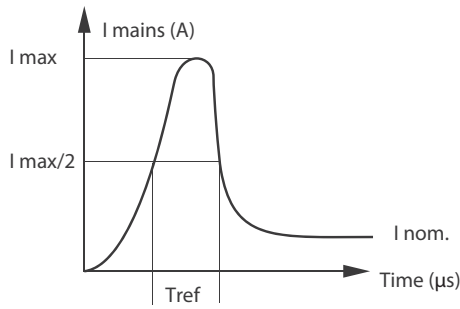
3-phase, 3-phase
Supply

230/400 V AC, 16 A,
Track 1x1.1 kVA



CCT 830/835/840

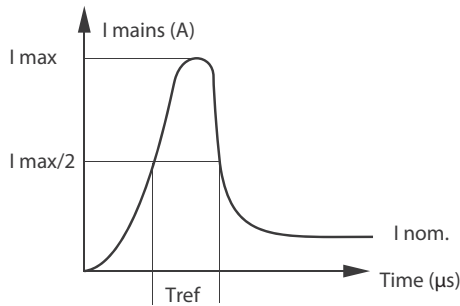
Inrush current



	LED66S/LED80S/LED90S	LED66S/LED80S/LED90S
	Xitanium 75W 0.12-0.4A 220V 230V	Xitanium 75W 0.12-0.4A 215V TD CL 230V
Electrical characteristics		
I_{max} (A)	22	19
T_{ref} (μs)	275	280
MCB Luminaire Max.		
B-15A	24	24
	PSU	PSD

CCT 930/940

Inrush current



	LED66S/LED80S	LED66S/LED80S	LED90S	LED90S
	Xitanium 75W 0.12-0.4A 220V 230V	Xitanium 75W 0.12-0.4A 215V TD CL 230V	Xitanium 100W 0.15-0.5A 300V iXt 230V	Xitanium 150W 0.2-0.7A 300V iXT TDCL 230V
Electrical characteristics				
I_{max} (A)	22	19	6.02	5.1
T_{ref} (μs)	275	280	65	760
MCB Luminaire Max.				
B-15A	24	24	18	12
	PSU	PSD	PSU	PSD



© 2018 Signify Holding.

All rights reserved. Reproduction in whole or in part is prohibited without the prior written consent of the copyright owner. The information presented in this document does not form part of any quotation or contract, is believed to be accurate and reliable and may be changed without notice. No liability will be accepted by the publisher for any consequence of its use. Publication thereof does not convey nor imply any license under patent- or other industrial or intellectual property rights.

Signify Holding
The Netherlands