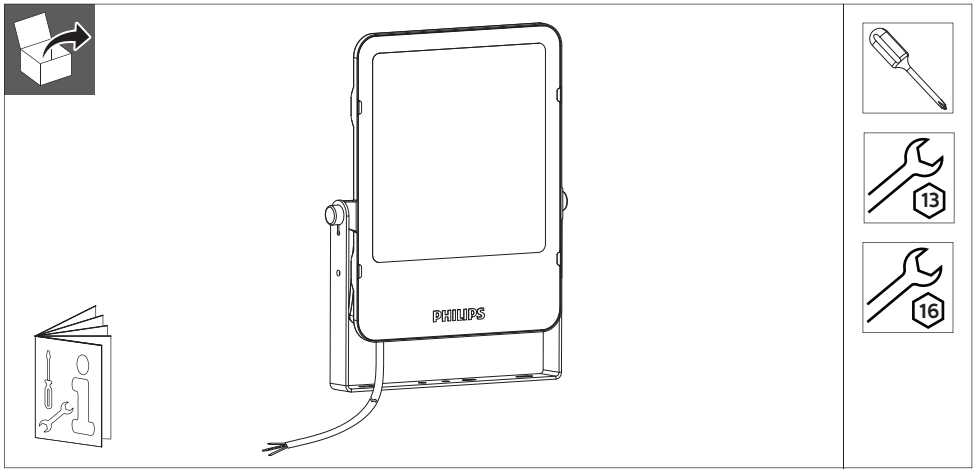


PHILIPS

Ledinaire Floodlight

BVP155



220V **50Hz** **IK08** **IP65** **RG=1**
 Max. 40 °C Min. -25 °C Ta 25 °C

	Flux (lm)	Power (W)	Beam	m ²	kg
BVP155 LED100/840 PSU 100W AWB CE	10000	100		0.07	3.28
BVP155 LED150/840 PSU 150W AWB CE	15000	150	40° X 80°	0.11	5.02
BVP155 LED200/840 PSU 200W AWB CE	20000	200		0.14	6.26

	100 W	150 W	200 W
A	236	293	336
B	360	430	491
C	58	60	60
D	308	380	423.5
E	15	15	15
F	8.5	10.5	10.5
G	273	335	378

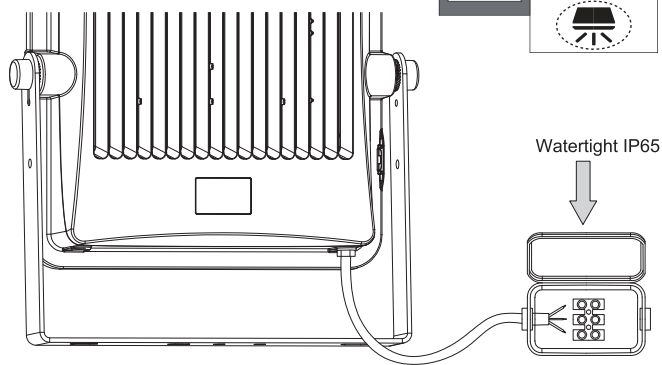
The exposed wire length : 100/150/200W 1000mm



Install the luminaire according to the national regulations. 3P terminal, the terminal is at least rated voltage 250V.

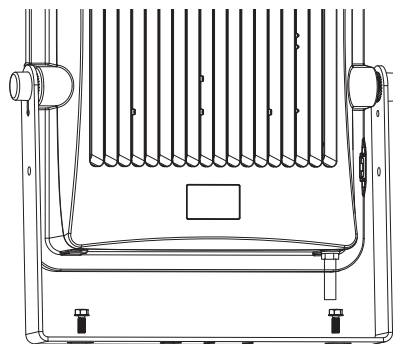
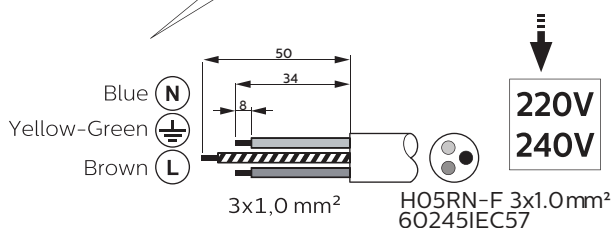


If the luminaire is higher >3 m, the use of 2nd fixing security system is needed.



Watertight IP65

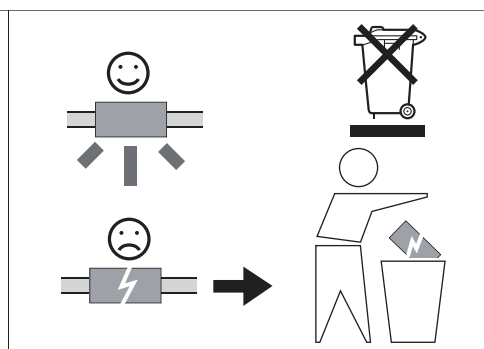
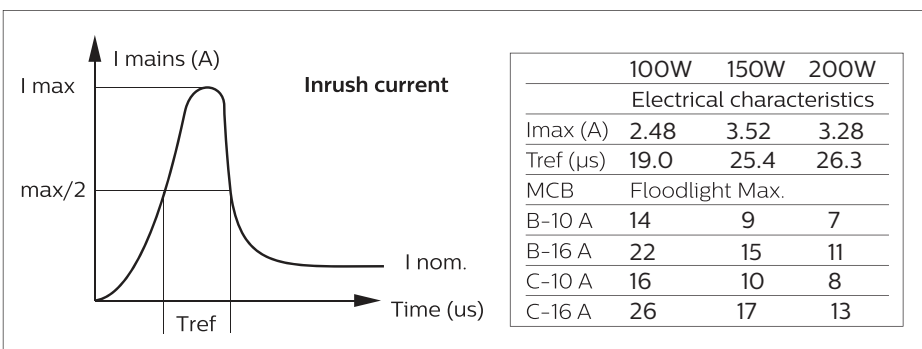
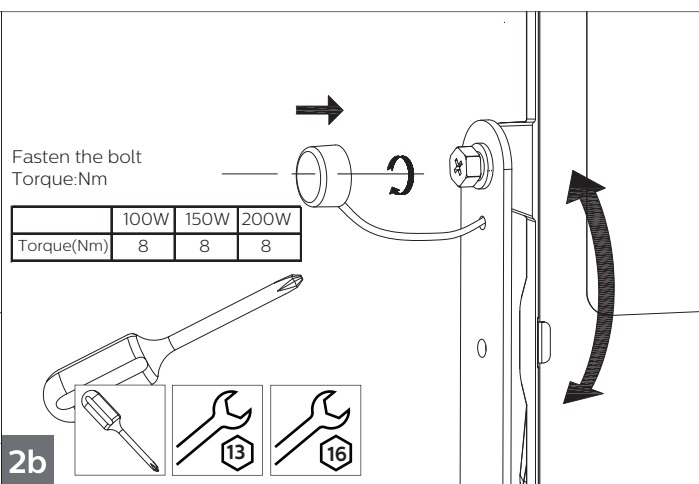
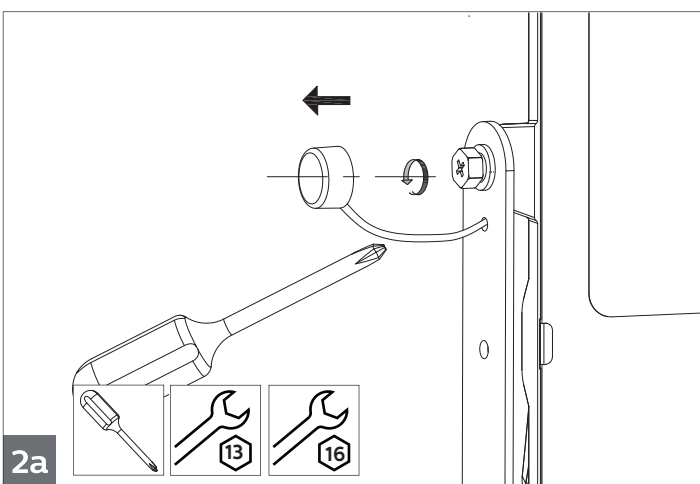
* No Supplied Watertight Box



2x
100W:M8
150/200W:M10

1a

1b



- The luminaire shall be installed or maintained by a qualified electrician and wired in accordance with the latest IEE electrical regulations or the national requirements.
- The external flexible cable or cord of this luminaire cannot be replaced; if the cord is damaged, the luminaire shall be destroyed.
- The light source of this luminaire is not replaceable; when the light source reaches its end of life the whole luminaire shall be replaced.