

PHILIPS

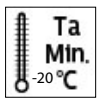
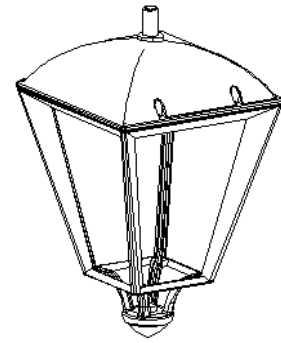
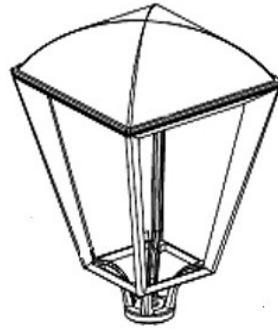
Micenas LED

BDP791



BDP791

BSP791



* OPTIONS FLUX/POWER IN L-TUNE



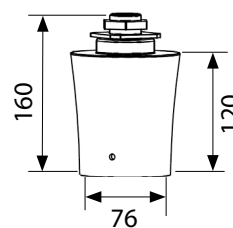
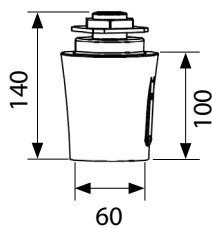
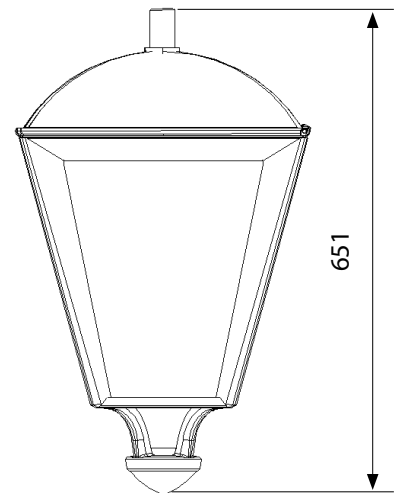
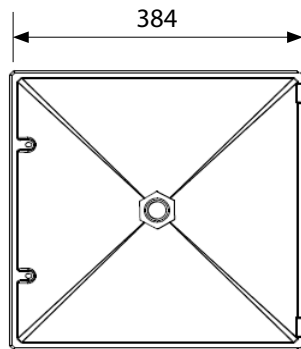
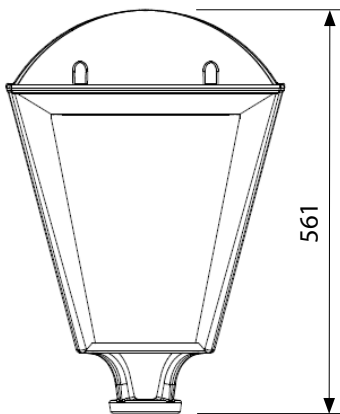
This luminaire must be installed only by qualified personnel





Disconnect before servicing



i BDP791

BSP791



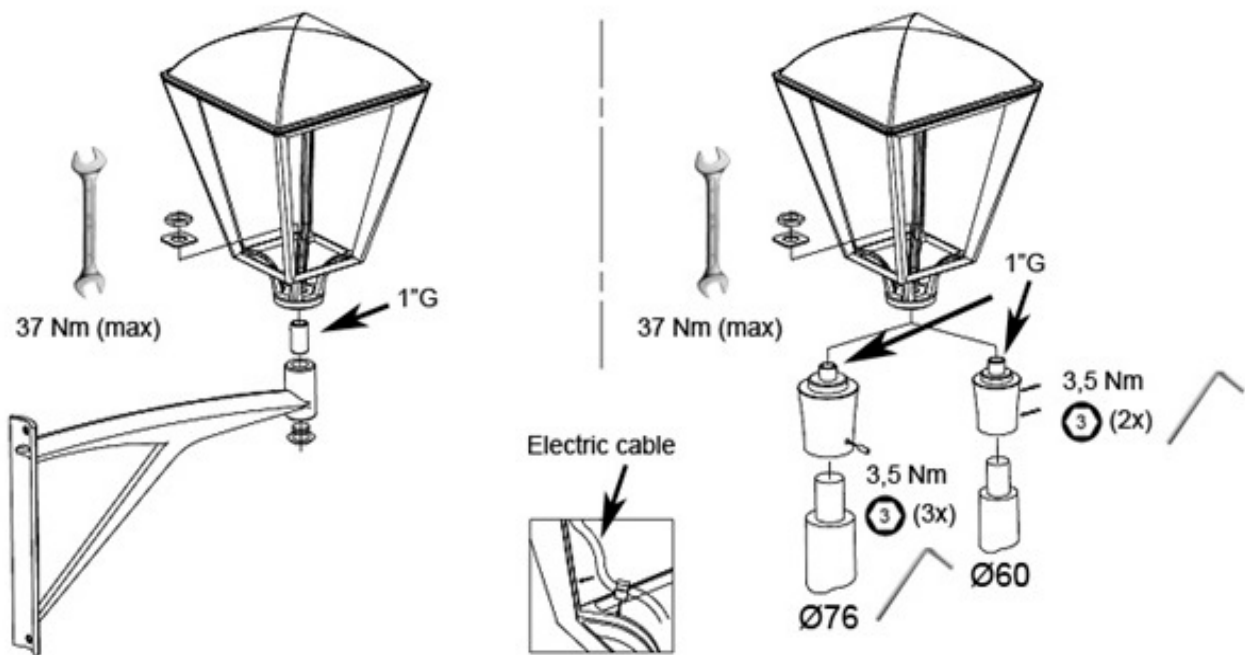
 led color	LINE	LEDs	W +/-10%	Inrush Current	Current Width	 Max.
740	LED17-4S	12	13	22 A	290 us	20
740	LED22-4S	12	17	22 A	290 us	20
740	LED29-4S	12	22	22 A	290 us	20
740	LED33-4S	12	26	22 A	290 us	20
740	LED40-4S	20	30	22 A	290 us	20
740	LED43-4S	20	32	22 A	290 us	20
740	LED52-4S	20	39	22 A	290 us	20
740	LED57-4S	20	43	22 A	290 us	20
740	LED65-4S	30	48	46 A	250 us	20
740	LED71-4S	30	52	46 A	250 us	11
740	LED84-4S	30	63	46 A	250 us	11
740	LED92-4S	40	68	80 A	150 us	11

o

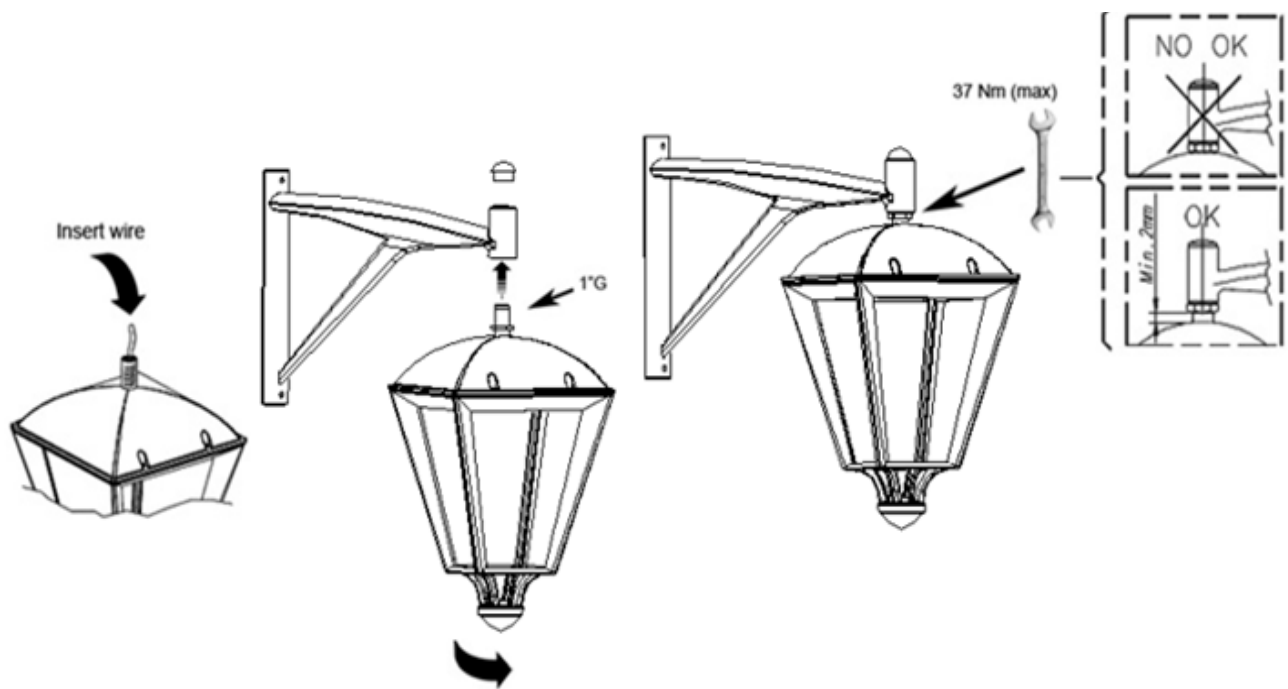
 led color	LINE	LEDs	W +/-10%	Inrush Current	Current Width	 Max.
830	LED14-4S	12	15	22 A	290 us	20
830	LED20-4S	12	20	22 A	290 us	20
830	LED25-4S	12	25	22 A	290 us	20
830	LED29-4S	20	28	22 A	290 us	20
830	LED35-4S	20	34	22 A	290 us	20
830	LED38-4S	20	37	22 A	290 us	20
830	LED47-4S	20	47	22 A	290 us	20
830	LED50-4S	30	46	46 A	250 us	11
830	LED57-4S	30	54	46 A	250 us	11
830	LED61-4S	30	58	46 A	250 us	11
830	LED73-4S	40	68	80 A	150 us	9
830	LED80-4S	30	76	80 A	150 us	9



Column/bracket mounting

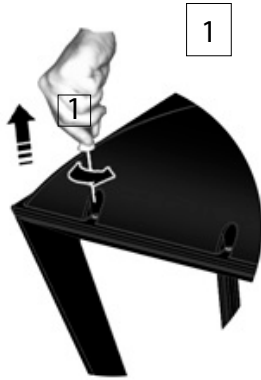


Suspended mounting





T25



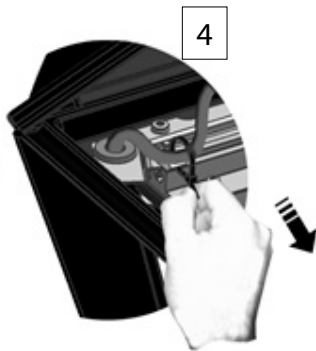
1



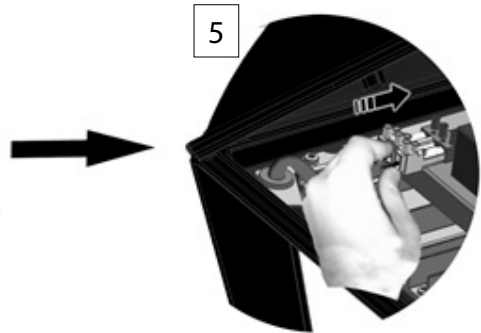
2



3



4

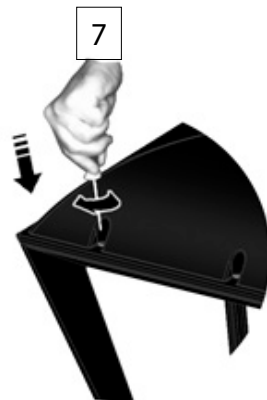


5



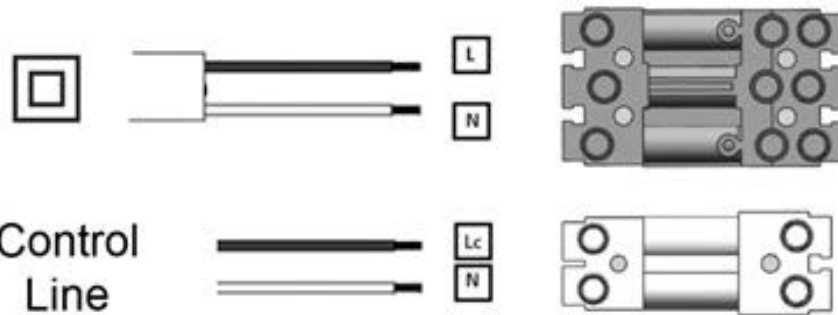
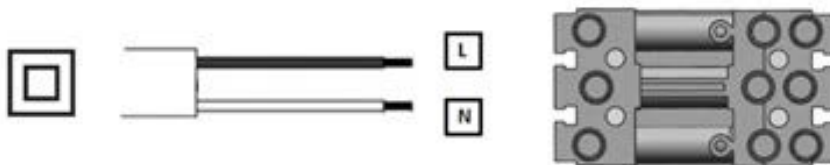
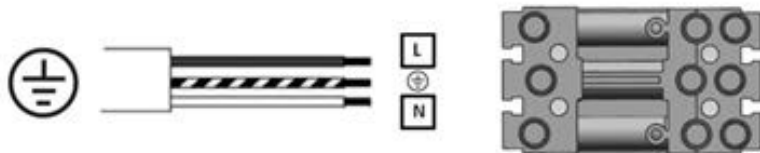
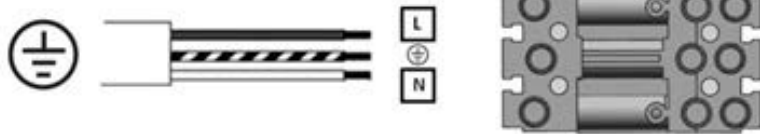
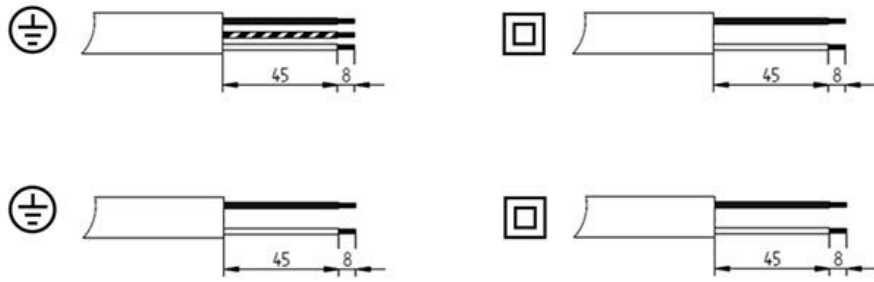
6

T25



7

POWER LINE
Ø10-14 mm



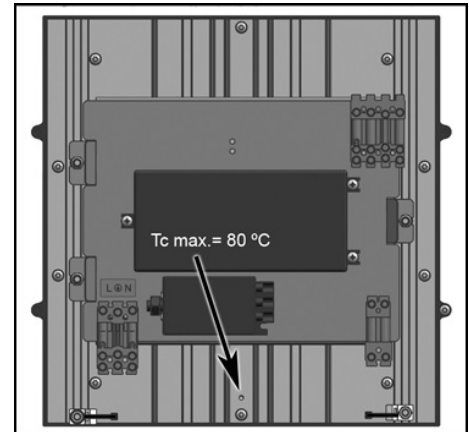
All electrical and flux values are typical values at 25°C ambient.

	Flux	W
LED	+/- 7%	-
Vf LED	-	+7% / -12%
I-driver	+/- 5%	+/- 5%
	+/- 12%	+12% / -17%

Temperature protection:

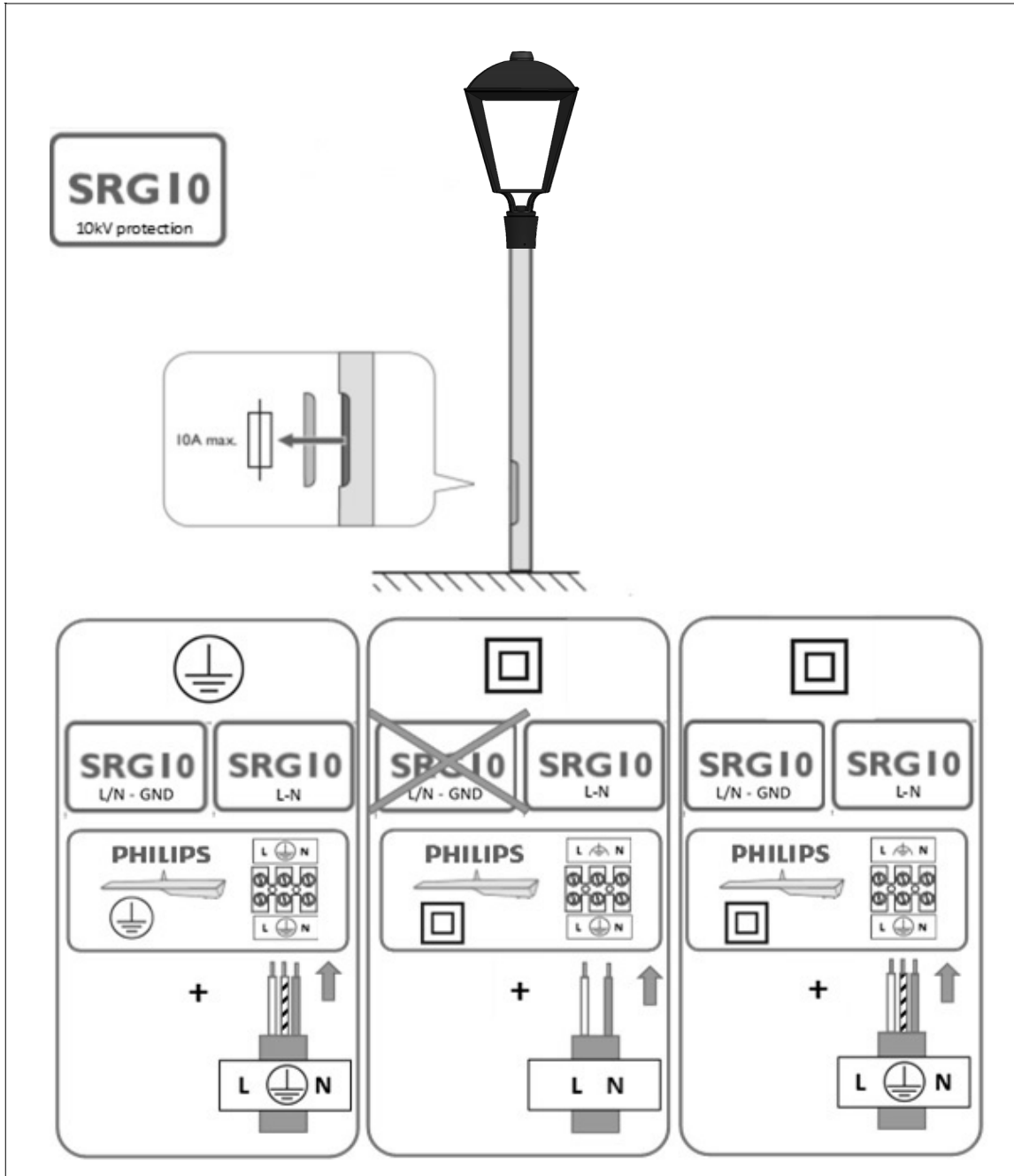
Both LED and Driver have a temperature protection. When for any reason the temperature of LED is too high the system first dims back to 50%, if it is still too hot it will switch off. If the driver is too warm it switches off. Power will return automatically when the temperature has dropped again.

T_c max. of Led module:



LWx







© 2016 Philips Lighting Holding B.V.

All rights reserved. Reproduction in whole or in part is prohibited without consent of the copyright owner.

The information presented in this document does not form part of any quotation or contract and is believed to be accurate and reliable and may be changed without notice. No liability will be accepted by the publisher for any consequence of its use. Publication thereof does not convey nor imply any license under patent or other industrial or intellectual property rights.

Philips Lighting Holding B.V.
The Netherlands