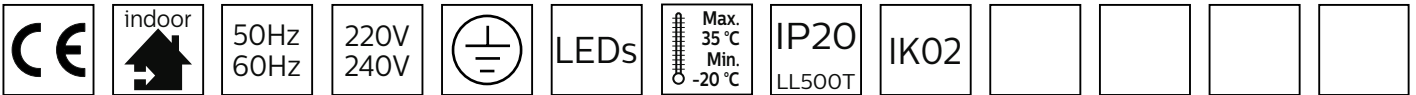
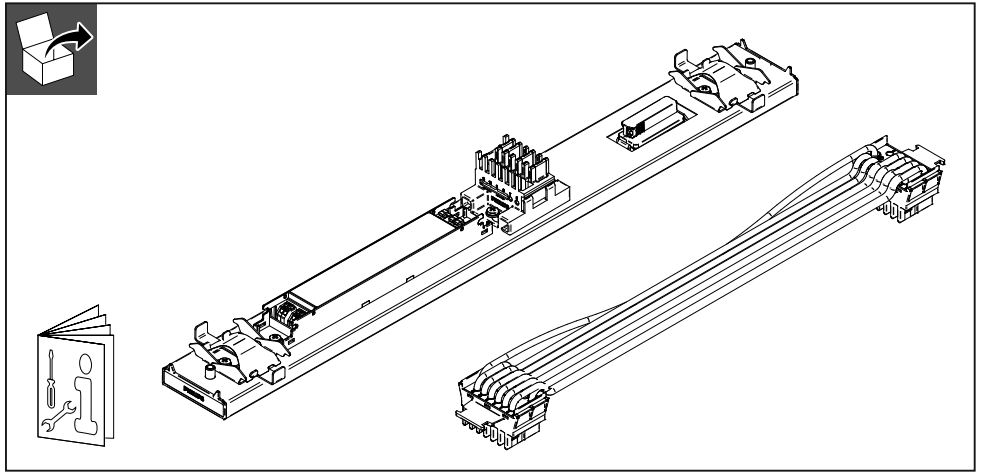


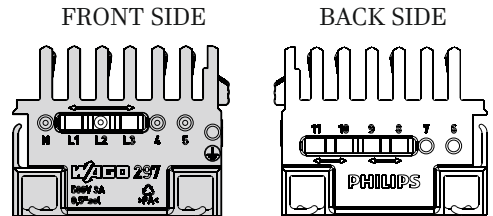
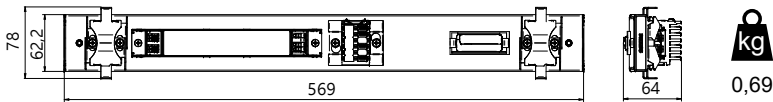
# PHILIPS

Maxos fusion

LL500E Gen2

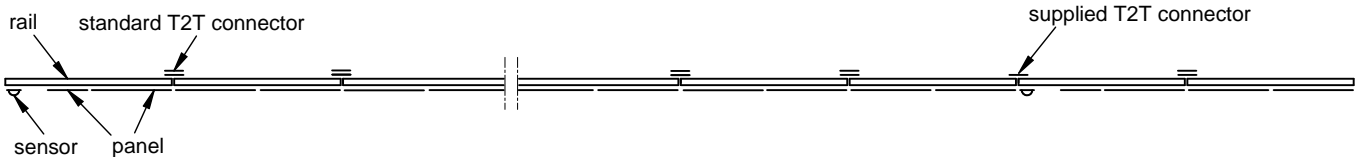


LL500E IA4 SR2DALI Gen2  
(with SNS210/w IA sensor)

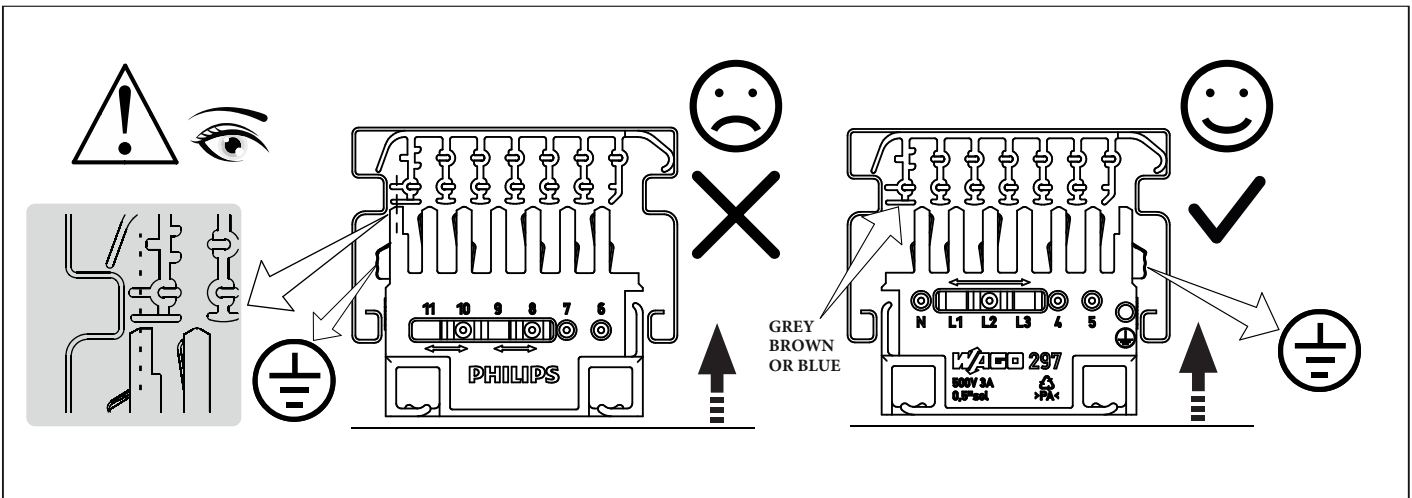
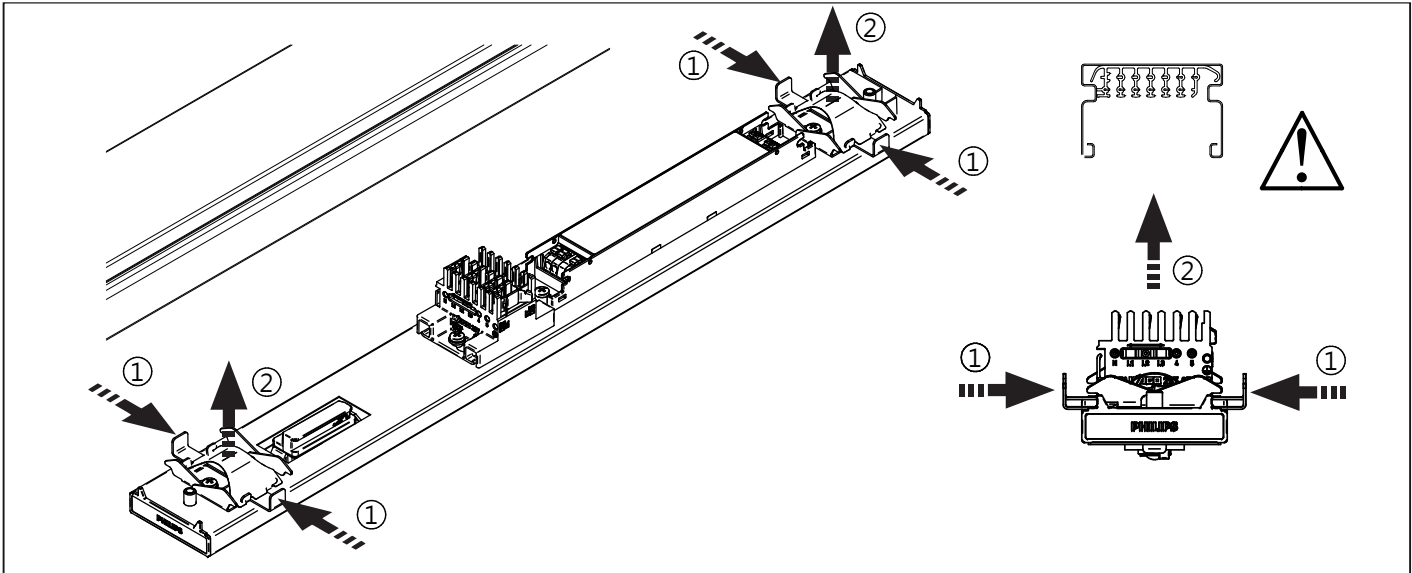


PE N	FRONT SIDE					BACK SIDE						Trunk Compatibility		
	L1	L2	L3	4	5	6	7	8	9	10	11	LL...T7...	LL...T9...	LL...T13...
LL500E IA4 SR2DALI Gen2				DA+	DA-							✓	✓	✓

- for use with DIA drivers. DON'T USE with PSD, SRD and SIA drivers (high risk of DAMAGE)
- use max. 20 DALI drivers per one DALI line segment
- use supplied T2T connector to electrically separate group of 1 sensor + 20 drivers with another group along the line
- do not connect more than one sensor unit to one DALI line segment
- do not connect more than one emergency light unit to one DALI line segment
- do not connect any external power sources to DALI
- max 20 m distance (line-of-sight) between RF nodes



442710484361  
2023-10-25  
© Signify Holding  
All rights reserved



- Minor movement (person moving  $\leq 0.9$  m/s).
- Major movement (person moving  $\geq 0.9$  m/s)..



Height	Minor Movement		Major Movement	
	X1	Y1	X2	Y2
2.4 m	1.9 m	2.9 m	2.9 m	4.3 m
3 m	2.4 m	3.6 m	3.6 m	5.4 m

Note: Longer dimension of detection area (Y1, Y2) is parallel to longer dimension of EasyAir SNS210 .

