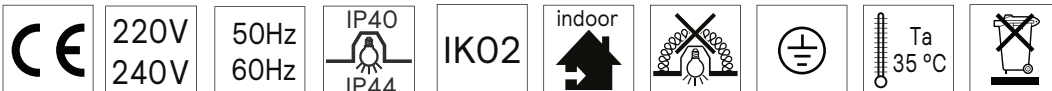
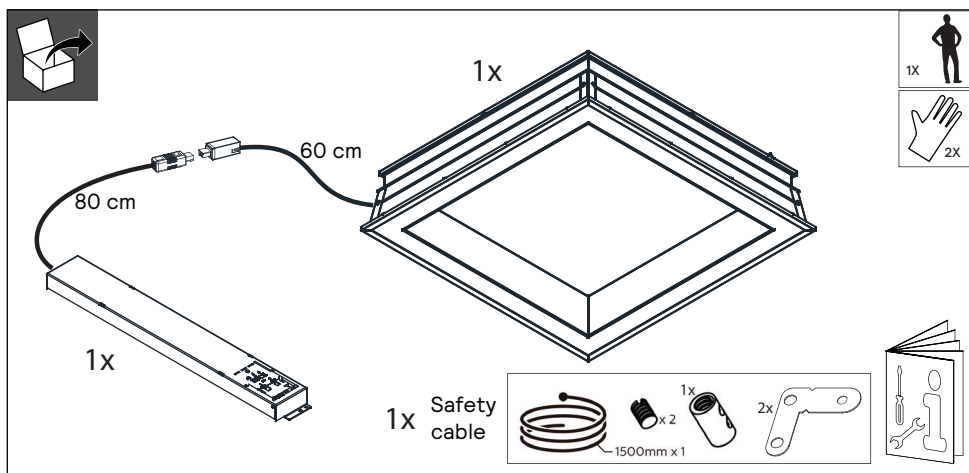



NatureConnect

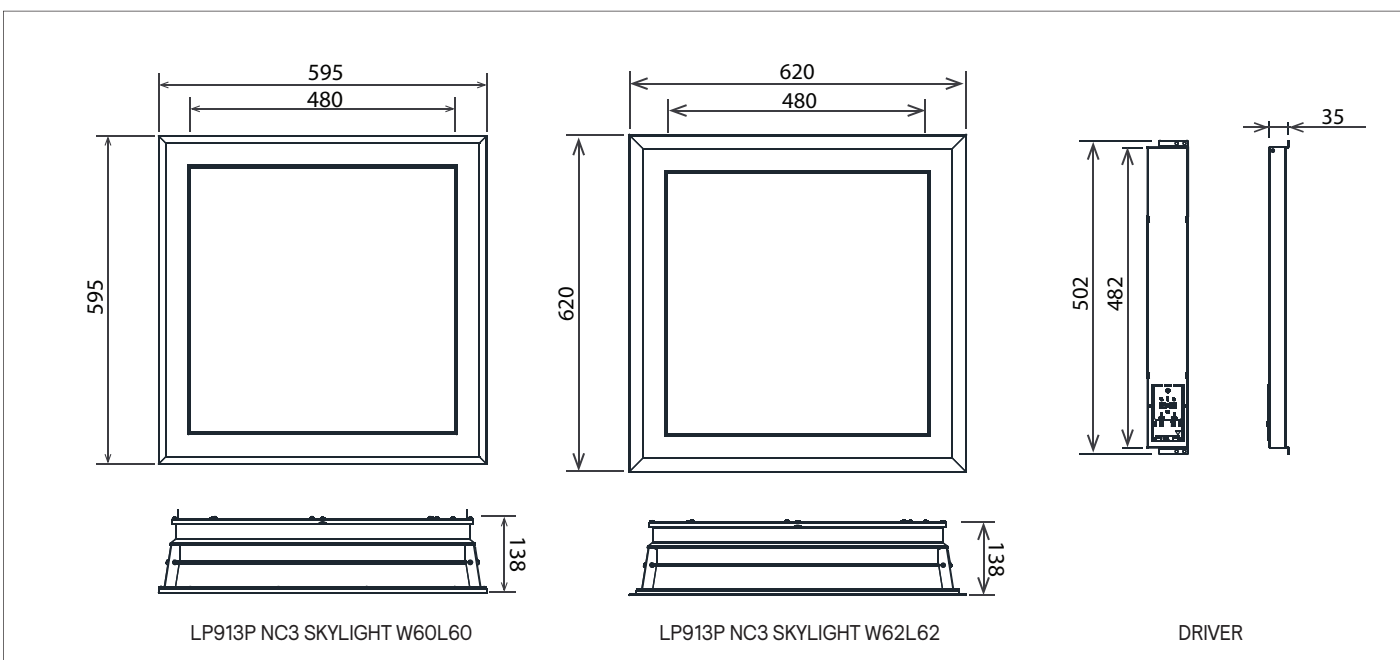
by Signify

NatureConnect skylight gen3

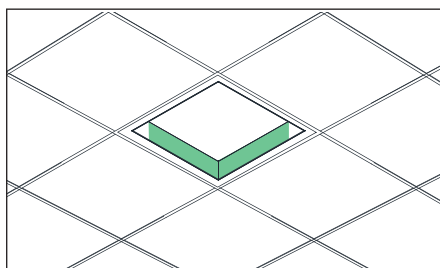
LP913P NC3 SKYLIGHT W60L60
LP913P NC3 SKYLIGHT W62L62






	Power	Current	Dimensions LxWxH	
LP913P NC3 SKYLIGHT W60L60			595x595x138 mm	
LP913P NC3 SKYLIGHT W62L62	73 W	0.3 A	620x620x138 mm	7 kg (+1.3 kg driver)



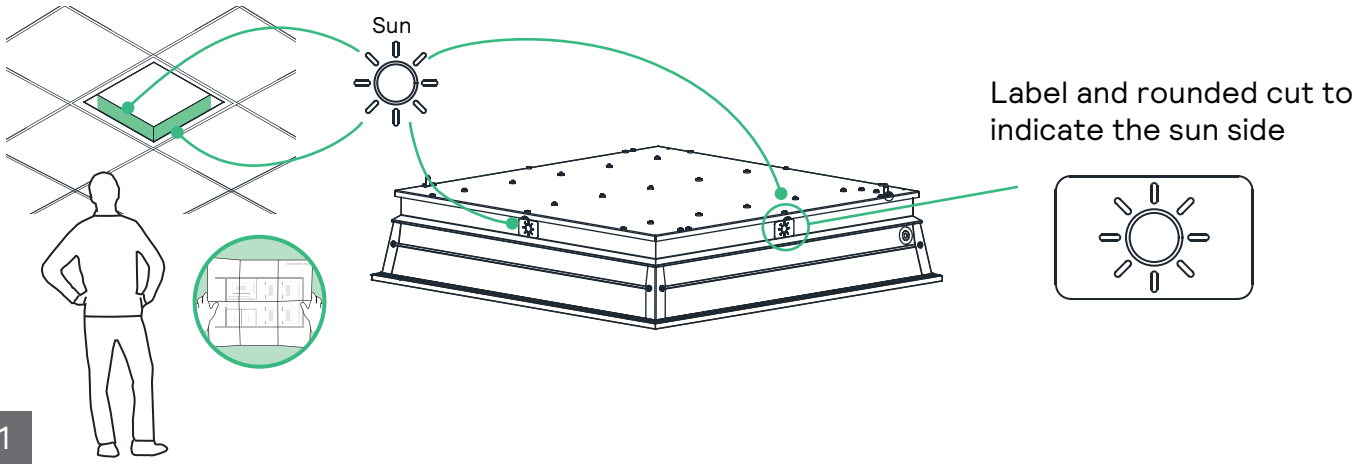
Recessed VPC



 Always use gloves when installing luminaire. 

 Do not put any pressure on the lens plate.

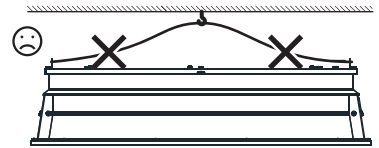
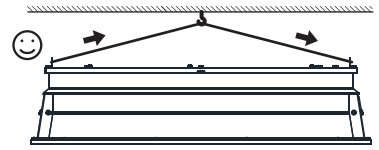
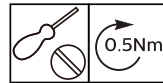
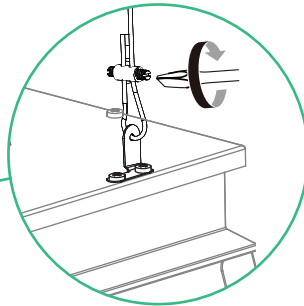
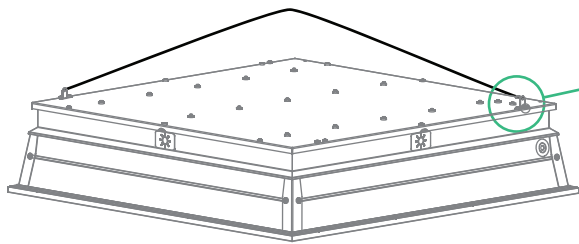
Determine orientation of the Skylight in the ceiling according to the lighting plan



1



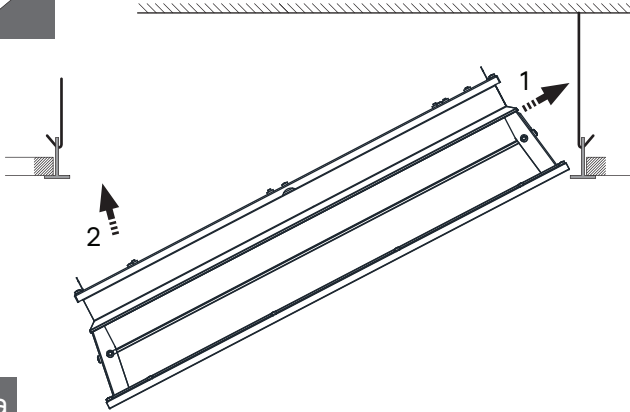
Safety cable



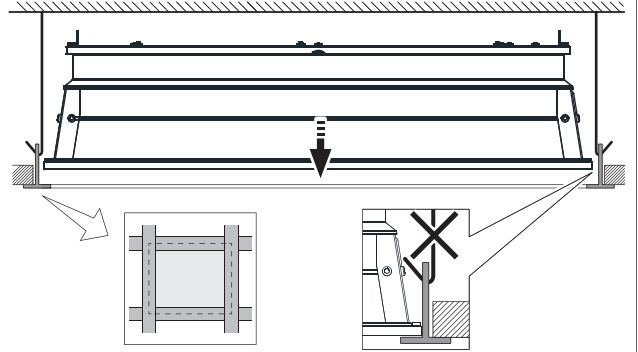
2



Recessed VPC (lay-in)



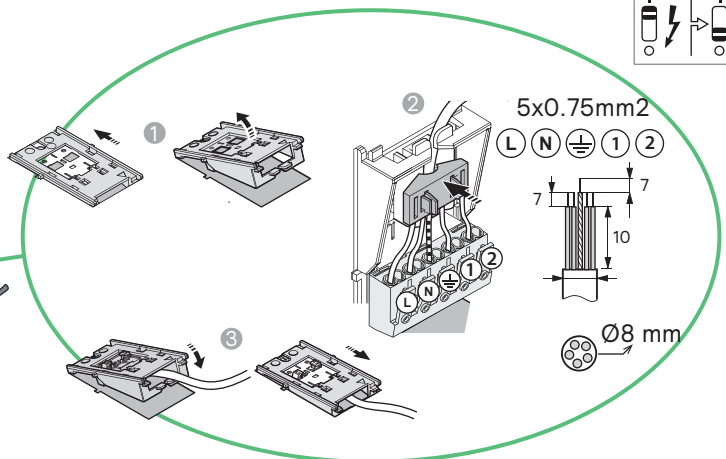
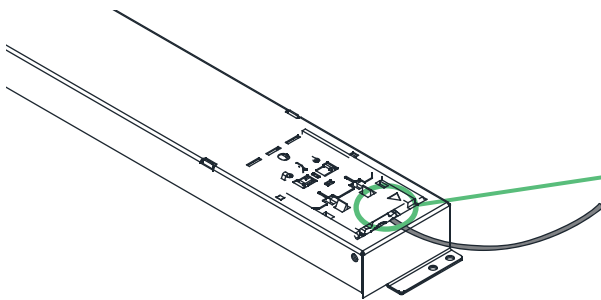
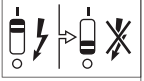
3a



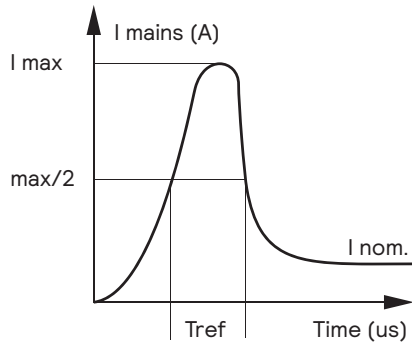
4a



Connection to mains and DALI



Inrush current



Electrical characteristics

I max (A)	25
T ref (Us)	258
MCB	Max n. of lumin.
B-10 A	9
B-16 A	17
C-10 A	17
C-16 A	29

Use QR code to download Commissioning guide and other information about NatureConnect.



<https://www.signify.com/global/innovation/natureconnect/download-assets>



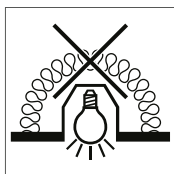
- Read these SAFETY PRECAUTIONS carefully. Strictly follow them during the installation work to protect yourself.
- Installation work must be performed by skilled persons. Improper or incompetent execution may cause injury, e.g. due to overturn of the luminaire.
- The luminaire shall be installed by a qualified electrician and wired in accordance with the latest IEE electrical regulations or the national electrical code.
- Make sure that the mains voltage is disconnected before installing or servicing the luminaire to avoid any risk of electric shock.
- Mounting of the luminaire is only allowed in ceilings that can support the weight of the luminaire (8.3 kg).
- Install the luminaire correctly according to the instructions in this manual. Wrong installation may cause injury due to the luminaire falling or may result in electric shock or fire hazard.
- Only use the original accessory parts inside the box.
- The product is partially IPX0 & as such it is not protected against water ingress & as such we strongly recommend to check the conditions of the environment in which the luminaire is being installed.
- If the above advice is not taken and the luminaire is subject to water ingress, warranty will become void.
- Always consult the manufacturer for repair or service. Do not repair the luminaire by yourself.
- During installation and maintenance please use gloves to avoid spots on the cover.
- To remove dust and spots use the following:
 - Dust: use micro fiber cloths only
 - Fingerprints, etc.: use a cleaner for synthetic materials with antistatic properties.
- The luminaire has basic insulation between the mains voltage (L-N) and the control conductors (DALI).



- The luminaire shall, under no circumstance, be covered with thermal insulation matting or similar material.

INFORMATION ON MINIMUM CLEARANCE DISTANCES (for Australia and New Zealand)

NatureConnect LP913P NC3 SKYLIGHT W60L60 and LP913P NC3 SKYLIGHT W62L62 are a Do-Not-Cover luminaire type.



Please note the following warnings for recessed application:

- **Australia and New Zealand**

WARNING – RISK OF OVERHEATING OR FIRE IF THE CLEARANCE DISTANCES ARE COMPROMISED.

Abbreviations (clearances):

1. HCB (Height clearance to building element)
Minimum distance as specified by the luminaire manufacturer between the top of the recessed luminaire and any building element above it.
2. MIC (Minimum insulation clearance)
Minimum distance as specified by the luminaire manufacturer between the top of the recessed luminaire and the building insulation above it.
3. SCB (Side clearance to building element)
Minimum distance between the side of the recessed luminaire and any building element as specified in AS/NZS 3000, or as specified by the luminaire manufacturer.
4. SCI (Side clearance to insulation)
Minimum distance as specified by the luminaire manufacturer between the recessed luminaire and any building insulation.

Minimum clearances requirements for LP913P NC3 SKYLIGHT W60L60 and LP913P NC3 SKYLIGHT W62L62 luminaires:

RISK OF FIRE — BUILDING INSULATION MUST NOT COVER THIS LUMINAIRE
HCB = 0 mm MIC = 10 mm SCB = 0 mm SCI = 0 mm

- **New Zealand (additional)**

WARNING – THIS LUMINAIRE IS NOT SUITABLE FOR INSTALLATION IN LOCATIONS WHERE THERMAL INSULATION IS PRESENT, OR MAY REASONABLY BE EXPECTED TO BE INSTALLED IN THE FUTURE, OR WHERE THERE IS A LIKELIHOOD OF OTHER COMBUSTIBLE MATERIAL, E.G. LEAVES OR VERMIN DEBRIS, ETC. COLLECTING ON OR AROUND THE LUMINAIRE. IT IS NOT SUITABLE FOR DOMESTIC INSTALLATIONS OR INSTALLATION IN RESIDENTIAL AREAS OF NON-DOMESTIC INSTALLATIONS (RESIDENTIAL INSTITUTIONS, HOTELS, BOARDING HOUSES, HOSPITALS, ACCOMMODATION HOUSES, MOTELS, HOSTELS AND THE LIKE).

© 2024 Signify Holding.

All rights reserved. The information provided herein is subject to change, without notice. Signify does not give any representation or warranty as to the accuracy or completeness of the information included herein and shall not be liable for any action in reliance thereon. The information presented in this document is not intended as any commercial offer and does not form part of any quotation or contract, unless otherwise agreed by Signify.
All trademarks are owned by Signify Holding or their respective owners.