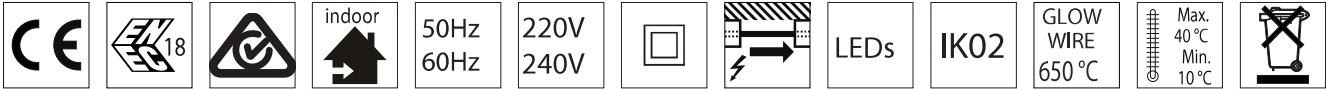
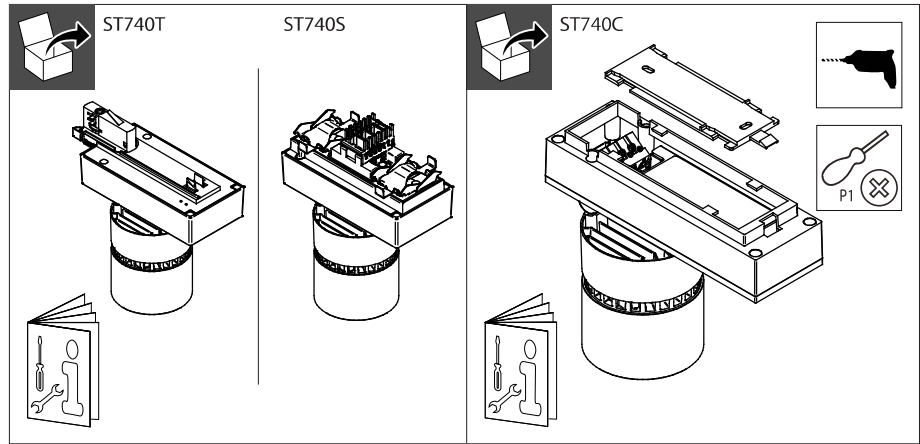


PHILIPS

StylID
Compact

ST740T/ST740S/ST740C



Housing	Lumen package	Color temperature	Driver Type	
ST740C ST740T ST740S	LED17S	827/830/840/930/CH/CRW/PW9	PSU/PSD-VLC	1,2
	LED19S	FMT/ROSE	PSU/PSD-VLC	1,2
	LED20S	827/830/840/930/PW9	PSU/PSD-VLC	1,2
	LED27S	827/830/840/930/CH/CRW/FR/PC9/PW9/ROSE	PSU/PSD-VLC	1,2
	LED39S	827/830/840/930/PW9	PSU/PSD-VLC	1,2
	LED49S	827/830/840/930/PW9	PSU/PSD-VLC	1,2

Product Info Label

Main dimensions

ST740C - Surface mounted

ST740T -DALI PULSE Track

ST740T - 3C track

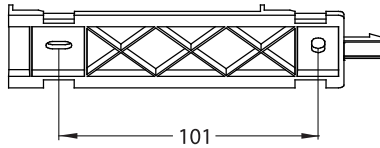
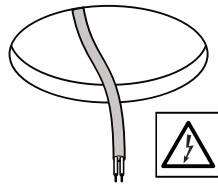
ST740S - MaxosFusion

LUMINAIRES MUST BE INSTALLED OUT OF ARM REACH DISTANCE/HEIGHT! THE SPOT HEAD CAN BE PERCEIVED AS HOT. ADJUST THE SPOTHEAD AFTER THE LUMINAIRE IS COOLED DOWN OR WHEN USING HEAT INSULATING GLOVES. LUMINAIRE CAN NOT BE OPENED, LIGHTSOURCE CAN NOT BE REPLACED!

Housing	Adapter type	Driver type	A(mm)	B(mm)	C(mm)	D(mm)	E(mm)
ST740C	Surface mounted	PSU	218	89	70	108	159
ST740T	GLOBAL Pulse Dali Track - GAC69	PSD-VLC	258	89	84	108	176
ST740T	GLOBAL Pulse Track - GA69	PSU	258	89	84	108	171
ST740S	MaxosFusion	PSU/PSD-VLC	170	89	84	108	170



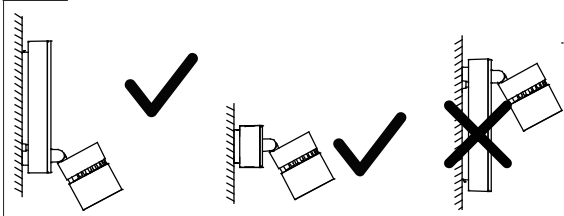
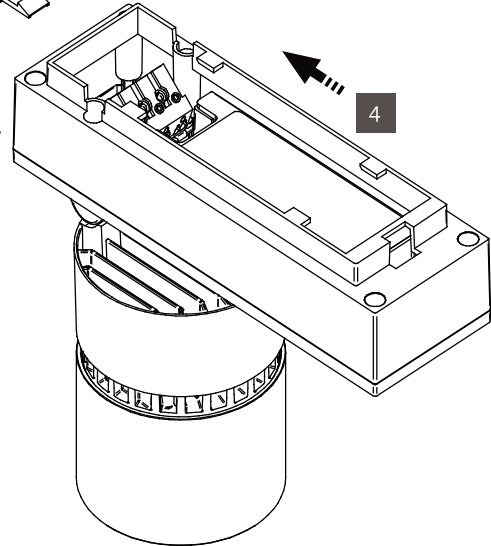
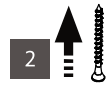
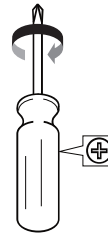
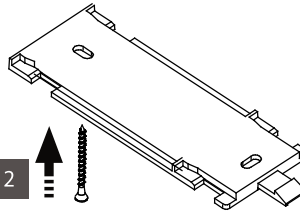
ST740C installation



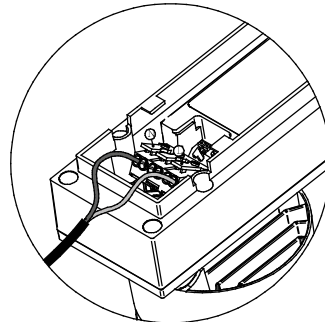
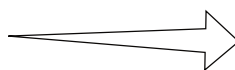
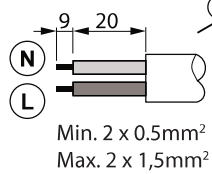
ø maximum 5mm



1



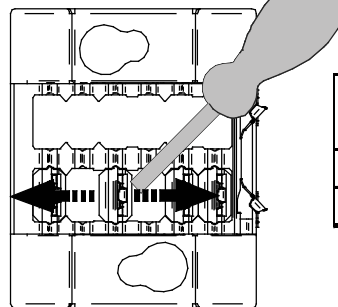
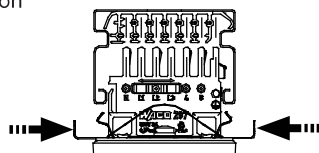
Mains cable (~220-240V):



3



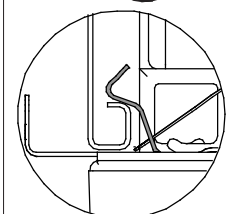
ST740S installation



N L1 L2 L3 4 5

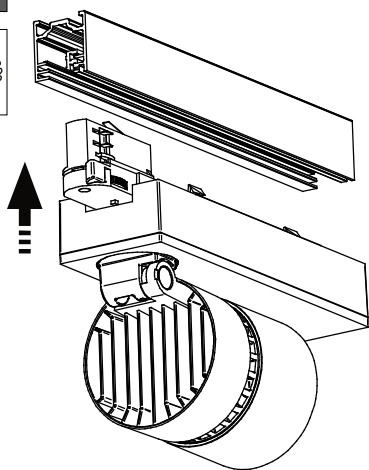
ST740S	Connector Pin					
	N	L1	L2	L3	4	5
PSU	X	S	X	S	-	-
PSD-VLC	X	S	X	S	X	X

X - Used
S - Selectable
-- Not used

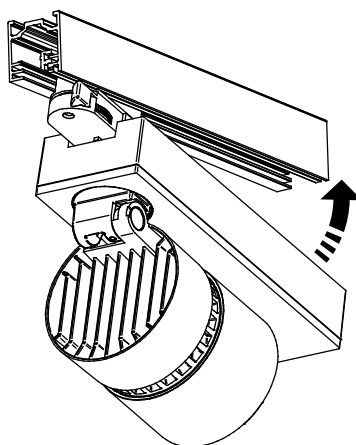




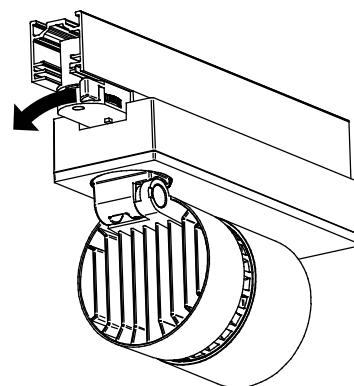
ST740T installation



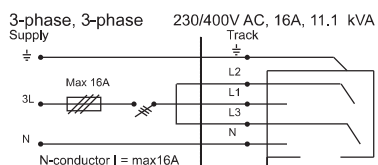
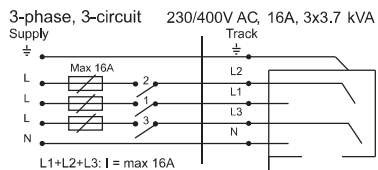
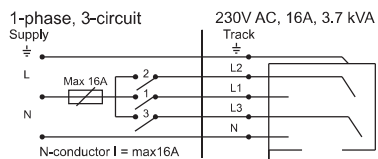
1



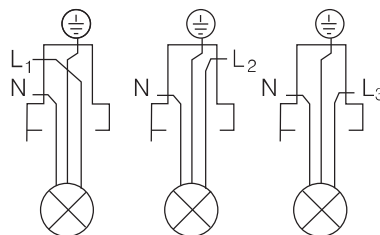
2



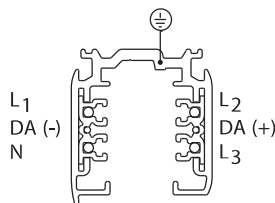
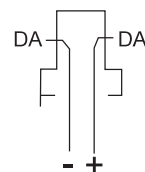
3



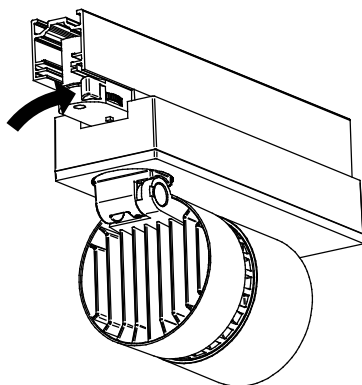
GA 69 & GAC69 Dali - 230 V, 6A



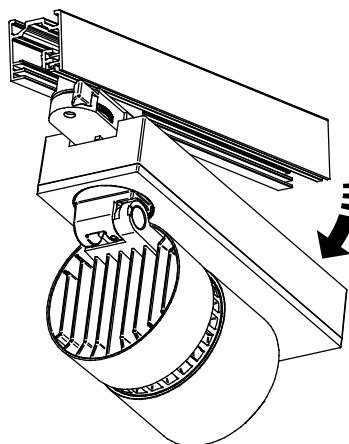
GAC69 Dali - 1A, 50V FELV



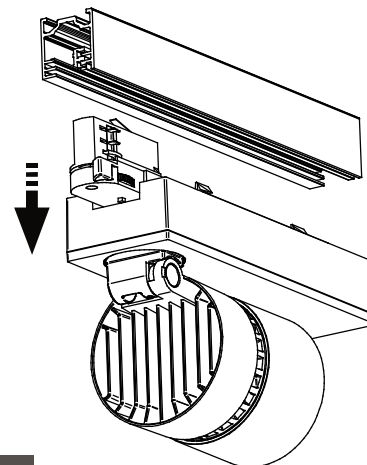
ST740T uninstallation



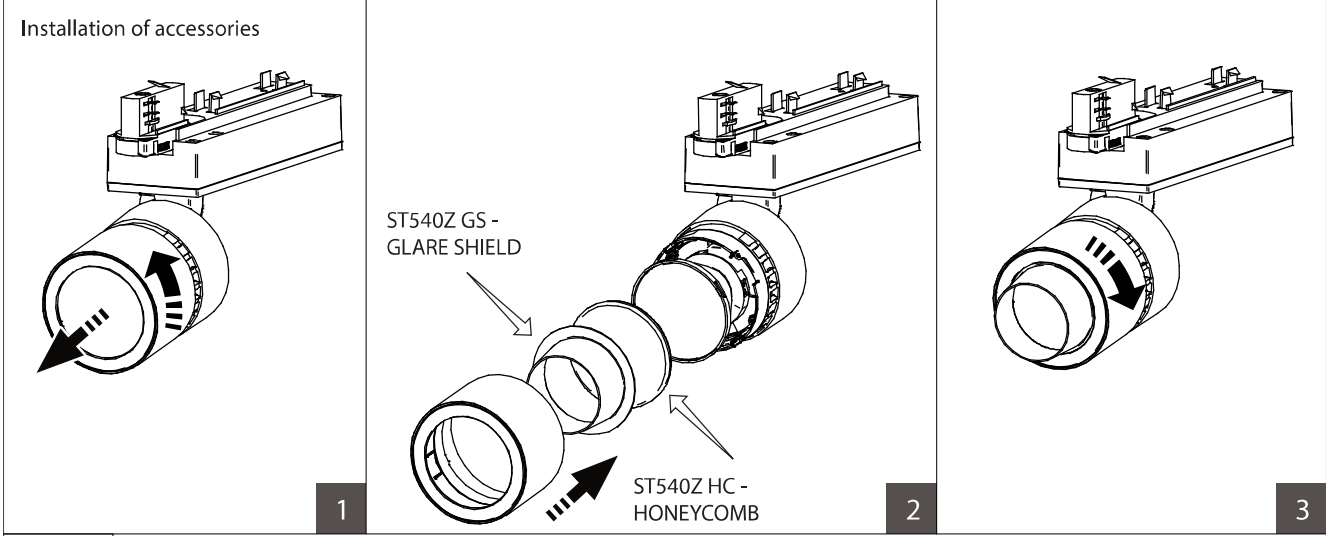
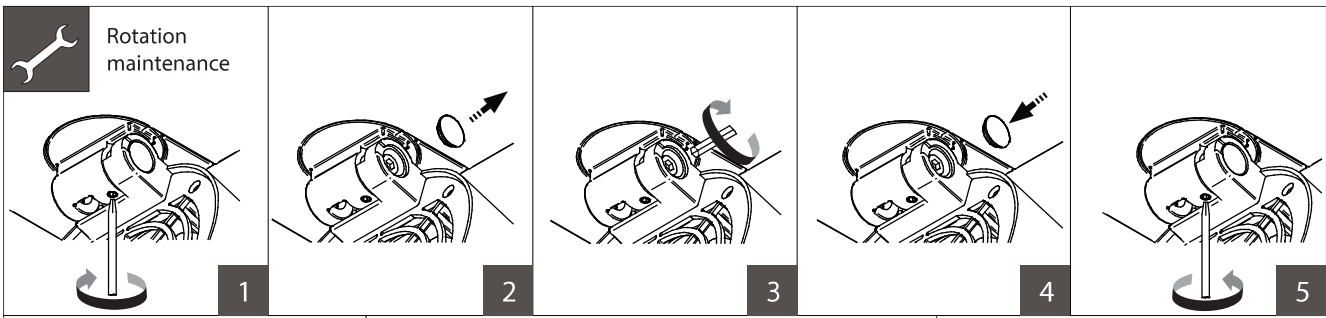
1



2

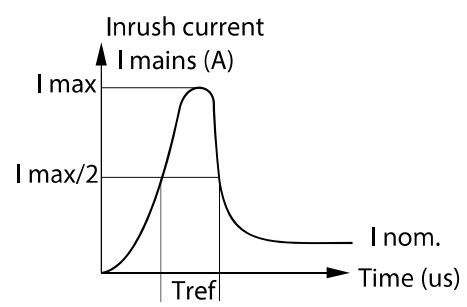


3



Xtitanium 36W/m 0,3-1,05A 48V 230V (PSU)			Xtitanium 50W/m 0,5-1,5A 48V 230V (PSU)			XITANIUM 36W WH 0,3-1A 54V TD/IS CL (PSD-VLC)			XITANIUM 50W WH 0,7-1,5A 54V TD/IS CL (PSD-VLC)		
Lum. Pack	CCT	Inom. (A)	Lum. Pack	CCT	Inom. (A)	Lum. Pack	CCT	Inom. (A)	Lum. Pack	CCT	Inom. (A)
LED17S	CRW	0,093	LED39S	930/PW9	0,162	LED17S	CRW	0,093	LED39S	930/PW9	0,162
LED19S	FMT	0,128	LED39S	PC9	0,183	LED19S	FMT	0,128	LED39S	PC9	0,183
LED19S	ROSE	0,092	LED49S	827/830/840	0,174	LED19S	ROSE	0,092	LED49S	827/830/840	0,174
LED20S	827/830/840	0,091	LED49S	930	0,208	LED20S	827/830/840	0,091	LED49S	930	0,208
LED20S	930/PW9	0,111				LED20S	930/PW9	0,111			
LED27S	PW9/930	0,118				LED27S	827/830/840	0,093			
LED27S	ROSE	0,129				LED27S	CHFR	0,093			
LED27S	PC9	0,13				LED27S	PW9/930	0,118			
LED27S	CRW	0,148				LED27S	ROSE	0,129			
						LED27S	PC9	0,13			
						LED27S	CRW	0,148			
						LED39S	827/830/840	0,122			
I_{max} (A)		18	I_{max} (A)		18	I_{max} (A)		20,4	I_{max} (A)		24,9
T_{ref} (us)		250	T_{ref} (us)		250	T_{ref} (us)		195	T_{ref} (us)		186
MCB	Max. Products (pcs)*		MCB	Max. Products (pcs)*		MCB	Max. Products (pcs)*		MCB	Max. Products (pcs)*	
B-16A	34		B-16A	30		B-16A	24		B-16A	7	

Xtitanium 20W/m 0,15-0,5A 48V 230V (PSU)			XITANIUM 20W WH 0,15-0,5A 54V TD/IS CL (PSD-VLC)			Xtitanium 28W/m 0,6A 46V SC 230V (PSU)			Xtitanium 34W/m 0,8A 42V SC 230V (PSU)		
Lum. Pack	CCT	Inom. (A)	Lum. Pack	CCT	Inom. (A)	Lum. Pack	CCT	Inom. (A)	Lum. Pack	CCT	Inom. (A)
LED17S	827/830/840/CH	0,06	LED17S	827/830/840/CH	0,06	LED27S	827/830/840	0,093	LED39S	827/830/840	0,122
LED17S	930/PW9	0,073	LED17S	930/PW9	0,073	LED27S	CHFR	0,093			
I_{max} (A)		18	I_{max} (A)		20,4	I_{max} (A)		6,1	I_{max} (A)		11
T_{ref} (us)		250	T_{ref} (us)		195	T_{ref} (us)		310	T_{ref} (us)		306
MCB	Max. Products (pcs)*		MCB	Max. Products (pcs)*		MCB	Max. Products (pcs)*		MCB	Max. Products (pcs)*	
B-16A	34		B-16A	24		B-16A	34		B-16A	34	



*According to:
IEC60555 test conditions