

CoreLine Wall-mounted WL120V Emergency Lighting(EL3) & Movement Detection Unit(MDU)

Mounting instructions

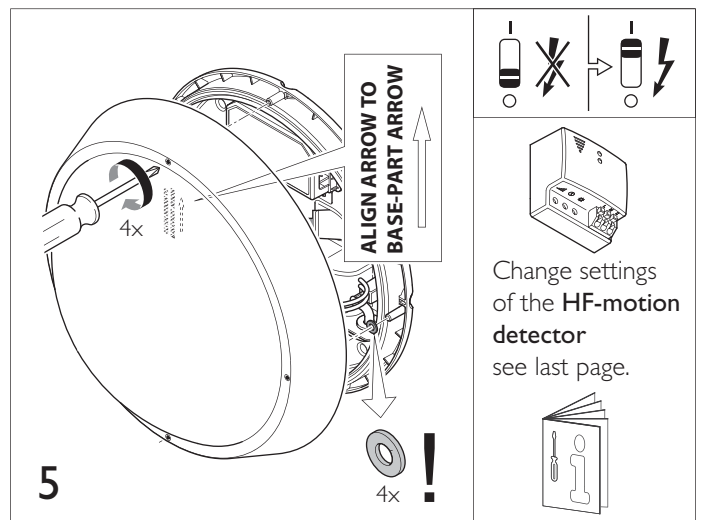
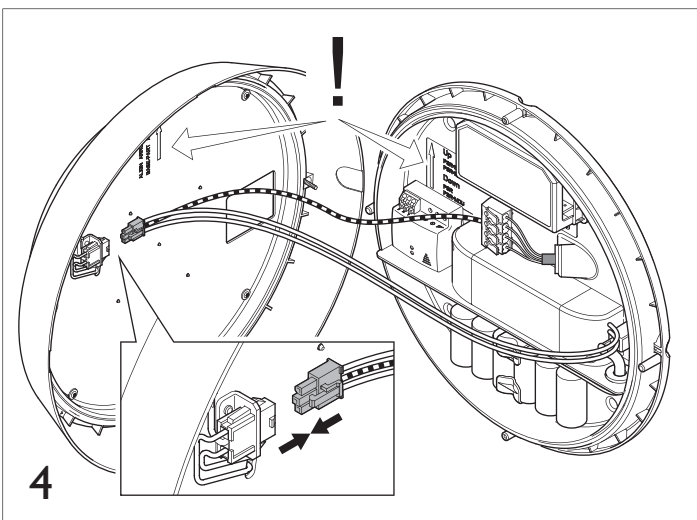
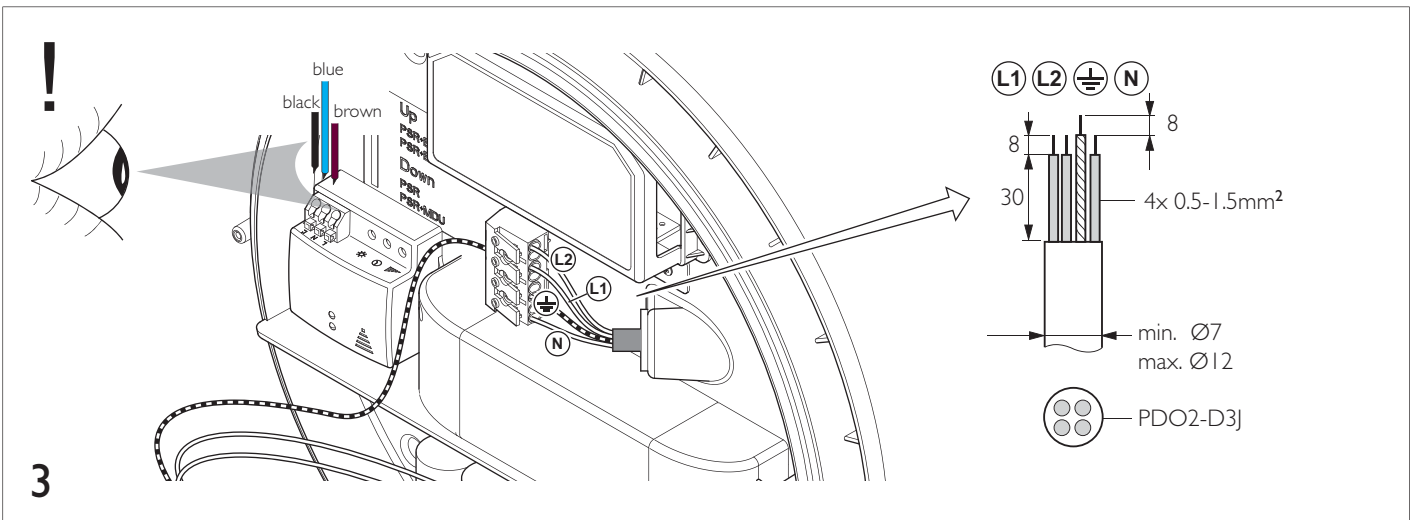
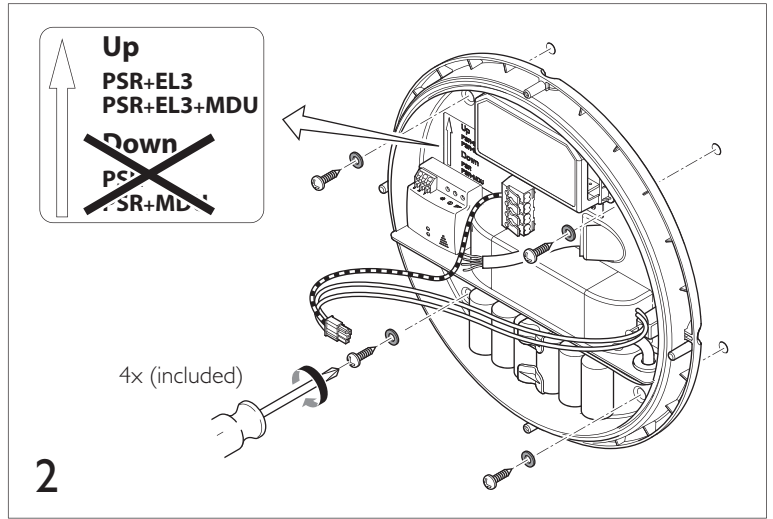
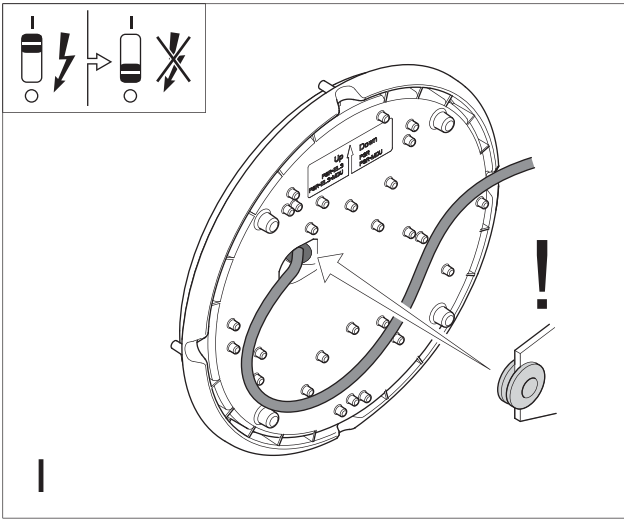
Instructions de montage
Montageanleitung
Montage instructie
Istruzioni di montaggio

Instrucciones de montaje
Instruções de montagem
Monteringsinstruktioner
Monteringsvejledning

Kokoonpano- ja kiinnitysohjeet
Montaj yönergesi
ΟδηγίεςX τήξεασομότηθηX
Instrukcja montażu

Szerelési utasítások
Návod k montáži
bycnerwbz gj vjynf.e
Návod k montáži

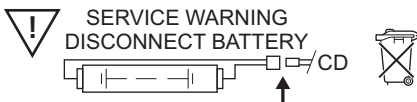
	Flux(Lm)	Flux EL3(Lm)	CCT	P(W)	kg	↑	←	IP..	IK..
WL120V LED16S / PSR EL3	1600	230	3000K / 4000K	24	1.93	max. 25 °C 0 °C	max. 25 °C 0 °C	65	10
WL120V LED16S / PSR EL3 MDU			3000K / 4000K	24	2.03				
WL120V LED12S / PSR EL3	1200	230	3000K / 4000K	18	1.93				
WL120V LED12S / PSR EL3 MDU			3000K / 4000K	18	2.03				



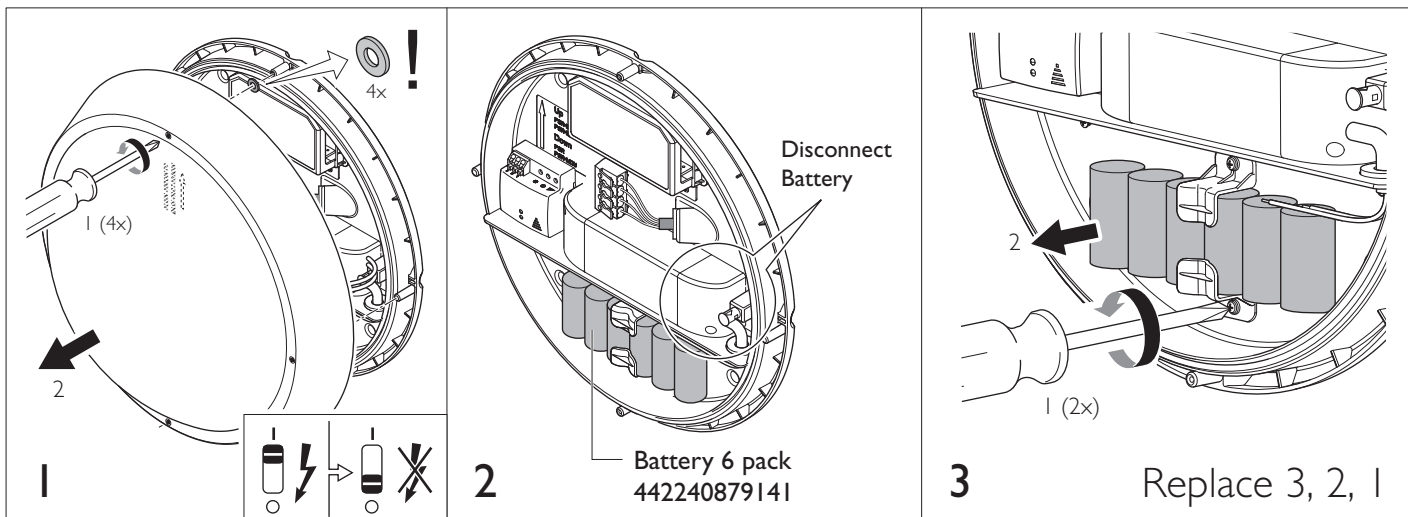
Green status LED indication:

- ON = mains connected / batteries charging / batteries charged / battery ok
- OFF = no mains / no battery / battery failure / emergency mode activated
- BLINKING = emergency mode suspended for maintenance

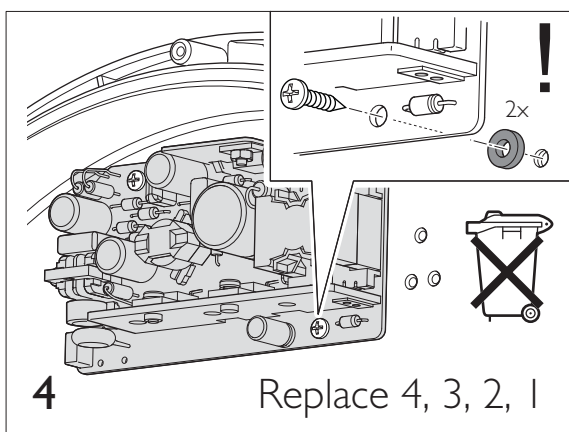
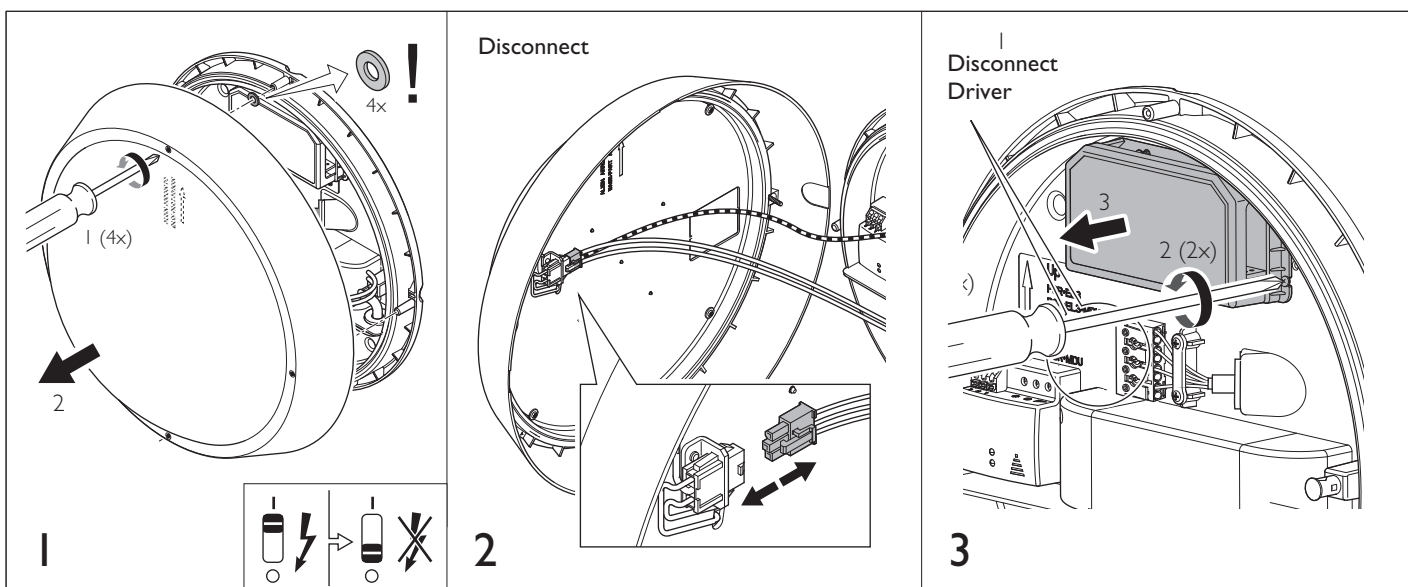
	1200Lm	1600Lm
Electrical Characteristics		
Inom (A)	0.10	0.04
Imax (A)	22	22
Tref (µs)	320	320
MCB Luminaires Max.		
B-10A	9	9
B-16A	15	15
C-10A	15	15
C-16A	25	25



Replacement Battery

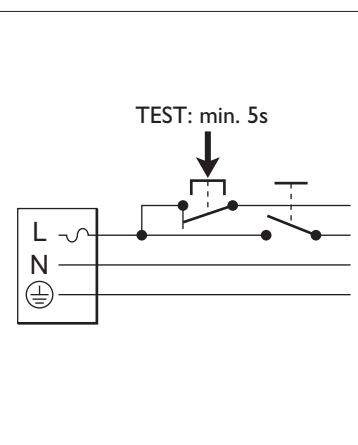


Replacement Driver



Charge time

Number of LED's	Number of cells	Nominal pack voltage(V)
LED12S	6x1.2V	7.2
LED16S	6x1.2V	7.2



Maintenance instructions

There are a few instructions regarding the maintenance of this LED luminaire. This is to assure the lighting quality of this unique LED lighting concept.

- Do not touch electronic components! Electronic components are under high voltage.
- Do not stare into LED light beam.
- The luminaire shall be installed by a qualified electrician and wired in accordance with the latest EEE electrical regulations or the national requirements.
- Above average concentration of sulfur affects the useful lifetime of the product. E.g. Light color changes from white to blue. Typically in chicken & pig farms.
- Periodic tests should be performed according to EN 50172:2004, clause 7.2.3 and 7.2.4. Each month the driver is running in emergency mode for 30 seconds. Once a year a full discharge cycle of at least 1 hr. or 3 hrs. (depending on product installed) should be performed.



HF-MOTION DETECTOR

OPERATING MANUAL

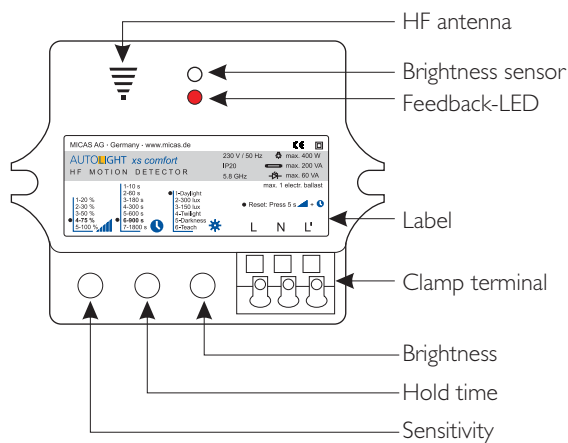


Figure 1: Description of the device

FUNCTIONS

DETECTION

When the device detects movements within the detection field, the luminaire is automatically switched on for a defined dwell time.

TECHNICAL DATA

Sensor

Sensor principle

HF-motion detector

Frequency range

5.8 GHz +/- 75 MHz

Radiated power

< 5 mW

Detection field

Range

Up to 10 m (at 100% sensitivity, frontal, sensor uncovered)

Detection angle

Approx. 120° (depending on the cover)

Detection triggering speed

0.3 ... 3 m/s (1 ... 10 km/h)

Operating conditions

Mounting height

Max. 2.70m (wall mounting),
max. 4.00 m (ceiling mounting)

SETTINGS

AUTOLIGHTxs comfort has the following factory settings(see bullets on label):

- Sensitivity / Range 75 %
- Dwell time 900 s
- Twilight level: daylight

All factory or all individual settings are retained even after loss of power. By simultaneous pressing of „Sensitivity“ and „Dwell time“ for 5 s, current settings can be reset to the factory settings.

INDIVIDUAL SETTINGS

Pressing a button advances the respective function to the next step. (LED flashes for acknowledgement)

With multiple consecutive keystrokes it is possible to switch a function by multiple steps without waiting for the blinking sequence after each step ("fast track"). After the highest level, the setting recommences with "Step 1".

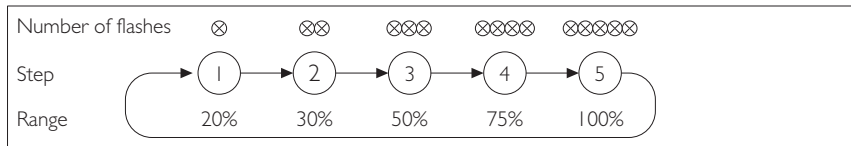


Figure 2: Setting of Sensitivity / Range (Button 1)

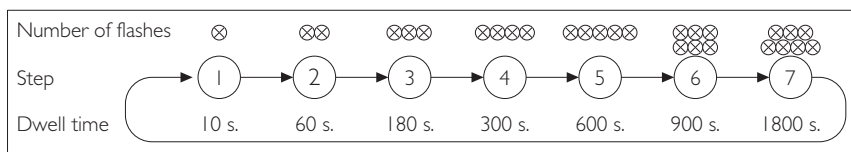


Figure 3: Setting of Dwell time (Button 2)

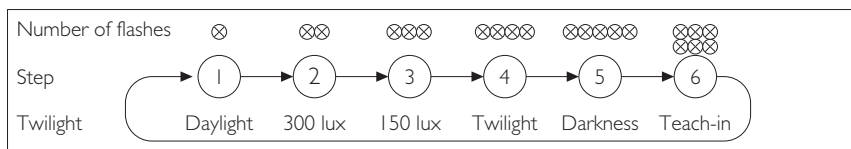


Figure 4: Setting of Twilight (Button 3)

The „Teach-in mode“ is activated by pressing button 3 (Twilight) for longer than 3 s. It is indicated visually by continuous slow flashing. After two minutes the current twilight value is measured for one minute. The LED flashes faster. On completion of this process the currently measured brightness value is saved as the threshold setting in AUTOLIGHTxs comfort and is available as the twilight value for step 6.

DAYLIGHT SENSOR

AUTOLIGHTxs comfort is fitted with a daylight sensor, which can be adjusted using the following steps:

- „Daylight“: The consumer can be triggered at any time, even in daylight.
- „300 Lux“: The consumer can be triggered when the ambient is less than approx. 300 Lux.
- „150 Lux“: The consumer can be triggered when the ambient is less than approx. 150 Lux.
- „Twilight“: The consumer can be triggered only at twilight of less than approx. 50 Lux.
- „Darkness“: The consumer can be triggered only in darkness less than approx. 5 Lux.
- „Teach-in“: The sensor switch-on value calibrated for the consumer as the current brightness or less.