

Optional

Installation Mode: Suspension

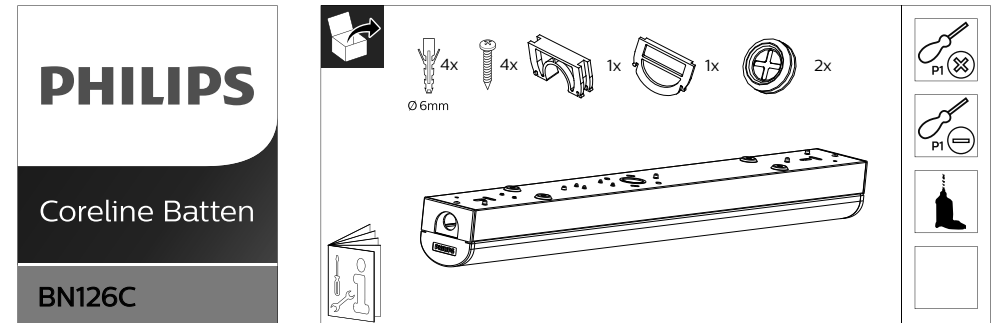
12NC: 911401776802

Description: BN126Z SC

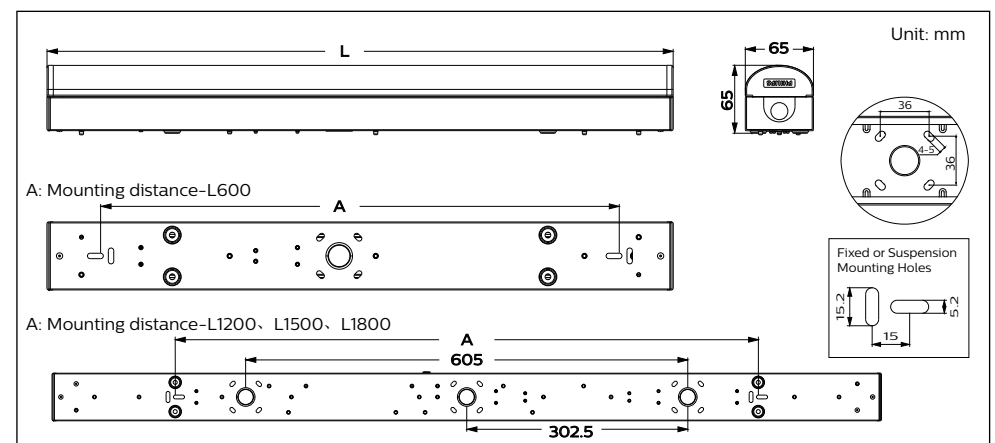
EOC: 871016336574999

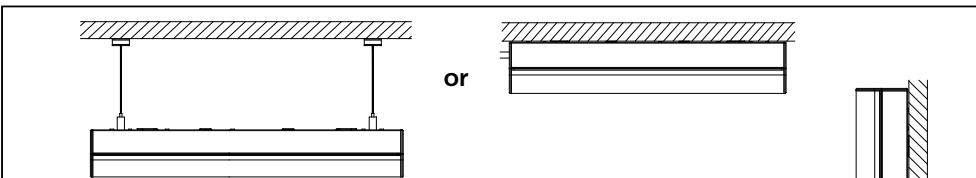
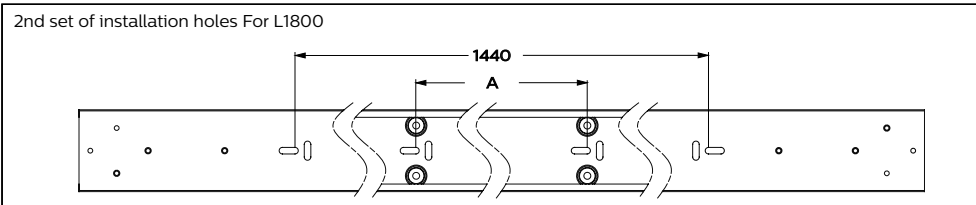
Suspension Wire: 1m
See step 2.2 for installation

© 06/2022 Signify Holding.
All rights reserved. This document contains information relating to the product portfolio of Signify which information may be subject to change. No representation or warranty as to the accuracy or completeness of the information included herein is given and any liability for any action in reliance thereon is disclaimed. The information presented in this document is not intended as any commercial offer and does not form part of any quotation or contract Philips and the Philips Shield Emblem are registered trademarks of Koninklijke Philips N.V.. All other trademarks are owned by Signify Holding or their respective owners.



Type	Energy efficiency class	P (W)	A (mm)	L (mm)	kg
BN126C LED22S/840 PSU L600	D	17	497	600	0.62
BN126C LED20S/830 PSU L600	D	17	497	600	0.62
BN126C LED25S/840 PSU L1200	D	18	798	1135	1.01
BN126C LED23S/830 PSU L1200	D	18	798	1135	1.01
BN126C LED41S/840 PSU L1200	D	31	798	1135	1.01
BN126C LED38S/830 PSU L1200	D	31	798	1135	1.01
BN126C LED64S/840 PSU L1200	D	49	798	1135	1.01
BN126C LED60S/830 PSU L1200	D	49	798	1135	1.01
BN126C LED35S/840 PSU L1500	D	25.5	798	1450	1.27
BN126C LED32S/830 PSU L1500	D	25.5	798	1450	1.27
BN126C LED52S/840 PSU L1500	D	40	798	1450	1.27
BN126C LED48S/830 PSU L1500	D	40	798	1450	1.27
BN126C LED80S/840 PSU L1500	D	59	798	1450	1.27
BN126C LED74S/830 PSU L1500	D	59	798	1450	1.27
BN126C LED64S/840 PSU L1800	D	49	798	1750	1.53
BN126C LED60S/830 PSU L1800	D	49	798	1750	1.53
BN126C LED100S/840 PSU L1800	D	75	798	1750	1.53
BN126C LED94S/830 PSU L1800	D	75	798	1750	1.53





! -The luminaire shall be installed by a qualified electrician and wired in accordance with the latest IEE electrical regulations or the national requirements.
 - The light source of this luminaire is not replaceable; when the light source reaches its end of life the whole luminaire shall be replaced.
 - Luminaire must not be used or stored in corrosive environment where hazardous materials such as sulphur, chlorine, phthalates, etc. are present.
 -This luminaire is not suitable for use as emergency lighting.
 -Water entering into IP20 luminaire is strictly prohibited. IP20 luminaire is not protected against wet condition, water ingress may cause electrical failure or unsafe conditions

ATTENTION
OBSERVE PRECAUTIONS
FOR HANDLING
ELECTROSTATIC
SENSITIVE
DEVICES

