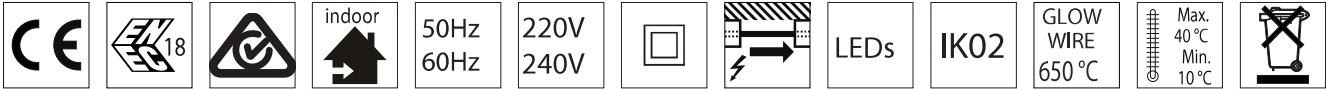
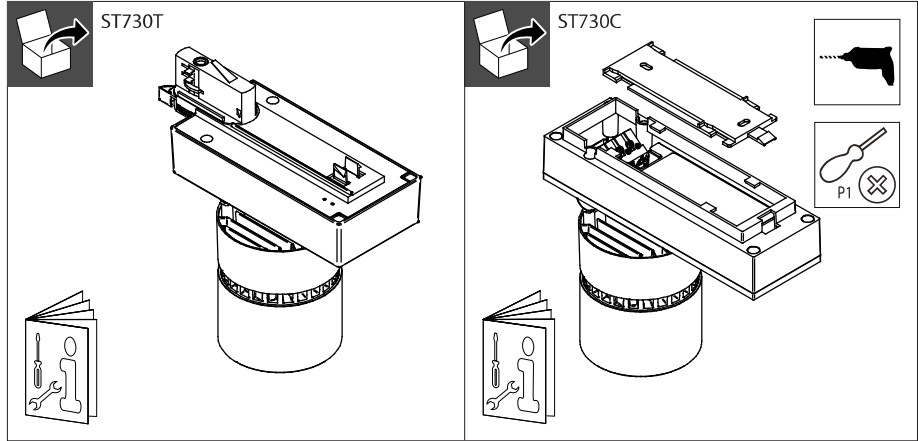


PHILIPS

StyIID
Mini

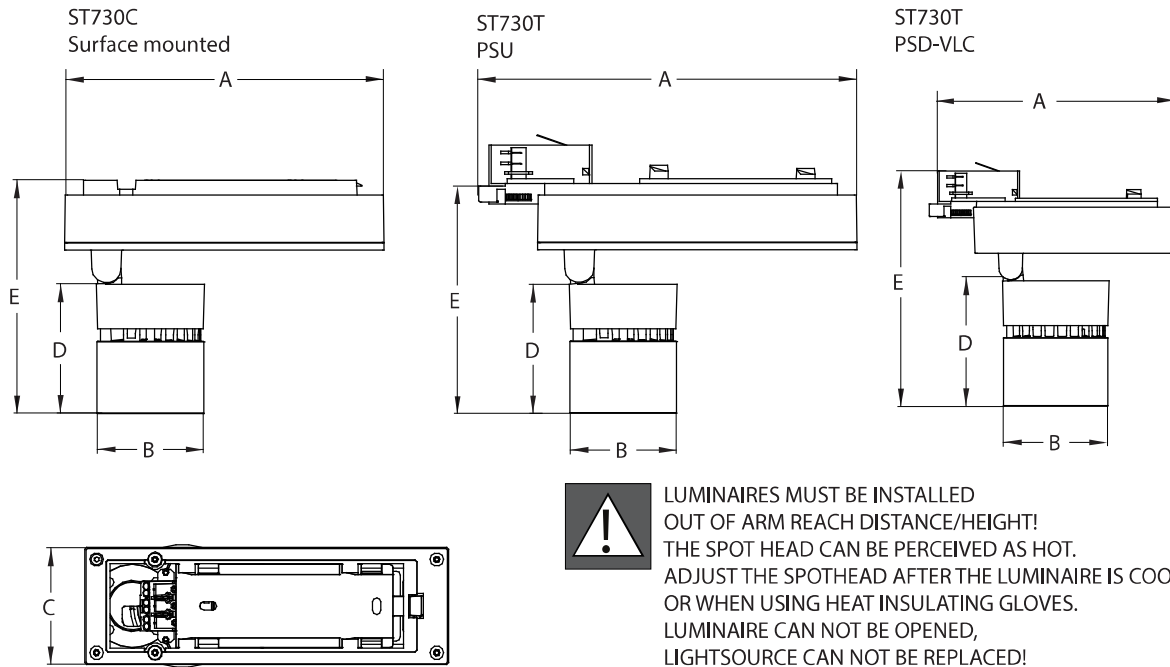
ST730T/ST730C



Housing	Lumen package	Color temperature	Driver Type	kg
ST730C StyIID Mini Surface mounted	LED11S	827	PSU	0,8
	LED11S	830	PSU	0,8
	LED11S	840	PSU	0,8
	LED11S	930	PSU	0,8
	LED11S	CRW	PSU	0,8
ST730T StyIID Compact Track mounted	LED11S	827	PSU/PSD-VLC	0,8
	LED11S	830	PSU/PSD-VLC	0,8
	LED11S	840	PSU/PSD-VLC	0,8
	LED11S	930	PSU/PSD-VLC	0,8
	LED11S	CRW	PSU/PSD-VLC	0,8

Product Info Label

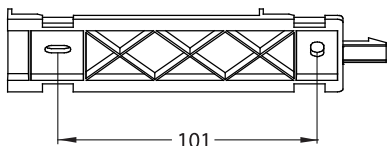
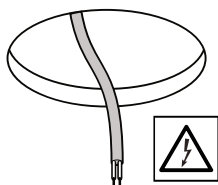
Main dimensions



Housing	Adapter type	Driver type	A(mm)	B(mm)	C(mm)	D(mm)	E(mm)
ST730C	Surface mounted	PSU	218	73	70	88	159
ST730T	GLOBAL 3C DALI Track - GAC69	PSD-VLC	202	73	82	88	159
ST730T	GLOBAL 3C Track - GA69	PSU	258	73	70	88	171



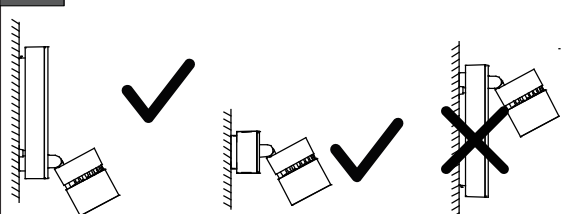
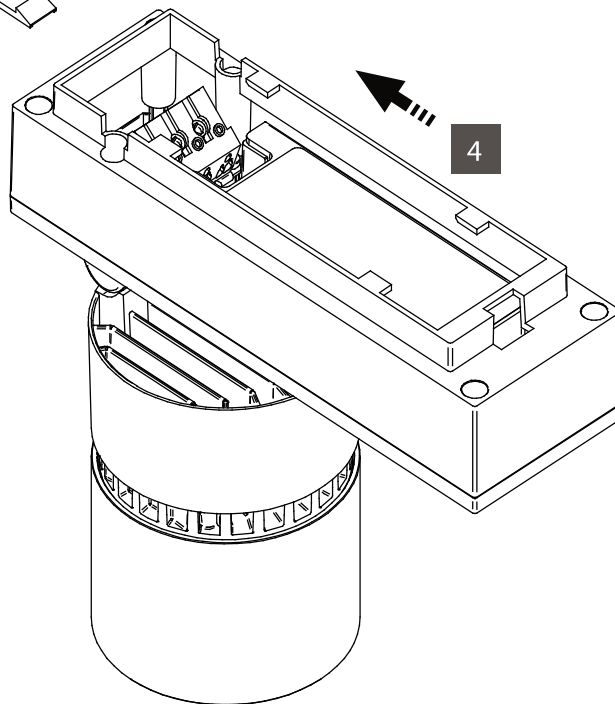
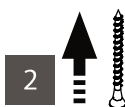
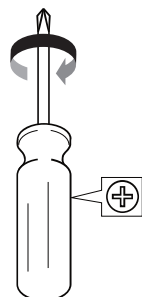
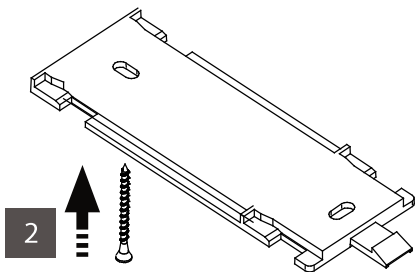
ST730C installation



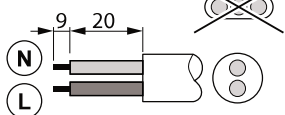
ø maximum 5mm



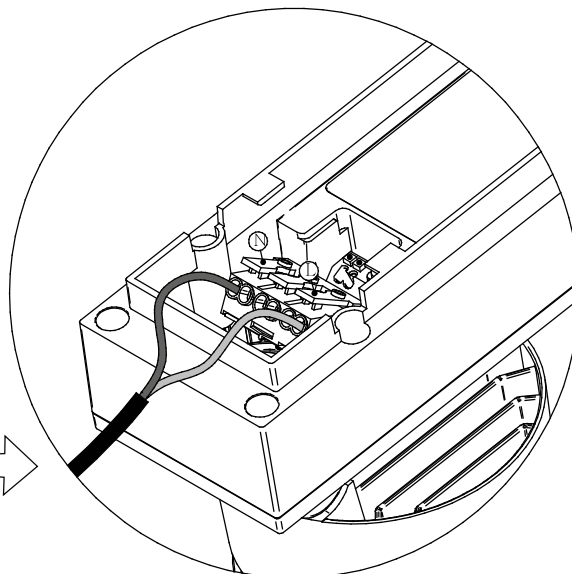
1



Mains cable (~220-240V):



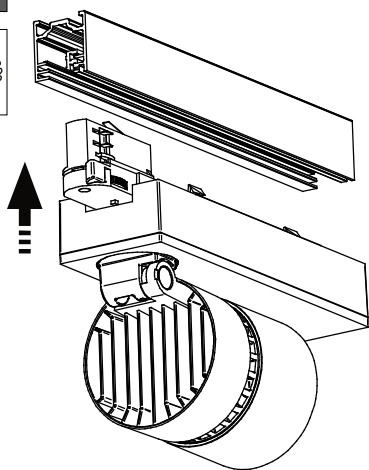
Min. 2 x 0,5mm²
Max. 2 x 1,5mm²



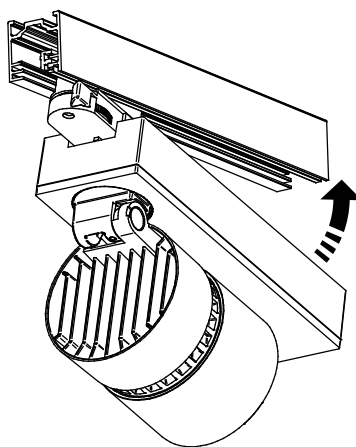
3



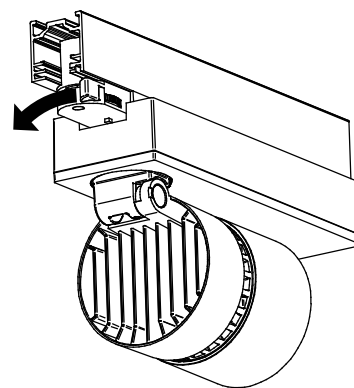
ST730T installation



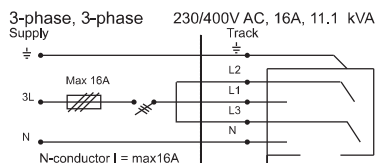
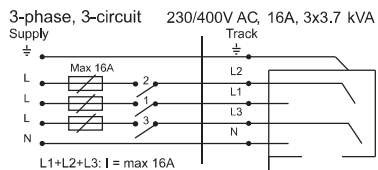
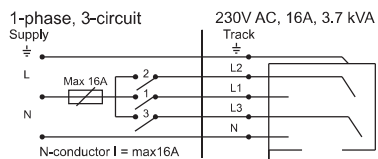
1



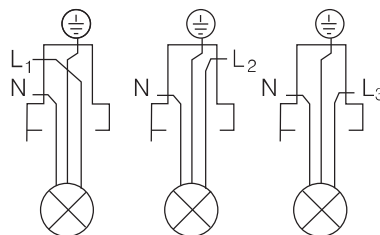
2



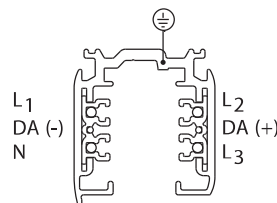
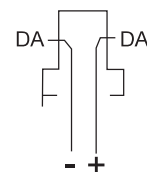
3



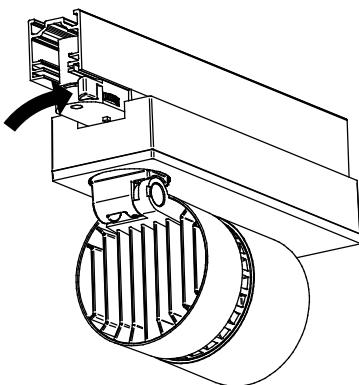
GA69&GAC69 Dali - 230 V, 6A



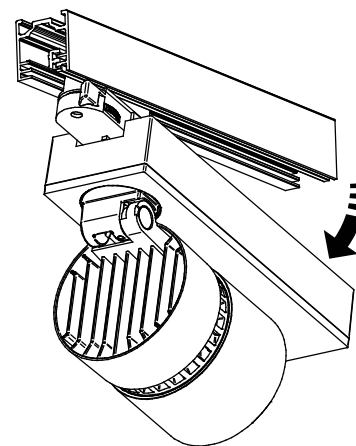
GAC69 Dali - 1A, 50V FELV



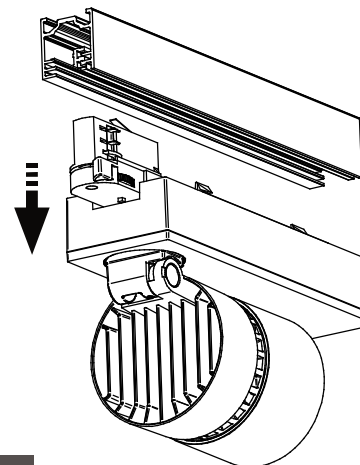
ST730T uninstallation



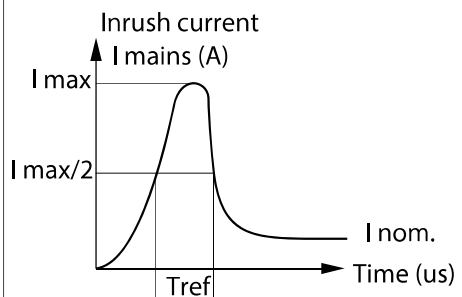
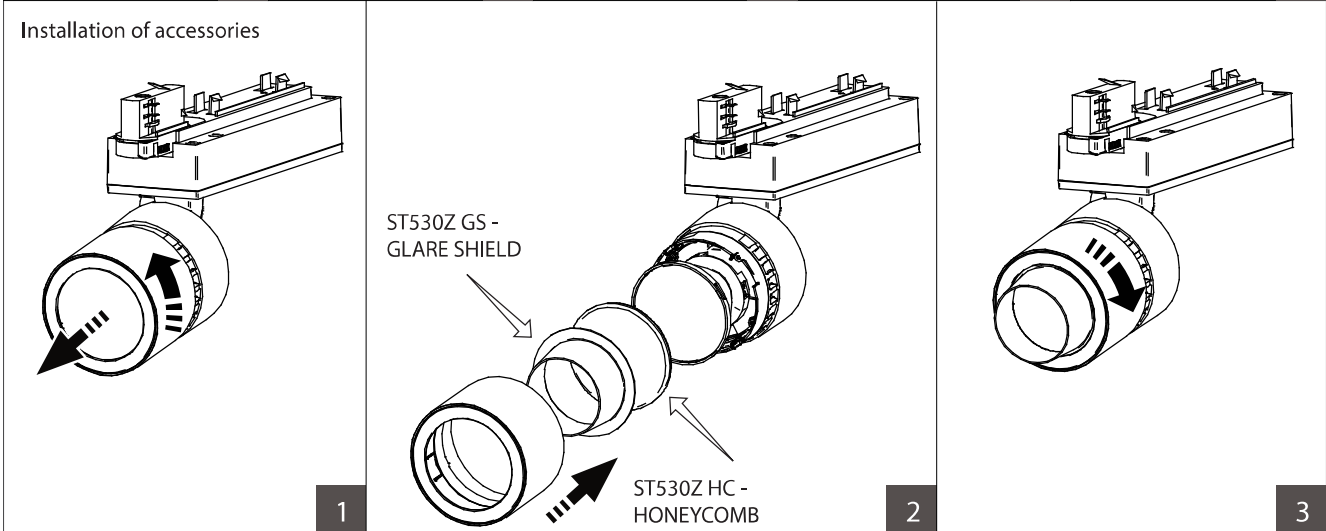
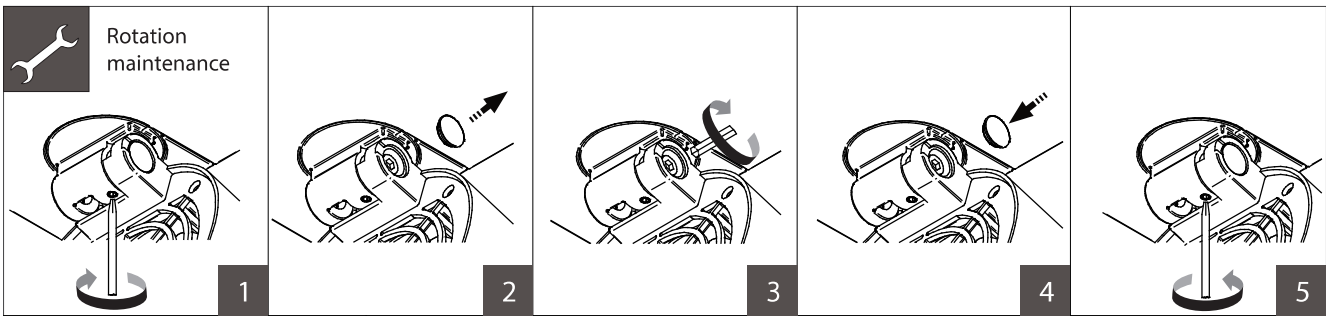
1



2



3



XITANIUM 20W WH 0.15-0.5A 54V TD/IS CL (PSD-VLC)		
Lum. Pack	CCT	Inom. (A)
LED12S (NB)	827/830/840	0,049
LED12S (NB)	930	0,06
LED12S (MB,WB)	827/830/840	0,045
LED12S (MB,WB)	930	0,052
LED12S (MB,WB)	CRW	0,65
I_{max} (A)	20,4	
T_{ref} (us)	195	
MCB	Max. Products (pcs)*	
B-16A	24	

Xitanium 36W WH 0.3-1A 54V TD/Is CL 230V (PSU-VLC)		
Lum. Pack	CCT	Inom. (A)
LED12S (NB)	CRW	0,095
I_{max} (A)	20,4	
T_{ref} (us)	195	
MCB	Max. Products (pcs)*	
B-16A	24	

*According to:
IEC60555 test conditions

Xitanium 20W/m 0.15-0.5A 48V 230V (PSU)		
Lum. Pack	CCT	Inom. (A)
LED12S (NB)	827/830/840	0,049
LED12S (NB)	930	0,06
LED12S (MB,WB)	827/830/840	0,045
LED12S (MB,WB)	930	0,052
LED12S (MB,WB)	CRW	0,65
I_{max} (A)	18	
T_{ref} (us)	250	
MCB	Max. Products (pcs)*	
B-16A	34	

Xitanium 36W/m 0.3-1.05A 48V 230V (PSU)		
Lum. Pack	CCT	Inom. (A)
LED12S (NB)	CRW	0,095
I_{max} (A)	18	
T_{ref} (us)	250	
MCB	Max. Products (pcs)*	
B-16A	34	