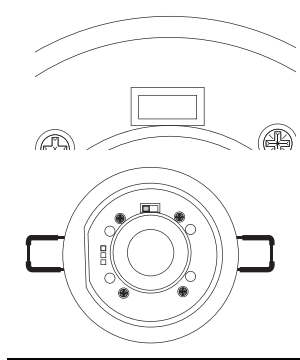


3

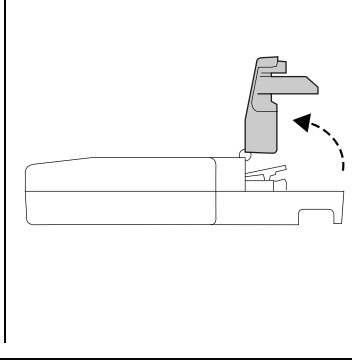
	Hold Time		Sensitivity		Lux		Standby					
	1	2	3	4	5	6						
I	<input type="radio"/>	<input type="radio"/>	30s	I	<input type="radio"/>	<input type="radio"/>	25%	I	<input type="radio"/>	Night	<input type="radio"/>	Off
II	<input type="radio"/>	<input checked="" type="radio"/>	1min	II	<input type="radio"/>	<input checked="" type="radio"/>	50%	⚙️ II	<input checked="" type="radio"/>	Day	⚙️ <input checked="" type="radio"/>	On
III	<input checked="" type="radio"/>	<input type="radio"/>	2min	III	<input checked="" type="radio"/>	<input type="radio"/>	75%					
⚙️ IV	<input checked="" type="radio"/>	<input checked="" type="radio"/>	3min	⚙️ IV	<input checked="" type="radio"/>	<input checked="" type="radio"/>	100%					



START Spot PIR Bezel

5b START Spot Non PIR Bezel

0005583 - WHT
0005584 - BLK



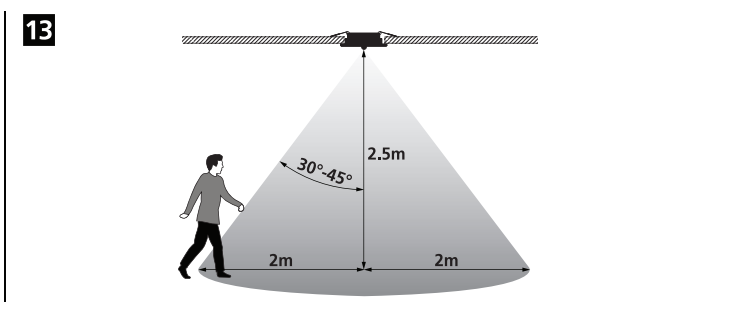
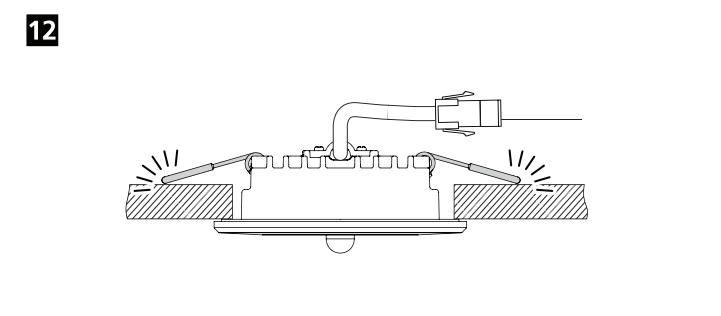
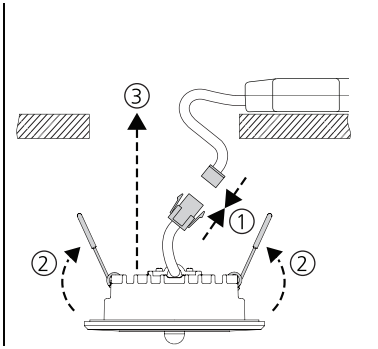
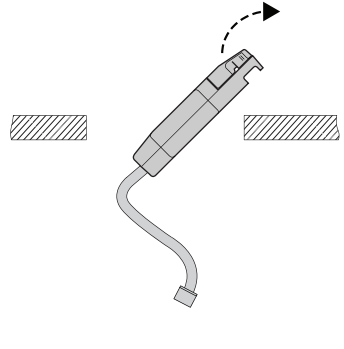
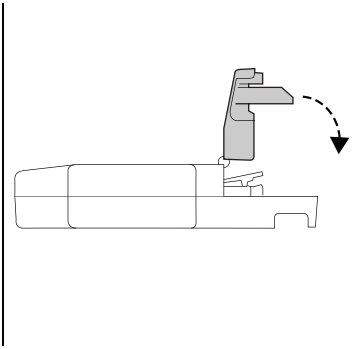
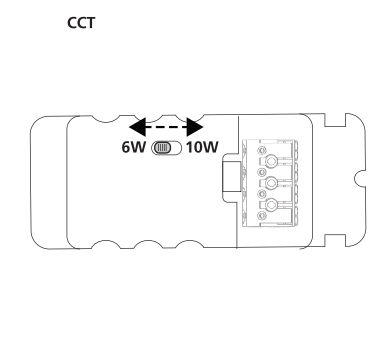
220-240V ~ +

Total Max. 1A

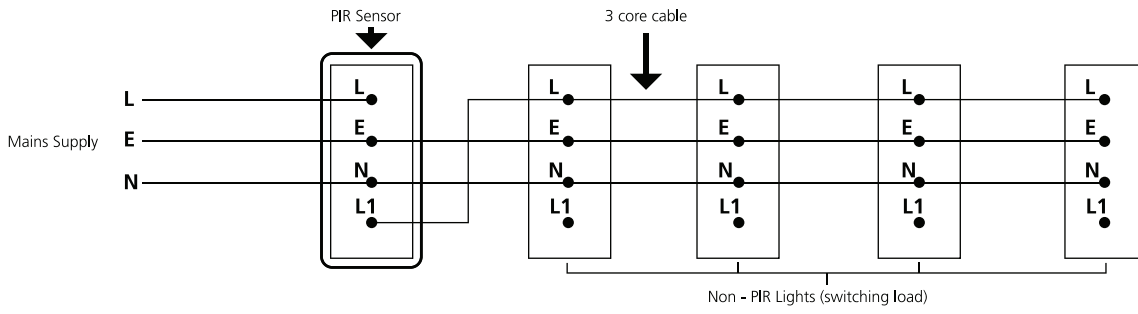
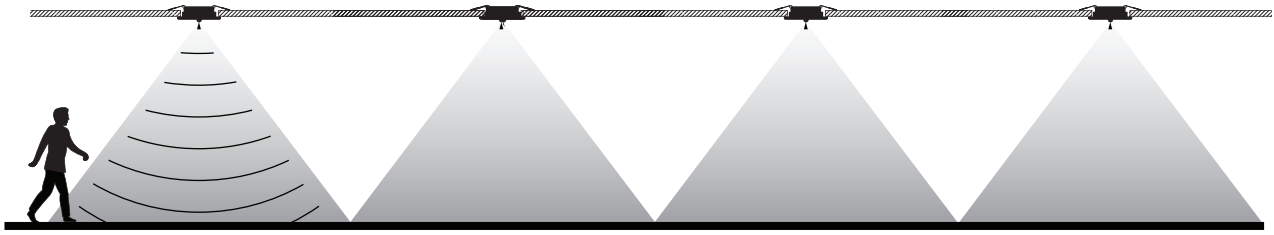
L E N L1

Min. 2 x 0.75mm²
Max. 2 x 1.5mm²

6-7mm
20-25mm



13 Single Master



Y-type

