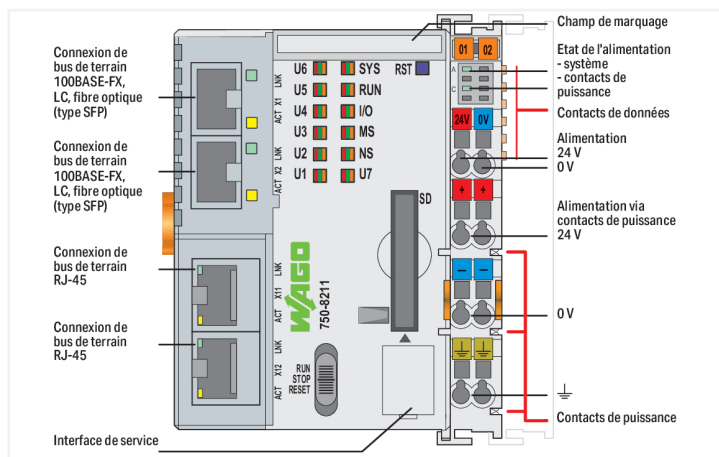


PFC200 Connection Options Overview

Option	Part No.	Description	Notes
1	750-8211	Standard configuration	
2	750-8211-01	Configuration with 2x SFP ports	
3	750-8211-02	Configuration with 2x RJ-45 ports	
4	750-8211-03	Configuration with 2x RJ-45 ports and 2x SFP ports	
5	750-8211-04	Configuration with 2x RJ-45 ports and 2x SFP ports (with specific options)	
6	750-8211-05	Configuration with 2x RJ-45 ports and 2x SFP ports (with specific options)	
7	750-8211-06	Configuration with 2x RJ-45 ports and 2x SFP ports (with specific options)	
8	750-8211-07	Configuration with 2x RJ-45 ports and 2x SFP ports (with specific options)	
9	750-8211-08	Configuration with 2x RJ-45 ports and 2x SFP ports (with specific options)	
10	750-8211-09	Configuration with 2x RJ-45 ports and 2x SFP ports (with specific options)	
11	750-8211-10	Configuration with 2x RJ-45 ports and 2x SFP ports (with specific options)	
12	750-8211-11	Configuration with 2x RJ-45 ports and 2x SFP ports (with specific options)	
13	750-8211-12	Configuration with 2x RJ-45 ports and 2x SFP ports (with specific options)	
14	750-8211-13	Configuration with 2x RJ-45 ports and 2x SFP ports (with specific options)	
15	750-8211-14	Configuration with 2x RJ-45 ports and 2x SFP ports (with specific options)	
16	750-8211-15	Configuration with 2x RJ-45 ports and 2x SFP ports (with specific options)	
17	750-8211-16	Configuration with 2x RJ-45 ports and 2x SFP ports (with specific options)	
18	750-8211-17	Configuration with 2x RJ-45 ports and 2x SFP ports (with specific options)	
19	750-8211-18	Configuration with 2x RJ-45 ports and 2x SFP ports (with specific options)	
20	750-8211-19	Configuration with 2x RJ-45 ports and 2x SFP ports (with specific options)	
21	750-8211-20	Configuration with 2x RJ-45 ports and 2x SFP ports (with specific options)	
22	750-8211-21	Configuration with 2x RJ-45 ports and 2x SFP ports (with specific options)	
23	750-8211-22	Configuration with 2x RJ-45 ports and 2x SFP ports (with specific options)	
24	750-8211-23	Configuration with 2x RJ-45 ports and 2x SFP ports (with specific options)	
25	750-8211-24	Configuration with 2x RJ-45 ports and 2x SFP ports (with specific options)	
26	750-8211-25	Configuration with 2x RJ-45 ports and 2x SFP ports (with specific options)	
27	750-8211-26	Configuration with 2x RJ-45 ports and 2x SFP ports (with specific options)	
28	750-8211-27	Configuration with 2x RJ-45 ports and 2x SFP ports (with specific options)	
29	750-8211-28	Configuration with 2x RJ-45 ports and 2x SFP ports (with specific options)	
30	750-8211-29	Configuration with 2x RJ-45 ports and 2x SFP ports (with specific options)	
31	750-8211-30	Configuration with 2x RJ-45 ports and 2x SFP ports (with specific options)	
32	750-8211-31	Configuration with 2x RJ-45 ports and 2x SFP ports (with specific options)	
33	750-8211-32	Configuration with 2x RJ-45 ports and 2x SFP ports (with specific options)	
34	750-8211-33	Configuration with 2x RJ-45 ports and 2x SFP ports (with specific options)	
35	750-8211-34	Configuration with 2x RJ-45 ports and 2x SFP ports (with specific options)	
36	750-8211-35	Configuration with 2x RJ-45 ports and 2x SFP ports (with specific options)	
37	750-8211-36	Configuration with 2x RJ-45 ports and 2x SFP ports (with specific options)	
38	750-8211-37	Configuration with 2x RJ-45 ports and 2x SFP ports (with specific options)	
39	750-8211-38	Configuration with 2x RJ-45 ports and 2x SFP ports (with specific options)	
40	750-8211-39	Configuration with 2x RJ-45 ports and 2x SFP ports (with specific options)	
41	750-8211-40	Configuration with 2x RJ-45 ports and 2x SFP ports (with specific options)	
42	750-8211-41	Configuration with 2x RJ-45 ports and 2x SFP ports (with specific options)	
43	750-8211-42	Configuration with 2x RJ-45 ports and 2x SFP ports (with specific options)	
44	750-8211-43	Configuration with 2x RJ-45 ports and 2x SFP ports (with specific options)	
45	750-8211-44	Configuration with 2x RJ-45 ports and 2x SFP ports (with specific options)	
46	750-8211-45	Configuration with 2x RJ-45 ports and 2x SFP ports (with specific options)	
47	750-8211-46	Configuration with 2x RJ-45 ports and 2x SFP ports (with specific options)	
48	750-8211-47	Configuration with 2x RJ-45 ports and 2x SFP ports (with specific options)	
49	750-8211-48	Configuration with 2x RJ-45 ports and 2x SFP ports (with specific options)	
50	750-8211-49	Configuration with 2x RJ-45 ports and 2x SFP ports (with specific options)	
51	750-8211-50	Configuration with 2x RJ-45 ports and 2x SFP ports (with specific options)	
52	750-8211-51	Configuration with 2x RJ-45 ports and 2x SFP ports (with specific options)	
53	750-8211-52	Configuration with 2x RJ-45 ports and 2x SFP ports (with specific options)	
54	750-8211-53	Configuration with 2x RJ-45 ports and 2x SFP ports (with specific options)	
55	750-8211-54	Configuration with 2x RJ-45 ports and 2x SFP ports (with specific options)	
56	750-8211-55	Configuration with 2x RJ-45 ports and 2x SFP ports (with specific options)	
57	750-8211-56	Configuration with 2x RJ-45 ports and 2x SFP ports (with specific options)	
58	750-8211-57	Configuration with 2x RJ-45 ports and 2x SFP ports (with specific options)	
59	750-8211-58	Configuration with 2x RJ-45 ports and 2x SFP ports (with specific options)	
60	750-8211-59	Configuration with 2x RJ-45 ports and 2x SFP ports (with specific options)	
61	750-8211-60	Configuration with 2x RJ-45 ports and 2x SFP ports (with specific options)	
62	750-8211-61	Configuration with 2x RJ-45 ports and 2x SFP ports (with specific options)	
63	750-8211-62	Configuration with 2x RJ-45 ports and 2x SFP ports (with specific options)	
64	750-8211-63	Configuration with 2x RJ-45 ports and 2x SFP ports (with specific options)	
65	750-8211-64	Configuration with 2x RJ-45 ports and 2x SFP ports (with specific options)	
66	750-8211-65	Configuration with 2x RJ-45 ports and 2x SFP ports (with specific options)	
67	750-8211-66	Configuration with 2x RJ-45 ports and 2x SFP ports (with specific options)	
68	750-8211-67	Configuration with 2x RJ-45 ports and 2x SFP ports (with specific options)	
69	750-8211-68	Configuration with 2x RJ-45 ports and 2x SFP ports (with specific options)	
70	750-8211-69	Configuration with 2x RJ-45 ports and 2x SFP ports (with specific options)	
71	750-8211-70	Configuration with 2x RJ-45 ports and 2x SFP ports (with specific options)	
72	750-8211-71	Configuration with 2x RJ-45 ports and 2x SFP ports (with specific options)	
73	750-8211-72	Configuration with 2x RJ-45 ports and 2x SFP ports (with specific options)	
74	750-8211-73	Configuration with 2x RJ-45 ports and 2x SFP ports (with specific options)	
75	750-8211-74	Configuration with 2x RJ-45 ports and 2x SFP ports (with specific options)	
76	750-8211-75	Configuration with 2x RJ-45 ports and 2x SFP ports (with specific options)	
77	750-8211-76	Configuration with 2x RJ-45 ports and 2x SFP ports (with specific options)	
78	750-8211-77	Configuration with 2x RJ-45 ports and 2x SFP ports (with specific options)	
79	750-8211-78	Configuration with 2x RJ-45 ports and 2x SFP ports (with specific options)	
80	750-8211-79	Configuration with 2x RJ-45 ports and 2x SFP ports (with specific options)	
81	750-8211-80	Configuration with 2x RJ-45 ports and 2x SFP ports (with specific options)	
82	750-8211-81	Configuration with 2x RJ-45 ports and 2x SFP ports (with specific options)	
83	750-8211-82	Configuration with 2x RJ-45 ports and 2x SFP ports (with specific options)	
84	750-8211-83	Configuration with 2x RJ-45 ports and 2x SFP ports (with specific options)	
85	750-8211-84	Configuration with 2x RJ-45 ports and 2x SFP ports (with specific options)	
86	750-8211-85	Configuration with 2x RJ-45 ports and 2x SFP ports (with specific options)	
87	750-8211-86	Configuration with 2x RJ-45 ports and 2x SFP ports (with specific options)	
88	750-8211-87	Configuration with 2x RJ-45 ports and 2x SFP ports (with specific options)	
89	750-8211-88	Configuration with 2x RJ-45 ports and 2x SFP ports (with specific options)	
90	750-8211-89	Configuration with 2x RJ-45 ports and 2x SFP ports (with specific options)	
91	750-8211-90	Configuration with 2x RJ-45 ports and 2x SFP ports (with specific options)	
92	750-8211-91	Configuration with 2x RJ-45 ports and 2x SFP ports (with specific options)	
93	750-8211-92	Configuration with 2x RJ-45 ports and 2x SFP ports (with specific options)	
94	750-8211-93	Configuration with 2x RJ-45 ports and 2x SFP ports (with specific options)	
95	750-8211-94	Configuration with 2x RJ-45 ports and 2x SFP ports (with specific options)	
96	750-8211-95	Configuration with 2x RJ-45 ports and 2x SFP ports (with specific options)	
97	750-8211-96	Configuration with 2x RJ-45 ports and 2x SFP ports (with specific options)	
98	750-8211-97	Configuration with 2x RJ-45 ports and 2x SFP ports (with specific options)	
99	750-8211-98	Configuration with 2x RJ-45 ports and 2x SFP ports (with specific options)	
100	750-8211-99	Configuration with 2x RJ-45 ports and 2x SFP ports (with specific options)	



Le contrôleur PFC200 est un automate compact du système modulaire WAGO I/O System. En plus des interfaces réseau et de bus de terrain, il supporte des bornes digitales, analogiques ainsi que des bornes spécifiques des séries 750/753.  
 Les deux interfaces ETHERNET et les deux ports SFP permettent le câblage dans une topologie en ligne.  
 Un serveur Web intégré offre à l'utilisateur des possibilités de configuration et des informations sur l'état du PFC200.  
 Applications typiques du PFC200 : utilisation dans l'industrie de process, de l'automatisme du bâtiment, pour les machines et la construction d'équipements, telles que des installations d'emballage, de remplissage, de textile, de fabrication, de traitement du métal et du bois.

Avantages :

- Programmation selon CEI 61131-3
- Programmable avec CODESYS V3.5 à partir du Firmware Release 23, WAGO-I/O-PRO V2.3 ou **e!COCKPIT** jusqu'au Firmware Release 22
- Connexion directe des bornes d'E/S WAGO
- 2 x ETHERNET, 2 x Ports-SFP
- Système d'exploitation Linux® avec RT-Preemption-Patch
- Configuration avec CODESYS, **e!COCKPIT** ou depuis l'interface de gestion Web
- Sans entretien

**Données techniques**

Communication	Protocole de télécontrôle, <b>nécessite une licence supplémentaire</b> EtherNet/IP™ Scanner Maître EtherCAT OPC UA Serveur/Client OPC UA Pub/Sub (réinstallable) MQTT BACnet/IP, <b>nécessite une licence supplémentaire</b> MODBUS-TCP Maître/ Esclave Modbus (UDP), Bibliothèque WagoAppPlcModbus Modbus (RTU), bibliothèque WagoAppPlcModbus ETHERNET EtherNet/IP™-Adapter (Esclave)
---------------	--

## Données techniques

Protocole Ethernet	DHCP HTTPS SSH DNS NTP FTP FTPS SNMP HTTP
Protocoles de télécontrôle	CEI 60870 (licence supplémentaire comme esclave ou maître) CEI 61850 (licence supplémentaire comme client ou serveur) DNP3 (licence supplémentaire comme esclave ou maître)
Visualisation	Visualisation Web
Système d'exploitation	Linux Temps réel (avec patch préemption RT)
CPU	Cortex A8 ; 1 GHz
Langages de programmation selon CEI 61131-3	Schéma à contacts (LD) Diagramme de blocs fonctionnels (FUP) Continuous Function Chart (CFC) Structuré (ST) Grafcet (SFC) Liste d'instructions (IL)
Environnement de programmation	CODESYS V3.5, à partir de la version de firmware 23 <b>e!</b> COCKPIT (basé sur CODESYS V3), jusqu'à la version de firmware 22 WAGO-I/O-PRO V2.3 (basé sur CODESYS V2.3) jusqu'à la version de firmware 22
Possibilités de configuration	Web-Based-Management Bibliothèque <b>e!</b> RUNTIME Bibliothèque CODESYS CODESYS 3 <b>e!</b> COCKPIT WAGO-I/O-CHECK
Vitesse de transmission	ETHERNET: 10/100 Mbit/s; Fibre de verre:100 Mbit/s
Moyen de transmission (Communication/bus de terrain)	ETHERNET: Paire de conducteurs torsadés S-UTP 100 Ω Cat 5 ; 100 m Longueur du conducteur max.
Mémoire principale (RAM)	512 MB
Mémoire interne (Flash)	4096 MB
Mémoire sauvegardée matériel	128 KB
Mémoire programme	CODESYS V2: 16 MB; CODESYS V3: 32 MB
Mémoire données	CODESYS V2: 64 MB; CODESYS V3: 128 MB
Mémoire sauvegardée logiciel	128 KB 128 KB
Type de cartes mémoire	SD et SDHC jusqu'à 32 GB (les caractéristiques ne sont garanties et valables que pour les cartes mémoire WAGO).
Carte mémoire - Embase	Mécanisme push/push ; volet de recouvrement plombable
Nombre de bornes d'E/S par nœud max.	250
Nombre de bornes sans prolongation de bus max.	64
Table image d'entrées/de sorties (interne) max.	1000 mots/1000 mots
Table image d'entrées/de sorties (Modbus®) max.	CODESYS V2: 1000 mots/1000 mots; CODESYS V3: 32000 mots/32000 mots
Éléments d'affichage	LED (SYS, RUN, I/O, U1 ... U7) rouge/verte/orange : état système, programme, bus interne, état programmable par l'utilisateur (utilisable par une bibliothèque CODESYS) ; LED (A, C) verte : état alimentation système, alimentation terrain
Tension d'alimentation système	24 V DC (-25 ... +30 %) ; sur niveau de câblage (connexion CAGE CLAMP®)
Courant d'entrée typ. en charge (24 V)	550 mA
Courant total pour alimentation système	1700 mA
Tension d'alimentation terrain	24 V DC (-25 ... +30 %) ; via contacts de puissance
Capacité de charge en courant des contacts de puissance	10 A
Nombre de contacts de puissance, sortant	3
Séparation de potentiel	500 V système/terrain

### Données de raccordement

Technique de connexion : communication/bus de terrain	Modbus (TCP, UDP): 2 x RJ-45; 2 x Slots SFP (par ex. avec module SFP et connecteur fibre optique LC)
Type de connexion : alimentation système	2 x CAGE CLAMP®
Technique de raccordement : alimentation coté terrain	6 x CAGE CLAMP®
Matière plastique conducteur raccordable	Cuivre
Type de connexion 1	Alimentations système/terrain
Conducteur rigide	0,08 ... 2,5 mm <sup>2</sup> / 28 ... 14 AWG
Conducteur souple	0,08 ... 2,5 mm <sup>2</sup> / 28 ... 14 AWG
Longueur de dénudage	8 ... 9 mm / 0.31 ... 0.35 inch
Technique de raccordement : configuration d'appareils	1 x Connecteur mâle ; 4 pôles

### Données géométriques

Largeur	78,6 mm / 3.094 inch
Hauteur	100 mm / 3.937 inch
Profondeur	71,9 mm / 2.831 inch
Prof. à partir du niveau supérieur du rail	64,7 mm / 2.547 inch

### Données mécaniques

Poids	332,5 g
Matériel de l'enveloppe	Polycarbonate, polyamide 6.6
Marquage de conformité	CE

### Conditions d'environnement

Température ambiante (fonctionnement)	0 ... +55 °C
Température ambiante (stockage)	-25 ... +85 °C
Indice de protection	IP20
Degré de pollution	2 selon CEI 61131-2
Altitude de fonctionnement	
Humidité relative (sans condensation)	95 %
Position de montage	Horizontal left, horizontal right, horizontal top, horizontal bottom, vertical top and vertical bottom
Type de montage	Rail 35
Résistance aux vibrations	0,7g (selon EN 60068-2-6)
Résistance aux chocs	15g selon CEI 60068-2-27
CEM – Susceptibilité en réception	selon EN 61000-6-2, secteur naval
CEM – En émission	selon EN 61000-6-3, secteur naval
Contrainte par matières polluantes	selon CEI 60068-2-42 et CEI 60068-2-43
Charge calorifique	2,516 MJ
Concentration maximale en matière polluante H <sub>2</sub> S admise à une humidité relative 75 %	10 ppm
Concentration maximale en matière polluante SO <sub>2</sub> admise à une humidité relative 75 %	25 ppm

### Données commerciales

ETIM 9.0	EC000236
ETIM 8.0	EC000236
Unité d'emb. (SUE)	1 pce(s)
Type d'emballage	Carton
Pays d'origine	DE
GTIN	4066966100921
Numéro du tarif douanier	8537109190

### Conformité environnementale du produit

CAS-No.	1317-36-8 693-98-1 7439-92-1 79-94-7 80-43-3 1303-86-2
Liste des substances candidates REACH	2,2',6,6'-tetrabromo-4,4'-isopropylidenediphenol 2-methylimidazole Diboron trioxide Lead Lead monoxide Perfluorobutane sulfonic acid (PFBS) and its salts Peroxide, bis(1-methyl-1-phenylethyl)
État de conformité RoHS	Compliant, With Exemption
Exemption RoHS	6(c) 7(a) 7(c)-I 7(c)-II
SCIP notification number (Autriche)	80f09ad6-df7e-4284-9cf5-75ab02a1e9f9
SCIP notification number (Belgique)	39e0b9b1-3c08-42f9-bf95-b8b126502520
SCIP notification number (Bulgarie)	c322ba8c-d43d-4418-9122-21e4473bb04d
SCIP notification number (République tchèque)	8448b964-4fd2-4d4c-88a6-7e42981c89a8
SCIP notification number (Danemark)	576d6efa-59e2-4aa4-a257-b426630ed3a4
SCIP notification number (Finlande)	23830b4c-4ad1-46ef-8f77-3d0165c22fde
SCIP notification number (France)	b5b6406d-cf13-4ce0-a1ff-a927e527b03d
SCIP notification number (Allemagne)	1930370f-a393-4944-9b3e-517a809ad29e
SCIP notification number (Hongrie)	ee9f3829-663d-49e1-b944-e397c1d7cbbf
SCIP notification number (Italie)	6ced73bb-a535-45a3-9cac-8de684ba94fc
SCIP notification number (Pays bas)	f10aa43e-ac0f-4573-80dd-ae524bfc4b14
SCIP notification number (Pologne)	4a48e489-2691-4be0-87fd-99beece23e60
SCIP notification number (Roumanie)	2af377a7-80f8-44a4-b8a9-4ac07051e8d0
SCIP notification number (Suède)	7f04045f-1b2e-4f85-b2c0-fbf109508275

### Approbations / certificats

#### Homologations générales



Homologation	Norme	Nom du certificat
EAC GZO Almaty Standart	TP TC 020/2011	EAC CoC 03083
KC National Radio Research Agency	Article 58-2, Clause 3	MSIP-REM-W43-PFC750
UL Underwriters Laboratories Inc. (ORDINARY LOCATIONS)	-	E175199

#### Déclarations de conformité et de fabricant

Homologation	Norme	Nom du certificat
EU-Declaration of Conformity WAGO GmbH & Co. KG	-	-

#### Homologations pour le secteur marine



Homologation	Norme	Nom du certificat
BSH Bundesamt fuer Seeschifffahrt und Hydrographie	-	1104
BV Bureau Veritas S.A.	Rules for class. of Steel Ships	66711/A0

#### Homologations pour le secteur marine

DNV DNV GL SE	DNV-CG-0339, Aug. 2021	TAA0000194
KR Korean Register of Shipping	-	KR HMB05880-AC001
PRS Polski Rejestr Statków	-	TE/1101/880590/23

## Téléchargements

### Conformité environnementale du produit

#### Recherche de conformité

Environmental Product Compliance 750-8211



## Documentation

### Manuel

Function Manual for PFC100 2nd Generation, PFC200 2nd Generation and PFC300 | 3621366155 | 2 | en-US | 2024-12-16 12:45 | 16.12.2024 | pdf | 4012.25 KB |

Product Manual PFC200; G2; 2ETH 2SFP | 2325228427 | 2 | en-US | 8/6/2024 10:00 | 07.08.2024 | pdf | 3434.10 KB |

#### Système E/S 750/753



Product Manual OPC UA Mapping Editor | V 1.1.0 | 11.03.2022 | pdf | 3314.23 KB |

#### OPC-UA Mapping Editor



Migration Guide | V 1.3.0 | 03.07.2023 | pdf | 4938.74 KB |

Migrationsleitfaden von e!COCKPIT-Projekten zu CODESYS V3.5



### Description du système

Overview on WAGO-I/O-SYSTEM 750 approvals | pdf | 192.00 KB |

Contrôleurs PFC100/PFC200, Informations générales des produits | pdf | 550.76 KB |

### Informations complémentaires

WAGO OPC UA Server | V 1.1.0 | 28.01.2021 | pdf | 1132.87 KB |

### Texte complémentaire

ausschreiben.de 750-8211 |

## Données CAD/CAE

### Données CAD

2D/3D Models 750-8211 |

### Données CAE

EPLAN Data Portal 750-8211 |

ZUKEN Portal 750-8211 |

## Logiciel d'ingénierie

### Logiciel de configuration et de mise en service

CODESYS V3.5 | png | 315.13 KB |

WAGO-IO-PRO Demo-Version (759-912) / Serie 750, 758 und 762 | V 2.3.9.68 | 17.02.2022 | zip | 122524.17 KB |

(759-316) WAGO Ethernet Settings / Serie 750 | 06.18.01.01 | 02.09.2021 | zip | 26678.54 KB |

WAGUpload | 1.16.1.0 | 02.02.2022 | zip | 12111.45 KB |

## Logiciel d'exécution

Firmware			
Image Update (SD Karte) PFC100/200 für Codesys V2.3 u. Elcockpit	V 22 SP1 12.12.2022	zip 205815.20 KB	
PFC200, Firmware Update für CoDeSys V3.5	V 23 24.02.2023	zip 167985.38 KB	
WUP Update (WAGOUploadTool) PFC100/200 Codesys V2.3 u. Elcockpit	V 22 SP1 12.12.2022	zip 203580.70 KB	

## 1 Produits correspondants

### 1.1 Extensions de produit

#### 1.1.1 Logiciel d'exécution (Runtime)



**Réf.: 2759-2283/211-1000**  
Runtime; BACnet; 300; M; Single License; Online activation



**Réf.: 2759-2273/211-1000**  
Runtime; BACnet; 300; S; Single License; Online activation



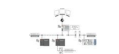
**Réf.: 2759-283/211-1000**  
Runtime; BACnet; 300; Single License; Online activation



**Réf.: 2759-2293/211-1000**  
Runtime; DNP3 Master; M; Single License; Online activation



**Réf.: 2759-2290/211-1000**  
Runtime; DNP3 Slave; Single License; Online activation



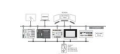
**Réf.: 2759-293/211-1000**  
Runtime; IEC60870 Master; M; Single License; Online activation



**Réf.: 2759-290/211-1000**  
Runtime; IEC60870 Slave; Single License; Online activation



**Réf.: 2759-2243/211-1000**  
Runtime; IEC61850 Client; M; Single License; Online activation



**Réf.: 2759-2240/211-1000**  
Runtime; IEC61850 Server; Single License; Online activation



**Réf.: 2759-248/211-1000**  
Runtime; Multi Cloud Connectivity; Single License; Online activation



**Réf.: 2759-247/211-1000**  
Runtime; Sparkplug; Single License; Online activation

### 1.2 Accessoires en option

#### 1.2.1 Boîtier

##### 1.2.1.1 Boîtier



**Réf.: 850-825**  
Boîtier avec indice de protection IP65; Aluminium (RAL 7032); LxHx-Prof.(160x100x160 mm); 9 x M12, 4 x M20



**Réf.: 850-826**  
Boîtier avec indice de protection IP65; Aluminium (RAL 7032); LxHx-Prof.(240x100x160 mm); Presse-étoupes 4 x M20, 4 x M16, 14 x M12



**Réf.: 850-827**  
Boîtier avec indice de protection IP65; Aluminium (RAL 7032); LxHx-Prof.(320x100x160 mm); Presse-étoupes 4 x M20, 8 x M16, 17 x M12



**Réf.: 850-828**  
Boîtier avec indice de protection IP65; Aluminium (RAL 7032); LxHx-Prof.(480x100x160 mm); Presse-étoupes 4 x M20, 10 x M16, 35 x M12



**Réf.: 850-826/002-000**  
Boîtier avec indice de protection IP65; Aluminium (RAL 7035); LxHx-Prof.(240x100x160 mm); Presse-étoupes 4 x M20, 4 x M16, 14 x M12



**Réf.: 850-827/002-000**  
Boîtier avec indice de protection IP65; Aluminium (RAL 7035); LxHx-Prof.(320x100x160 mm); Presse-étoupes 4 x M20, 8 x M16, 17 x M12



**Réf.: 850-828/002-000**  
Boîtier avec indice de protection IP65; Aluminium (RAL 7035); LxHx-Prof.(480x100x160 mm); Presse-étoupes 4 x M20, 10 x M16, 35 x M12



**Réf.: 850-834**  
Boîtier avec indice de protection IP65; Polyester (RAL 7032); LxHx-Prof.(164x100x164 mm); 9 x M12, 4 x M20



**Réf.: 850-835**  
Boîtier avec indice de protection IP65; Polyester (RAL 7032); LxHx-Prof.(244x100x164 mm); Presse-étoupes 4 x M20, 4 x M16, 14 x M12



**Réf.: 850-836**  
Boîtier avec indice de protection IP65; Polyester (RAL 7032); LxHx-Prof.(324x100x164 mm); Presse-étoupes 4 x M20, 8 x M16, 17 x M12



**Réf.: 850-814/002-000**  
Boîtier avec indice de protection IP65; tôle d'acier (RAL 7035); LxHx-Prof.(200x120x200 mm); sans plaque pour presse-étoupes



**Réf.: 850-815/002-000**  
Boîtier avec indice de protection IP65; tôle d'acier (RAL 7035); LxHx-Prof.(300x120x200 mm); sans plaque pour presse-étoupes

### 1.2.1.1 Boîtier



**Réf.: 850-816/002-000**

Boîtier avec indice de protection IP65; tôle d'acier (RAL 7035); LxHx-Prof.(400x120x200 mm); sans plaque pour presse-étoupes

**Réf.: 850-817/002-000**

Boîtier avec indice de protection IP65; tôle d'acier (RAL 7035); LxHx-Prof.(600x120x200 mm); sans plaque pour presse-étoupes

### 1.2.2 Câbles et connecteurs

#### 1.2.2.1 Connecteur de raccordement



**Réf.: 750-979/000-011**

Connecteur ETHERNET; RJ-45; Cat. 6A; coudé; Code T568A; AWG 22; Décharge de traction



**Réf.: 750-979/000-021**

Connecteur ETHERNET; RJ-45; Cat. 6A; coudé; Code T568A; AWG 24; Décharge de traction



**Réf.: 750-979/000-012**

Connecteur ETHERNET; RJ-45; Cat. 6A; coudé; Code T568B; AWG 22; Décharge de traction



**Réf.: 750-979/000-022**

Connecteur ETHERNET; RJ-45; Cat. 6A; coudé; Code T568B; AWG 24; Décharge de traction



**Réf.: 750-977/000-011**

Connecteur ETHERNET; RJ-45; Cat. 6A; droit; Code T568A; AWG 22



**Réf.: 750-978/000-011**

Connecteur ETHERNET; RJ-45; Cat. 6A; droit; Code T568A; AWG 22; Décharge de traction



**Réf.: 750-977/000-021**

Connecteur ETHERNET; RJ-45; Cat. 6A; droit; Code T568A; AWG 24



**Réf.: 750-978/000-021**

Connecteur ETHERNET; RJ-45; Cat. 6A; droit; Code T568A; AWG 24; Décharge de traction



**Réf.: 750-977/000-012**

Connecteur ETHERNET; RJ-45; Cat. 6A; droit; Code T568B; AWG 22



**Réf.: 750-978/000-012**

Connecteur ETHERNET; RJ-45; Cat. 6A; droit; Code T568B; AWG 22; Décharge de traction



**Réf.: 750-977/000-022**

Connecteur ETHERNET; RJ-45; Cat. 6A; droit; Code T568B; AWG 24



**Réf.: 750-978/000-022**

Connecteur ETHERNET; RJ-45; Cat. 6A; droit; Code T568B; AWG 24; Décharge de traction



**Réf.: 750-975**

Connecteur ETHERNET RJ-45 avec indice de protection IP20; ETHERNET 10/100 Mb/s; équipement selon le type de bus de terrain

### 1.2.3 Carte mémoire

#### 1.2.3.1 Carte mémoire



**Réf.: 758-879/000-2108**

Carte mémoire SD; pSLC-NAND; 8 GB; Plage de température -40 ... 90 °C



**Réf.: 758-879/000-001**

Carte mémoire SD; SLC-NAND; 2 GByte; Température -40 ... 90°C

### 1.2.4 Communication

#### 1.2.4.1 Câble de communication



**Réf.: 750-923**

Câble de configuration; Connexion USB; Longueur 2,5 m



**Réf.: 750-923/000-001**

Câble de configuration; Connexion USB; Longueur 5 m

## 1.2.5 Connecteur mâle

### 1.2.5.1 Module SFP



**Réf.: 852-202**

Module SFP 100Base; FX Multi-Mode  
1310 nm LC; 2 km; DDM; Extrem; couleurs  
argent

## 1.2.6 Logiciel

### 1.2.6.1 Applications logicielles



**Réf.: 2759-2015/260-1000**

Application Grid Gateway; Single License



**Réf.: 2759-2015/261-1000**

Application Grid Gateway; Single License;  
Online activation

### 1.2.6.2 Version de base



**Réf.: 2759-101/1110-4000**

e!COCKPIT; Buy-out License



**Réf.: 2759-101/1110-2005**

e!COCKPIT; Multi-User License; 05 pcs



**Réf.: 2759-101/1110-2010**

e!COCKPIT; Multi-User License; 10 pcs



**Réf.: 2759-101/1110-2015**

e!COCKPIT; Multi-User License; 15 pcs



**Réf.: 2759-101/1110-2020**

e!COCKPIT; Multi-User License; 20 pcs



**Réf.: 2759-101/1110-3000**

e!COCKPIT; Site License



**Réf.: 2759-101/1110-2002**

e!COCKPIT; Workstation License

## 1.2.7 Raccordement de blindage

### 1.2.7.1 Étrier de blindage



**Réf.: 790-140**

Etrier de serrage de blindage; Diamètre de  
blindage



**Réf.: 790-108**

Etrier de serrage de blindage; Largeur 11  
mm; Diamètre de blindage; 3 ... 8 mm



**Réf.: 790-208**

Etrier de serrage de blindage; Largeur  
12,4 mm; 3 ... 8 mm



**Réf.: 790-116**

Etrier de serrage de blindage; Largeur 19  
mm; Diamètre de blindage; 7 ... 16 mm



**Réf.: 790-216**

Etrier de serrage de blindage; Largeur  
21,8 mm; 6 ... 16 mm



**Réf.: 790-124**

Etrier de serrage de blindage; Largeur 27  
mm; Diamètre de blindage; 6 ... 24 mm



**Réf.: 790-220**

Etrier de serrage de blindage; Largeur de  
30 mm; 6 ... 20 mm

## 1.2.8 Rail

### 1.2.8.1 Matériel de montage



**Réf.: 210-114**

Rail acier; 35 x 15; épaisseur 1,5 mm; lon-  
gueur 2 m; non perforé; d'après EN 60715;  
couleurs argent



**Réf.: 210-506**

Rail acier; 35 x 15; épaisseur 1,5 mm; lon-  
gueur 2 m; non perforé; galvanisation de  
bandes; d'après EN 60715; couleurs ar-  
gent



**Réf.: 210-197**

Rail acier; 35 x 15; épaisseur 1,5 mm; lon-  
gueur 2 m; perforé; d'après EN 60715;  
couleurs argent



**Réf.: 210-508**

Rail acier; 35 x 15; épaisseur 1,5 mm; lon-  
gueur 2 m; perforé; galvanisation de ban-  
des; d'après EN 60715; couleurs argent



### 1.2.8.1 Matériel de montage



**Réf.: 210-118**

Rail acier; 35 x 15; épaisseur 2,3 mm; longueur 2 m; non perforé; d'après EN 60715; couleurs argent



**Réf.: 210-113**

Rail acier; 35 x 7,5; épaisseur 1 mm; longueur 2 m; non perforé; d'après EN 60715; couleurs argent



**Réf.: 210-505**

Rail acier; 35 x 7,5; épaisseur 1 mm; longueur 2 m; non perforé; galvanisation de bandes; d'après EN 60715; couleurs argent



**Réf.: 210-115**

Rail acier; 35 x 7,5; épaisseur 1 mm; longueur 2 m; perforé; d'après EN 60715; Largeur de trou 18 mm; pas des trous 25 mm; couleurs argent



**Réf.: 210-112**

Rail acier; 35 x 7,5; épaisseur 1 mm; longueur 2 m; perforé; d'après EN 60715; Largeur de trou 25 mm; pas des trous 36 mm; couleurs argent



**Réf.: 210-504**

Rail acier; 35 x 7,5; épaisseur 1 mm; longueur 2 m; perforé; galvanisation de bandes; d'après EN 60715; couleurs argent



**Réf.: 210-196**

Rail aluminium; 35 x 8,2; épaisseur 1,6 mm; longueur 2 m; non perforé; d'après EN 60715; couleurs argent



**Réf.: 210-198**

Rail en cuivre; 35 x 15; épaisseur 2,3 mm; longueur 2 m; non perforé; d'après EN 60715; couleurs cuivre

### 1.2.9 Repérage

#### 1.2.9.1 Adaptateur de repérage



**Réf.: 750-103**

Porte-étiquettes de groupe

#### 1.2.9.2 Étiquette de marquage



**Réf.: 248-501**

Carte de repérage mini WSB; en carte; non extensible; vierge; encliquetable; blanc



**Réf.: 248-501/000-006**

Carte de repérage mini WSB; en carte; non extensible; vierge; encliquetable; bleu



**Réf.: 248-501/000-007**

Carte de repérage mini WSB; en carte; non extensible; vierge; encliquetable; gris



**Réf.: 248-501/000-002**

Carte de repérage mini WSB; en carte; non extensible; vierge; encliquetable; jaune



**Réf.: 248-501/000-012**

Carte de repérage mini WSB; en carte; non extensible; vierge; encliquetable; orange



**Réf.: 248-501/000-005**

Carte de repérage mini WSB; en carte; non extensible; vierge; encliquetable; rouge



**Réf.: 248-501/000-023**

Carte de repérage mini WSB; en carte; non extensible; vierge; encliquetable; vert



**Réf.: 248-501/000-017**

Carte de repérage mini WSB; en carte; non extensible; vierge; encliquetable; vert clair



**Réf.: 248-501/000-024**

Carte de repérage mini WSB; en carte; non extensible; vierge; encliquetable; violet

**Réf.: 2009-145**

Mini-WSB Inline; pour Smart Printer; 1700 pièces sur rouleau; extensible 5 - 5,2 MM; vierge; encliquetable; blanc

**Réf.: 2009-145/000-006**

Mini-WSB Inline; pour Smart Printer; 1700 pièces sur rouleau; extensible 5 - 5,2 MM; vierge; encliquetable; bleu

**Réf.: 2009-145/000-007**

Mini-WSB Inline; pour Smart Printer; 1700 pièces sur rouleau; extensible 5 - 5,2 MM; vierge; encliquetable; gris

**Réf.: 2009-145/000-002**

Mini-WSB Inline; pour Smart Printer; 1700 pièces sur rouleau; extensible 5 - 5,2 MM; vierge; encliquetable; jaune

**Réf.: 2009-145/000-012**

Mini-WSB Inline; pour Smart Printer; 1700 pièces sur rouleau; extensible 5 - 5,2 MM; vierge; encliquetable; orange

**Réf.: 2009-145/000-005**

Mini-WSB Inline; pour Smart Printer; 1700 pièces sur rouleau; extensible 5 - 5,2 MM; vierge; encliquetable; rouge

**Réf.: 2009-145/000-023**

Mini-WSB Inline; pour Smart Printer; 1700 pièces sur rouleau; extensible 5 - 5,2 MM; vierge; encliquetable; vert

**Réf.: 2009-145/000-024**

Mini-WSB Inline; pour Smart Printer; 1700 pièces sur rouleau; extensible 5 - 5,2 MM; vierge; encliquetable; violet

### 1.2.9.3 Porte-étiquettes de groupe



Réf: [750-107](#)

Porte-étiquettes de groupe